

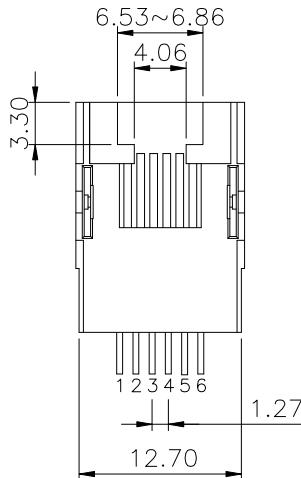
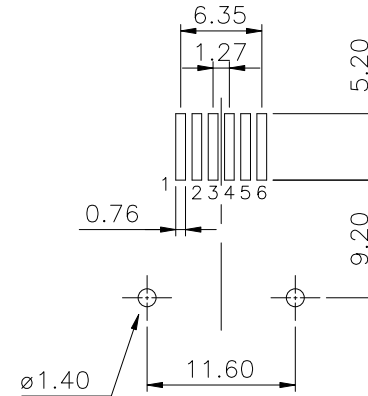
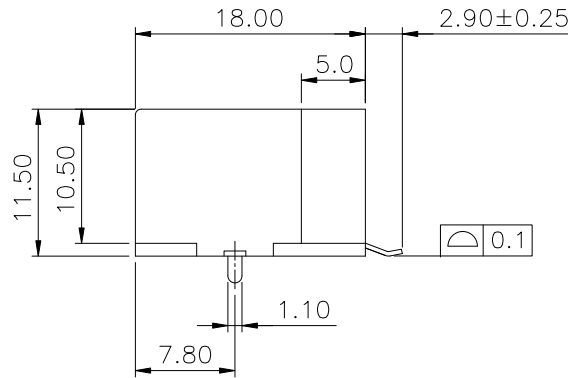
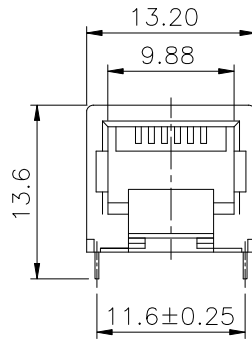
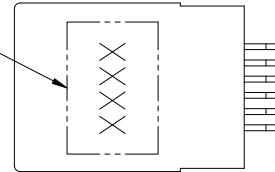
PRODUCT NUMBER	CONTACT AREA GOLD PLATING	PACKING
10122975-001LF	Min. 0.76µm [30µ"]	TRAY (SHEET 2)
10122975-002LF	Min. 1.27µm [50µ"]	TRAY (SHEET 2)
10122975-101LF	Min. 0.76µm [30µ"]	TAPE&REEL (SHEET 3)
10122975-102LF	Min. 1.27µm [50µ"]	TAPE&REEL (SHEET 3)

RoHS Compliance

MATERIAL:

- HOUSING-PA9T GN2330
HEAT RESISTANT PLOYAMIDE RESIN
BLACK COLOR, UL94V-0
- INSERT HOUSING-DSM STANYL TE250F6 (NYLON-46)
HEAT DEFLECTION TEMP.290°
BLACK COLOR, UL94V-0.
- CONTACTS-0.35mm THICK PHOS-BRONZE
PLATED WITH HARD GOLD(SEE TABLE) AND
GOLD FLASH IN SOLDER AREA.
- HOLD DOWN-0.30mm THICK COPPER ALLOY,
PLATED WITH TIN.

PRINT DATE CODE



"DATE CODE" DESCRIPTION:
XXXX
└── WEEK
└── YEAR(EX: 14--2014)

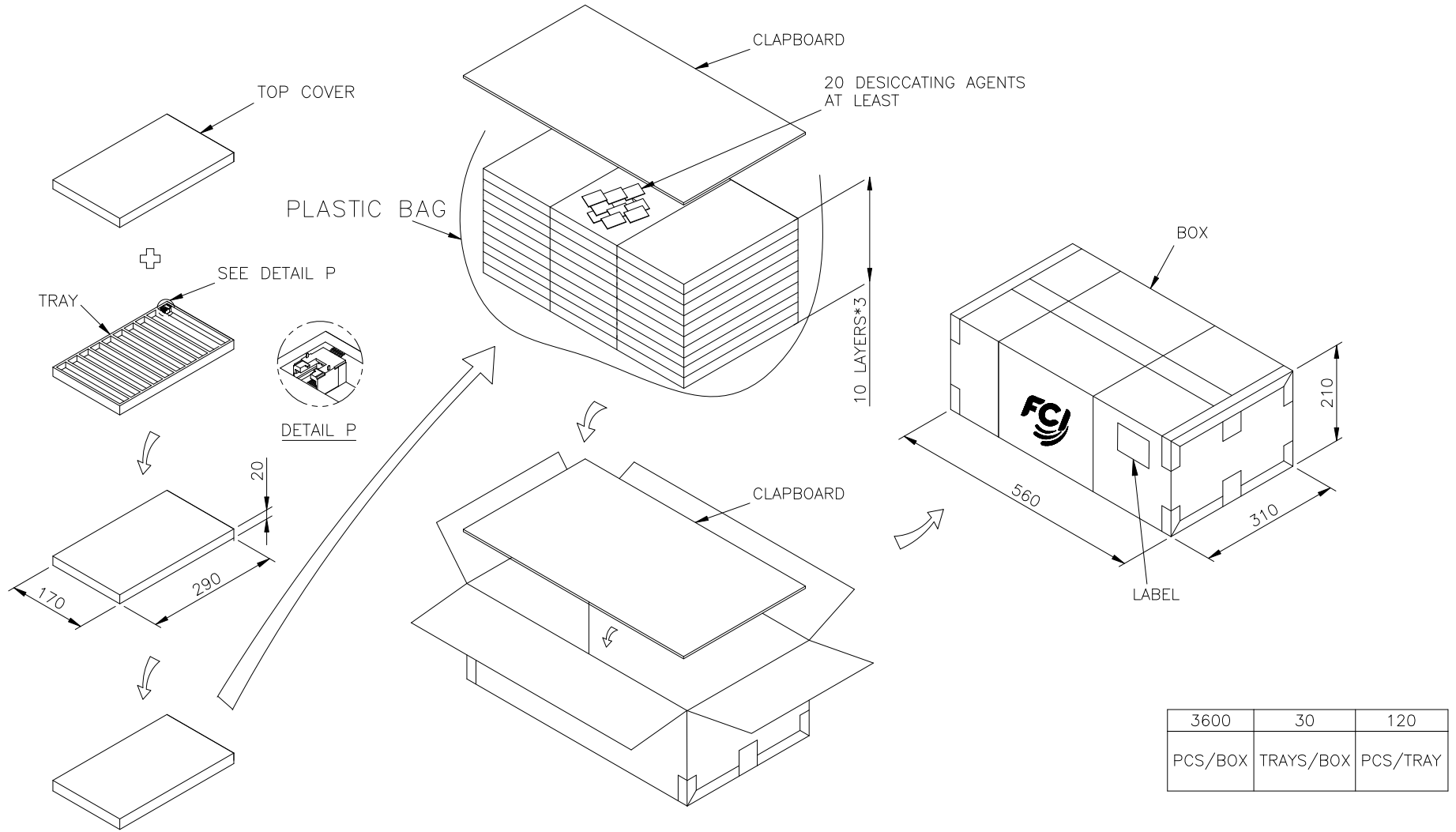
PCB LAYOUT Ref.

mat'l. code		surface ASME Y14.5 ✓		tolerance ASME Y14.5		projection MM [INCH]		product family RJ11 CONNECTOR	
ltr		ecn no		dr		date		title RJ11, SMT TYPE SIDE ENTRY PCB JACK	
A				TAI		2014-09-17			
				angles		tolerances unless otherwise specified			
				X°±1°		X.±0.5 X.X±0.25 X.XX±0.13			
				dr		BEER FU		2013-12-27	
				enr		BEER FU		2013-12-27	
				chr		BEER FU		2013-12-27	
				appd		BEER FU		2013-12-27	
sheet index		revision sheet		A		A		A	
				1		2		3	





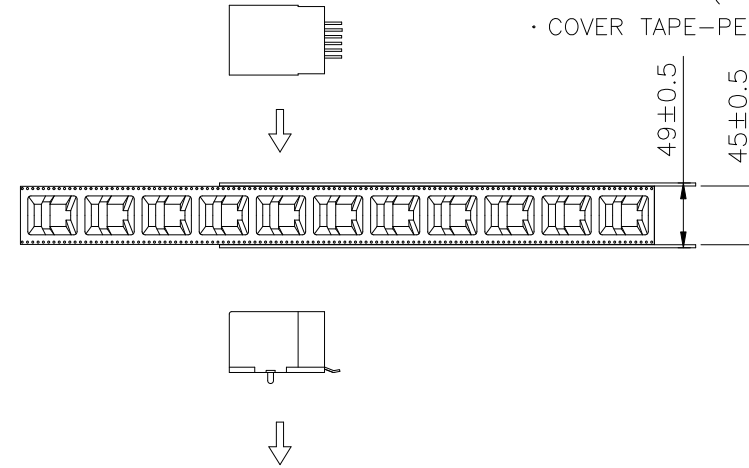
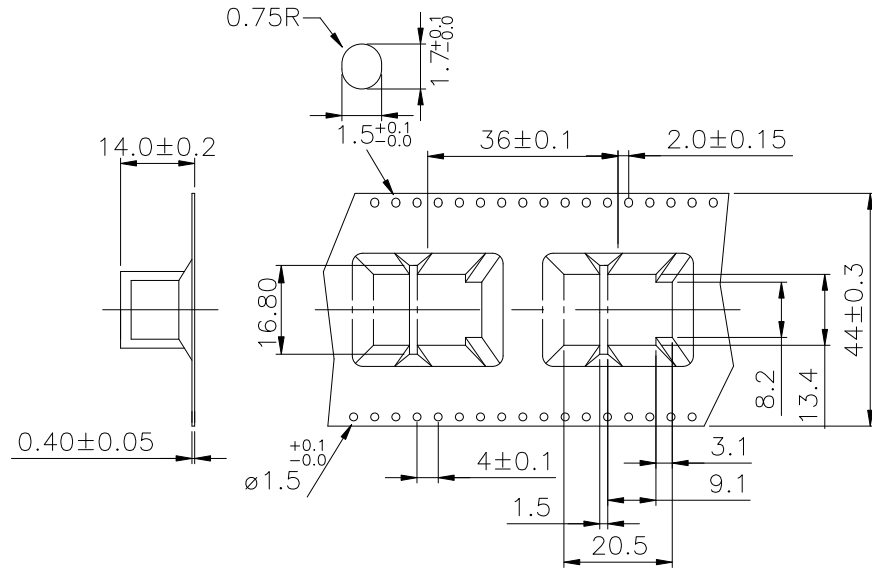
PRODUCT NUMBER	CONTACT AREA GOLD PLATING	PACKING
10122975-001LF	Min. 0.76µm [30µ"]	TRAY (SHEET 2)
10122975-002LF	Min. 1.27µm [50µ"]	TRAY (SHEET 2)



	dwg no	sheet 2 of 3	size
	10122975		A4
	type	CUSTOMER Drawing	

sheet index	revision sheet	A 1	A 2	A 3																
-------------	----------------	-----	-----	-----	--	--	--	--	--	--	--	--	--	--	--	--	--	--	--	--

PRODUCT NUMBER	CONTACT AREA GOLD PLATING	PACKING
10122975-101LF	Min. 0.76μm [30μ"]	TAPE&REEL (SHEET 3)
10122975-102LF	Min. 1.27μm [50μ"]	TAPE&REEL (SHEET 3)

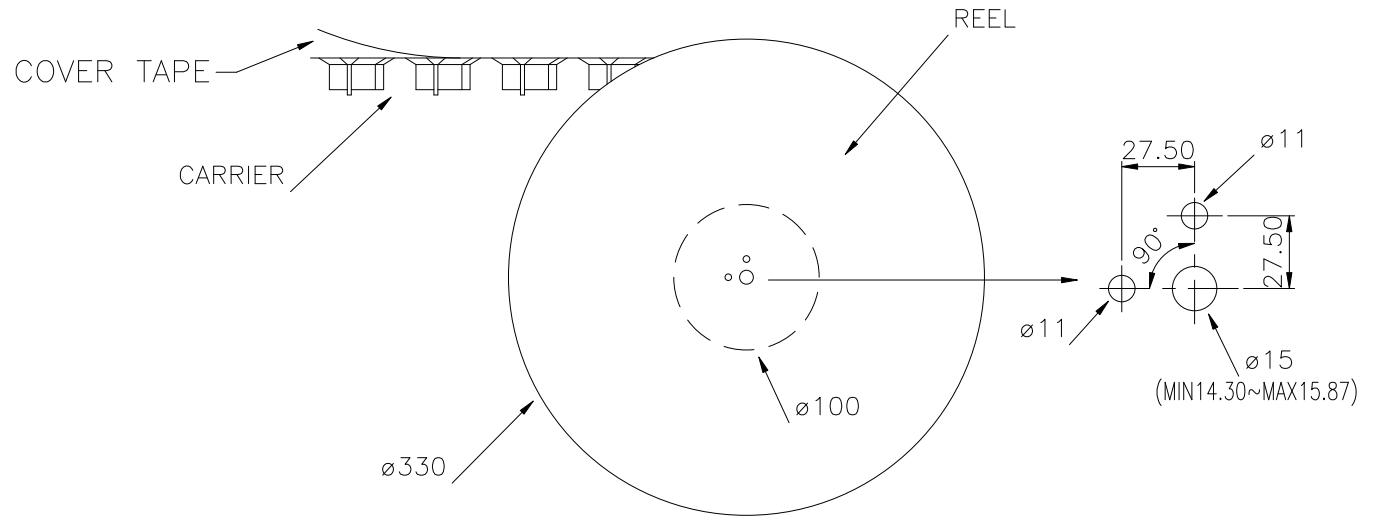


MATERIALS:

- REEL-6mm THICK PLASTIC WHEEL.
- CARRIER-PS (0.40mm THICK TAPE).
- COVER TAPE-PE (0.10mm THICK TAPE).

NOTES:

- A. 10 EMPTY CAVITIES FOR BOTH OF TOP AND BOTTOM OF THE CARRIER.
- B. 100 PCS PRODUCTS BE PACKAGED ONE REEL.
- C. CARTON SIZE: 345(L)X345(W)X315(H)
6 REEL/CARTON
TOTAL: 600 PCS



	dwg no	sheet 3 of 3	size
	10122975		A4
	type	CUSTOMER Drawing	

sheet index	revision sheet	A	A	A											
	1	2	3												