

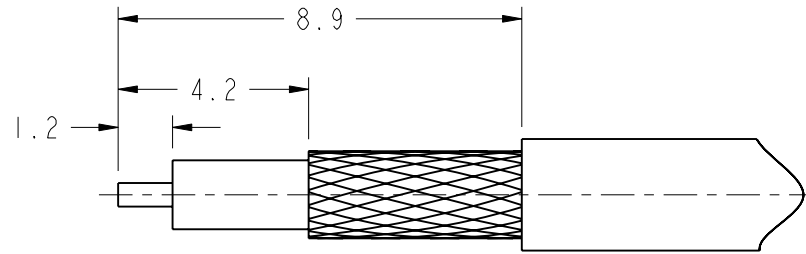
NOTES:

1. MATERIAL AND FINISH:  
 BODY - BRASS, GOLD PLATING  
 CONTACT - BRASS, GOLD PLATING  
 INSULATOR - PTFE, NATURAL
2. ELECTRICAL:  
 A. IMPEDANCE: 50 OHM  
 B. FREQUENCY RANGE: 0-6 GHz  
 C. DIELECTRIC WITHSTANDING VOLTAGE: 500 VRMS. MIN.
3. MECHANICAL:  
 A. DURABILITY: 500 CYCLES MIN.  
 B. TEMPERATURE RANGE: -65°C TO +165°C
4. CRIMPED FERRULE  
 HEX CRIMP SIZE .128"
5. CONTACT PIN TO SOLDER

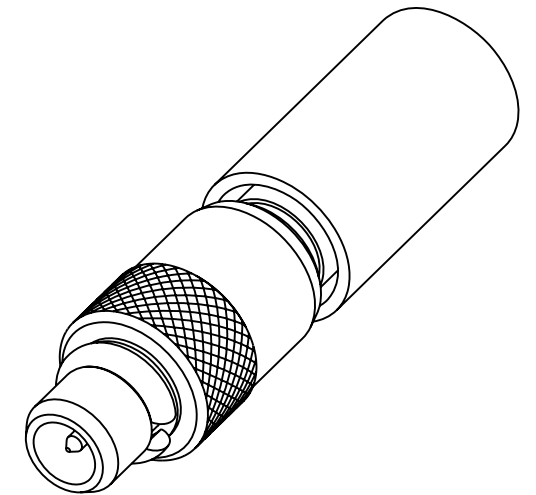
THIRD ANGLE PROJ.

REVISIONS

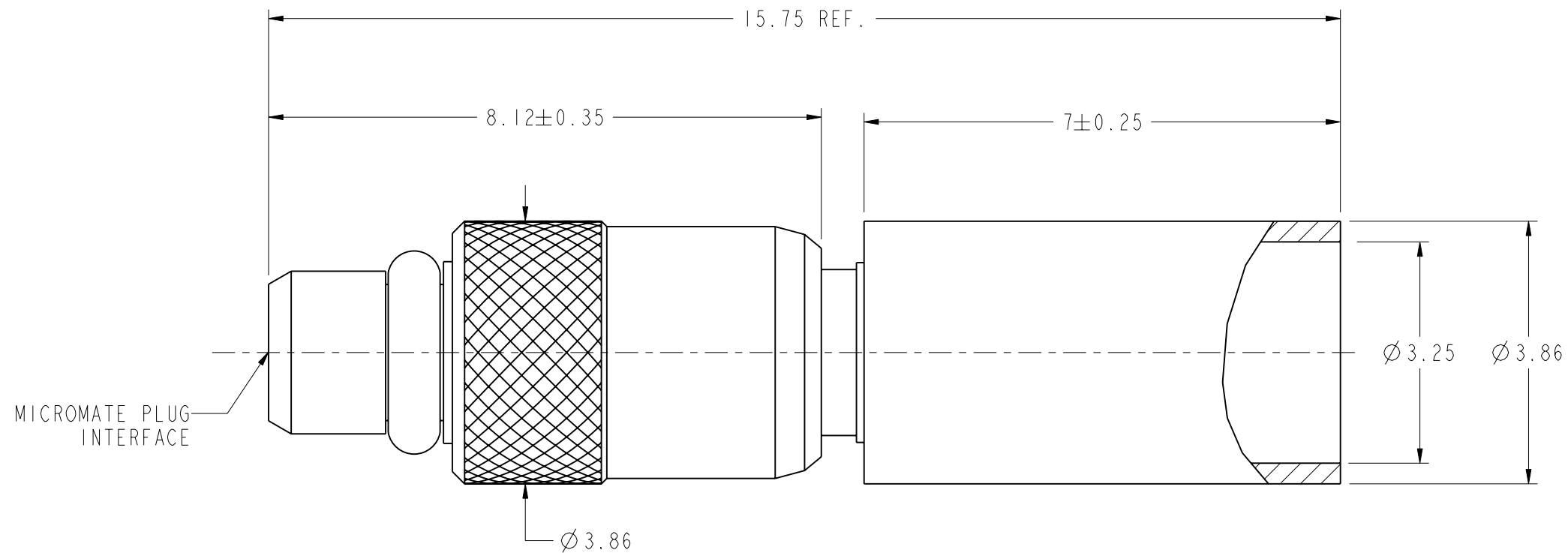
REV	DESCRIPTION	DATE	ECO	APPR
A	RELEASE TO MFG.	11/07/96	41601	BCG
B	CONTACT PIN WAS CHANGED	04/27/00	43271	CPM
C	CABLE STRIPPING 9.27 WAS 8.63; 8.25 WAS 7.62	02/21/01	43666	CPM
D	TRANSFERED TO ARFA	07-24-09	---	ANDY
E	BODY WAS CHANGED	11-Jan-10	---	ANDY
F	BODY WAS CHANGED	31-Mar-11	48431	SH



RECOMMENDED  
CABLE STRIPPING DIM'S



SCALE 6.000



**CUSTOMER OUTLINE DRAWING**  
ALL OTHER SHEETS ARE FOR INTERNAL USE ONLY

UNLESS OTHERWISE SPECIFIED, DIMENSIONS ARE IN METRIC AND TOLERANCES ARE:  
 <0.5mm ±0.05mm    0.5 - 6mm ±0.1mm    6 - 30mm ±0.2mm    30 - 120mm ±0.3mm    ANGLES ±1°

NOTICE - These drawings, specifications, or other data (1) are, and remain the property of Amphenol corp. (2) must be returned upon request; and (3) are confidential and not to be disclosed to any person other than those to whom they are given by Amphenol Corp. the finishing of these drawings, specifications, or other data by Amphenol Corp., or to any other person to anyone for any purpose is not to be regarded by implication or otherwise in any manner licensing, granting rights to permitting such holder or any other person to manufacture, use or sell any product, process or design, patented or otherwise, that may in any way be related to or disclosed by said drawings, specifications, or other data.

MATERIAL	DRAWN T. DENG	DATE 29-Mar-11	TITLE MICROMATE PLUG CRIMP TYPE FOR RG-316 CABLE	Amphenol RF www.amphenolrf.com
	ENGINEER B. GLEISSNER	DATE 03-Jun-09		
REFERENCE EAR 964688-0 GEN# ASSYM3.MMCX	APPROVED S. HSIEH	DATE 31-Mar-11	SCALE: 12.0:1.0	SHEET 2 OF 2
CONFIGURATION LEVEL: FINISH	I:\MMCX\908-41300		DWG SIZE B	REV F
			DRAWING NO. 908-41300	
			ITEM NO. 908-41300	
			PART NO. 908-41300	