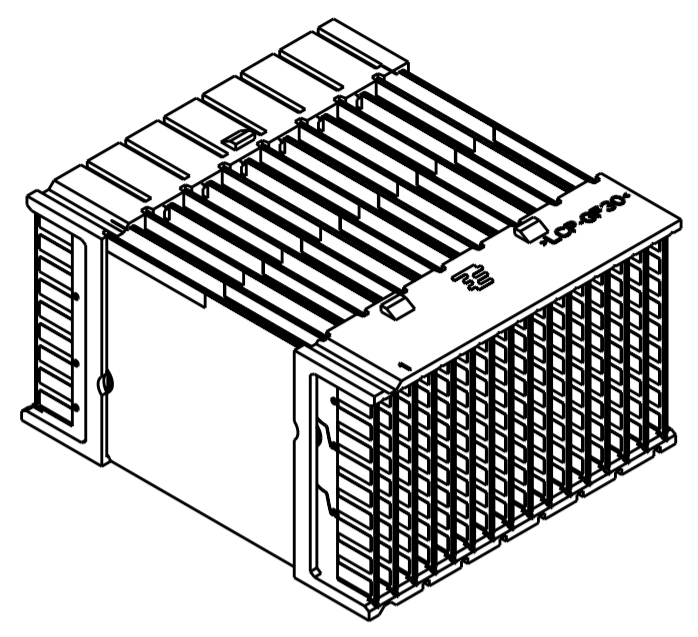
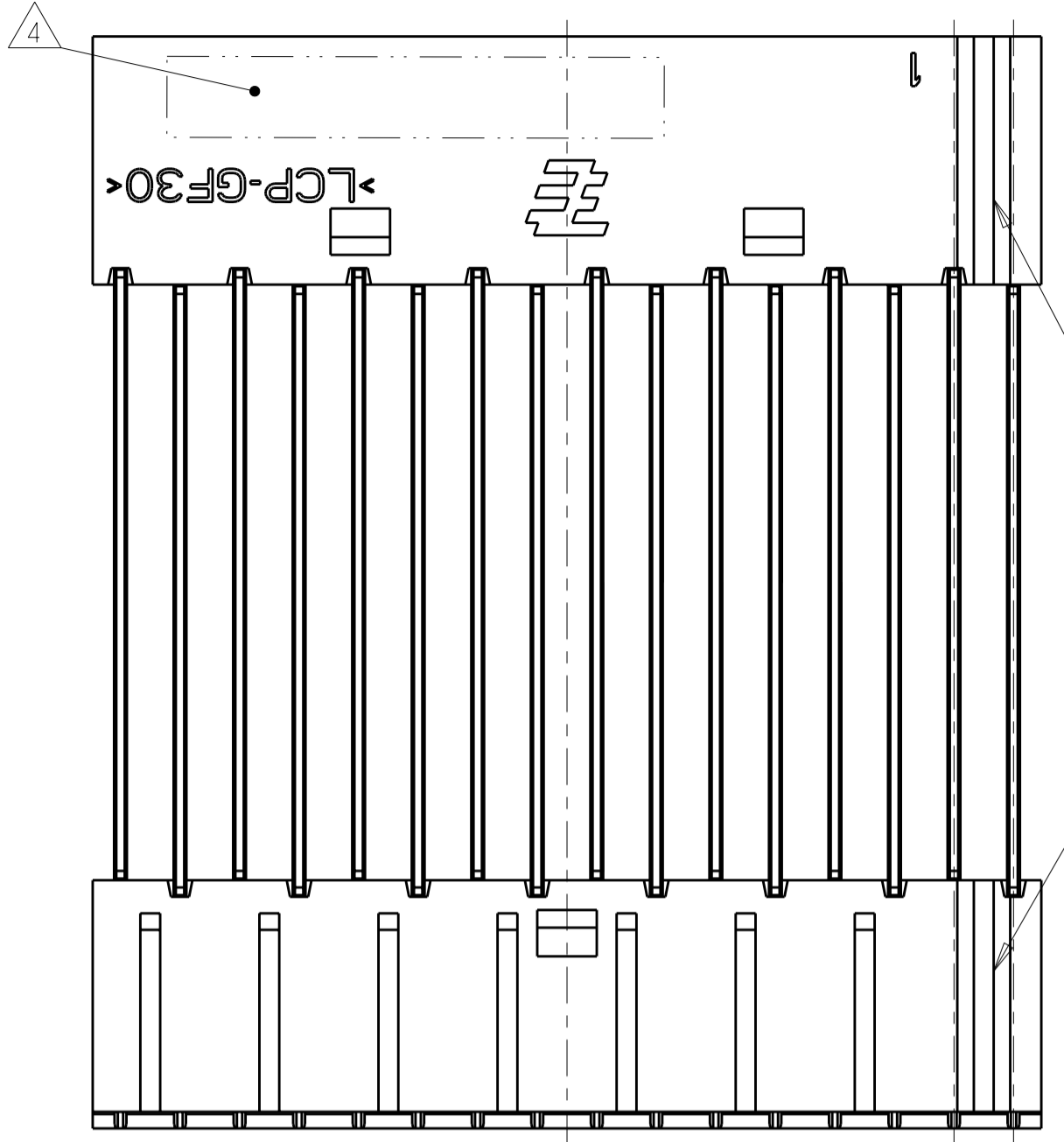


LOC		DIST		REVISIONS			
P	LTR	DESCRIPTION	DATE	DWN	APVD		
GP	00	A	REV PER ECO-08-032056	23DEC2008	BC	GG	

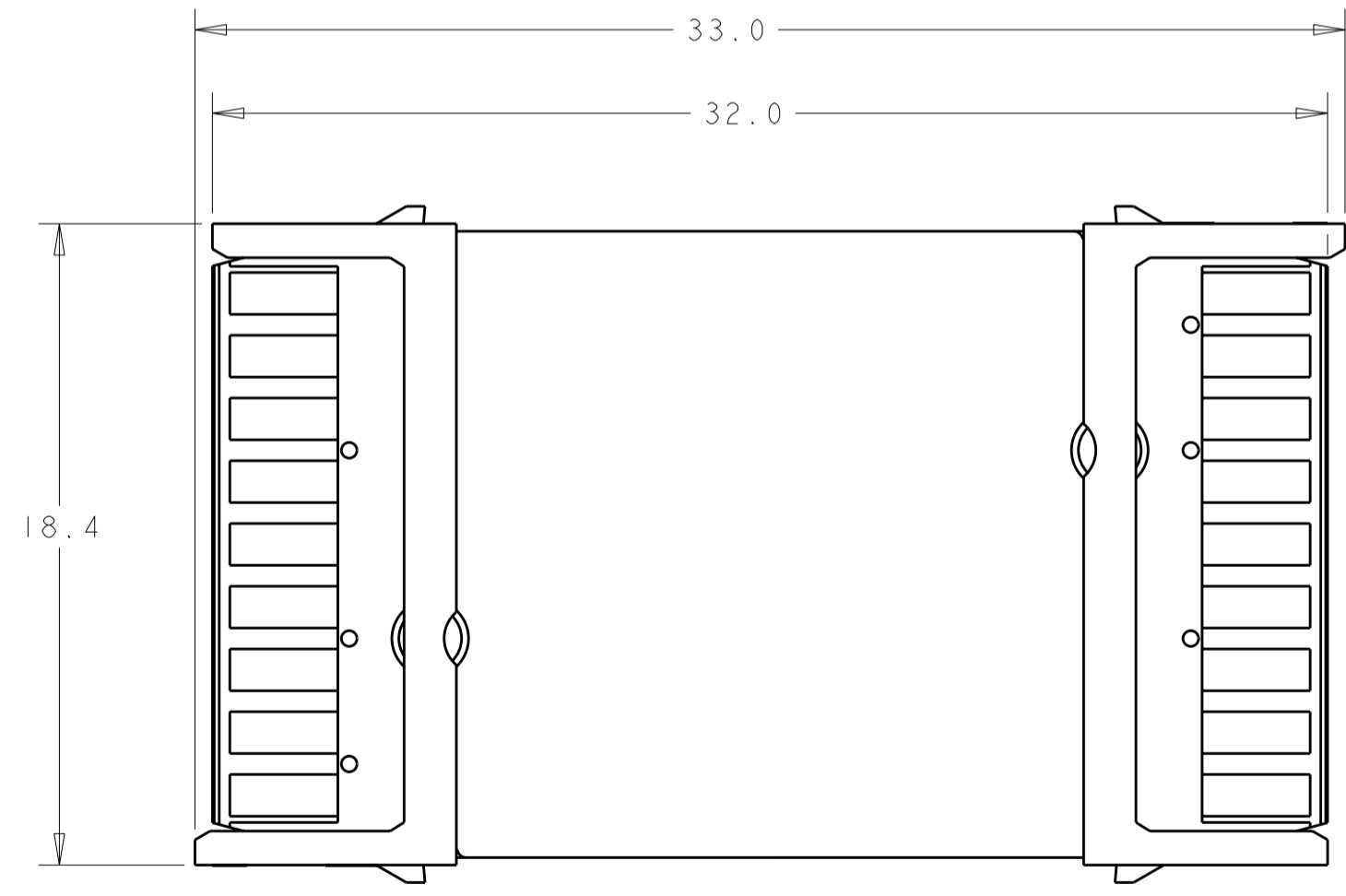
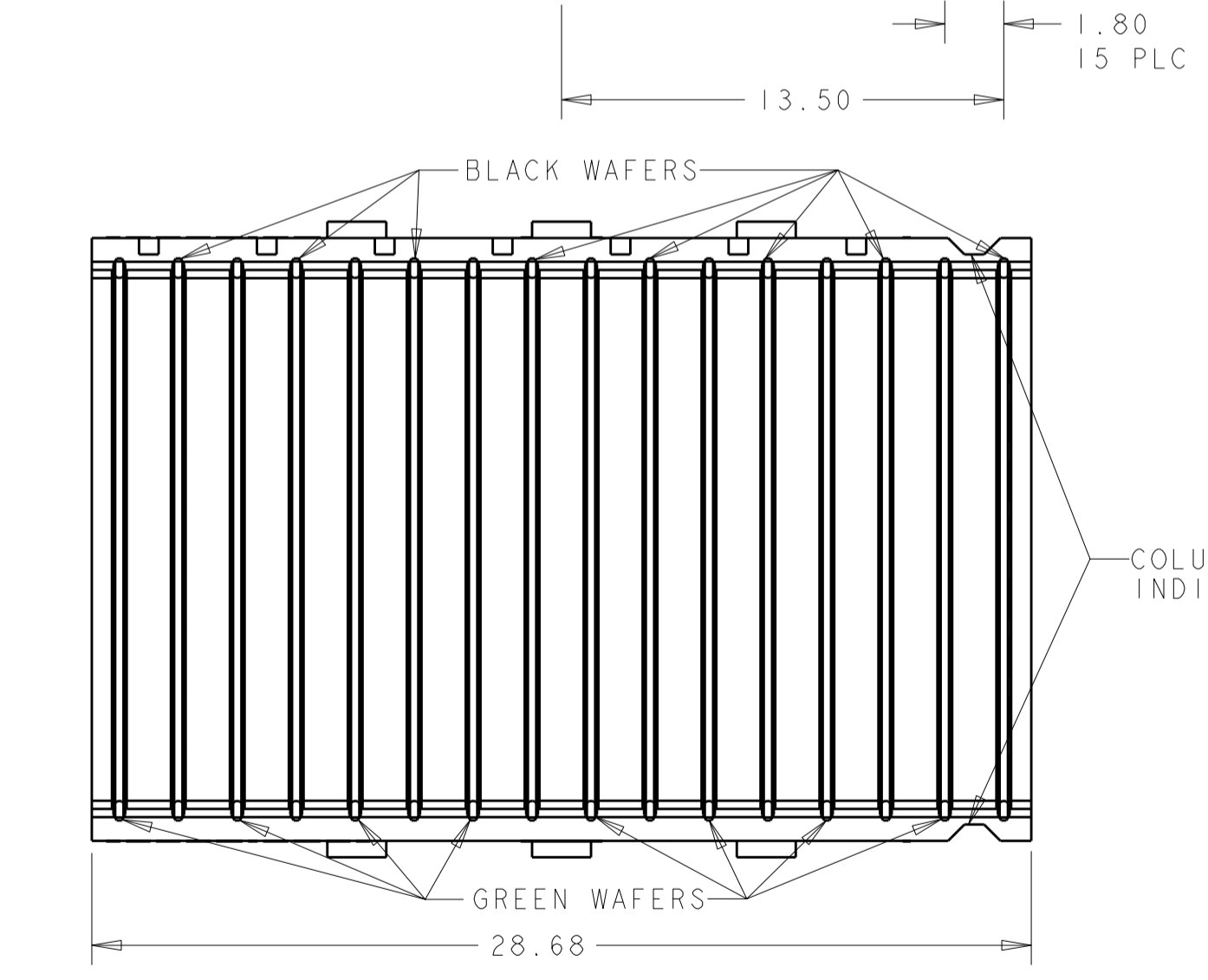


SCALE 2:1

- ① HOUSING: LCP, UL94V0, COLOR: BLACK. WAFER: FR4.
- ② CONTACT: GOLD PLATED IN PAD CONTACT AREA.
- 3. SEE TABLE FOR INTERCONNECTIONS TO BACKPLANE CONNECTOR.
- ④ PART NUMBER AND DATE CODE (yyww) LOCATED ON SURFACE INDICATED.

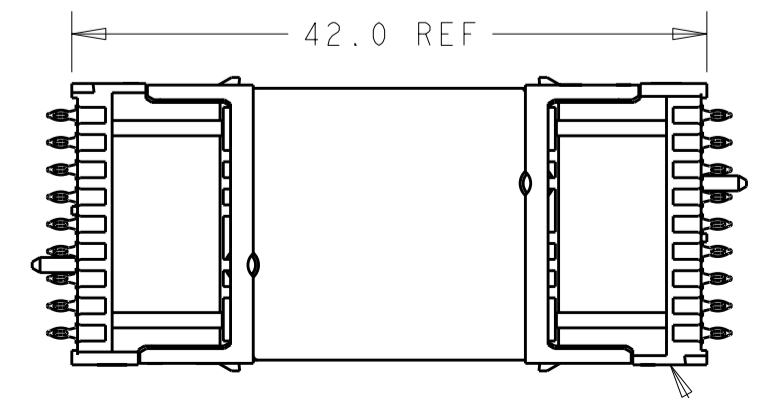
TYPICAL INTERCONNECTIONS FOR EACH ODD-NUMBERED COLUMN (BLACK WAFER): 1, 3, 5, 7, 9, 11, 13, 15

CONTACT USAGE	DAUGHTERCARD/MAIN CARD	MEZZANINE/CARRIER CARD
SIGNAL	bx	ix
SIGNAL	cx	hx
SIGNAL	ex	fx
SIGNAL	fx	ex
SIGNAL	hx	cx
SIGNAL	ix	bx
GROUPS ALL COMMONED	ax, dx, gx	gx, dx, ax



TYPICAL INTERCONNECTIONS FOR EACH EVEN-NUMBERED COLUMN (GREEN WAFER): 2, 4, 6, 8, 10, 12, 14, 16

CONTACT USAGE	DAUGHTERCARD/MAIN CARD	MEZZANINE/CARRIER CARD
SIGNAL	ax	hx
SIGNAL	bx	gx
SIGNAL	dx	ex
SIGNAL	ex	dx
SIGNAL	gx	bx
SIGNAL	hx	ax
GROUPS ALL COMMONED	cx, fx, ix	ix, fx, cx



SCALE 2:1 MATING P/N 1410140 OR 1410142

THIS DRAWING IS A CONTROLLED DOCUMENT FOR TYCO ELECTRONICS CORPORATION. IT IS SUBJECT TO CHANGE AND THE CONTROLLING ENGINEERING ORGANIZATION SHOULD BE CONTACTED FOR THE LATEST REVISION.

DIMENSIONS:	TOLERANCES UNLESS OTHERWISE SPECIFIED:	DWN	16 JUN 2006	Tyco Electronics Harrisburg, PA 17105-3608	
mm	0 PLC ±	CHK	16 JUN 2006		
	1 PLC ±	APVD	23 DEC 2008		
	2 PLC ±0.13	PRODUCT SPEC	108-2072		
	3 PLC ±0.013	APPLICATION SPEC	114-13056	NAME	MEZZANINE CONNECTOR, 42mm STACK HEIGHT, DIFFERENTIAL, 16 WAFER, MultiGig RT2
	4 PLC ±	WEIGHT	-	SIZE	A200779
MATERIAL	ANGLES ±	CUSTOMER DRAWING		DRAWING NO	1410196
	FINISH	SCALE		RESTRICTED TO	-