

PART NAME

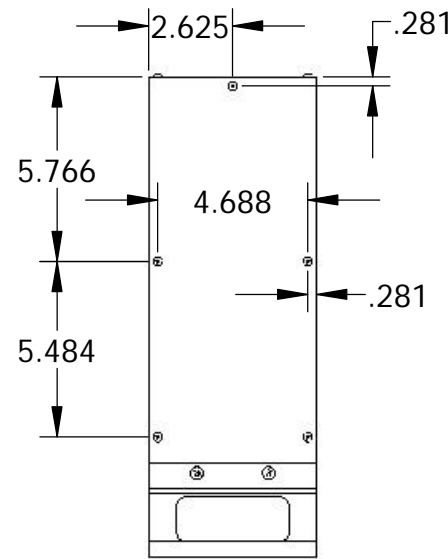
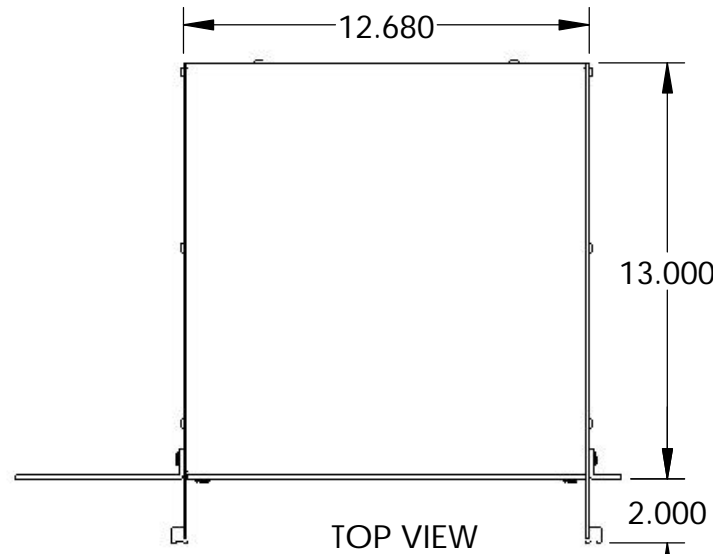
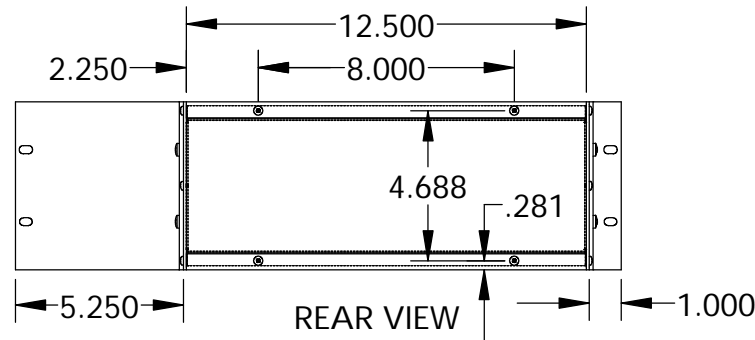
# VALU/LINE SERIES CABINET

PART No.

## HC-14102

REVISION DATE

11-1-07



### MATERIAL:

BACK & COVERS \_\_\_\_\_ 0.050 THICK ALUMINUM  
 SIDES & INNER BRACKETS \_\_\_\_\_ 0.090 THICK ALUMINUM  
 FRONT PANEL \_\_\_\_\_ 0.125 THICK ALUMINUM  
 OUTER BRACKETS \_\_\_\_\_ 11 GA. C.R.S.  
 HANDLE EXTRUSIONS \_\_\_\_\_ ALUMINUM

### FINISH:

BACK & COVERS \_\_\_\_\_ PREPAINTED SMOOTH WHITE  
 SIDES & OUTER BRACKETS \_\_\_\_\_ WHITE TEXTURED  
 FRONT PANEL \_\_\_\_\_ NATURAL (OUTSIDE SURFACE TAPED WITH PVC)  
 INNER BRACKETS \_\_\_\_\_ NATURAL  
 HANDLE EXTRUSIONS \_\_\_\_\_ CAUSTIC ETCH & CLEAR ANODIZED  
 FEET \_\_\_\_\_ BLACK

UNIT SHIPPED UNASSEMBLED.

OUTER BRACKETS FOR MOUNTING IN STANDARD 19" WIDE CABINETS.

OPTIONAL SELF-ADHESIVE RUBBER FEET (SUPPLIED)

LOAD RATING: 25 LBS. MAX.

