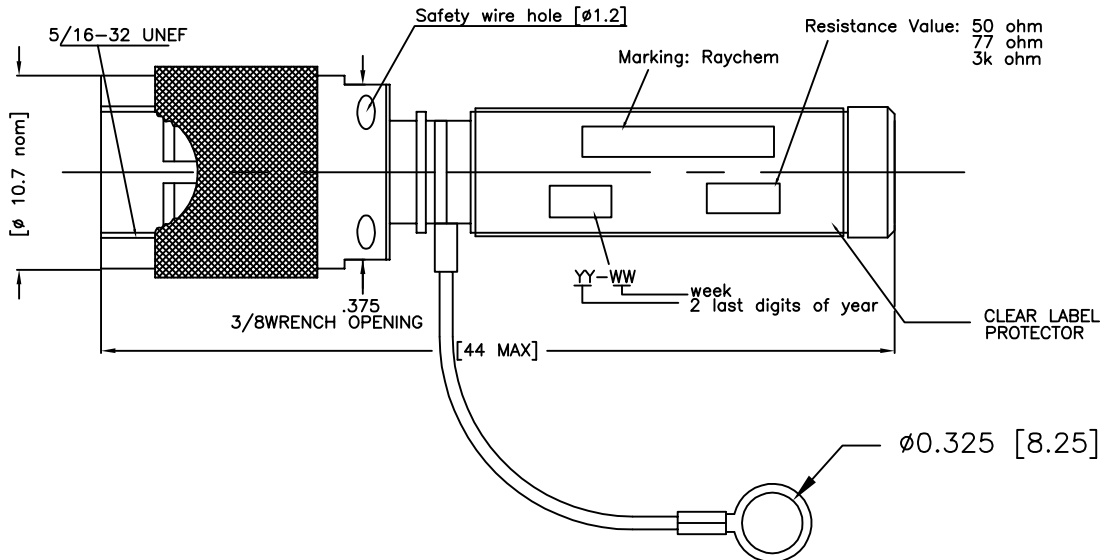
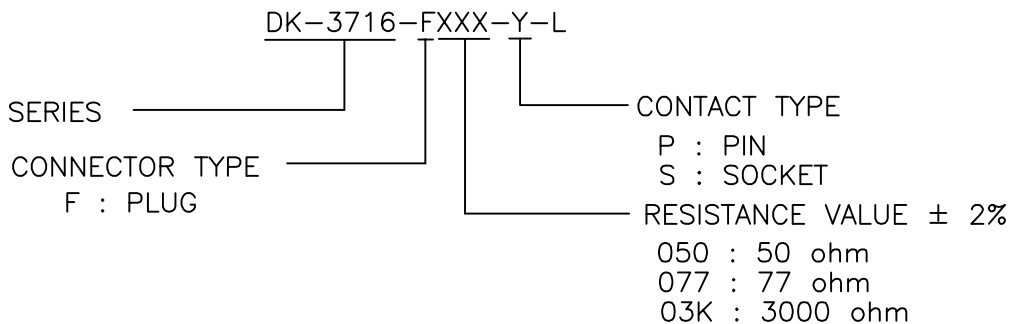


REVISION		
REV	DESCRIPTION	DATE
A	INITIAL RELEASE PER ECO-11-002005	01FEB2012



PART NUMBERING SYSTEM



RAYCHEM Part Numbering	AECMA Part Numbering
DK-3716-F050-P-L	EN-3716-004M50C
DK-3716-F077-P-L	EN-3716-004M77C
DK-3716-F03K-P-L	EN-3716-004M3KC
DK-3716-F050-S-L	EN-3716-004F50C
DK-3716-F077-S-L	EN-3716-004F77C
DK-3716-F03K-S-L	EN-3716-004F3KC

© 2012 Tyco Electronics Corporation. All Rights Reserved.

Raychem Databus
CUSTOMER DRAWING

UNLESS OTHERWISE SPECIFIED DIMENSIONS ARE INCHES. METRIC DIMENSIONS ARE IN BRACKETS. DECIMAL TOLERANCES .XXX ± 0.005 [0.13 mm] .XX ± 0.010 [0.25 mm] .X ± 0.020 [0.50 mm] ANGLE TOLERANCE .X ± 0.5 DEG. WEIGHT (MAX) LBS. TBD [TBD gm]	DRAWN NIKHIL C	DATE 27JUL2011			TE Connectivity
	MATERIAL FINISH	TITLE THREADED, TRIAXIAL CONNECTOR RESISTOR TERMINATOR WITH CABLE LANYARD			
THIRD ANGLE PROJECTION 	SIZE A	CODE IDENT. NO. 06090	DWG. NO. DK-3716-FXXX-Y-L		
CAD FILE DK-3716-FXXX-Y-L_CDa			DO NOT SCALE THIS DRAWING		SHEET 1 OF 2

1. MATERIAL AND FINISHES:

- 1.1 Housing Body : Copper Alloy Per QQ-B-626.
Tin Plated Per MIL-T-10727.
- 1.2 Coupling Nut : Copper Alloy Per QQ-B-626.
Nickel Plated per QQ-N-290.
- 1.3 Insulator : Polyether Sulphone.
- 1.4 Resistor Cover : Stainless Steel Type 303 ASTM A582.
- 1.5 Lanyard : Stainless Steel Cable With Nylon Cover.
- 1.6 Lanyard Length : 3.0" [76 mm] between eyelet hole centerlines.

2. INTERMATEABILITY :


- 2.1 This connector will mate With DK-3716-EXXX-Y.

3. PERFORMANCE CAPABILITIES:

- 3.1 Designed to meet Performance Specification AECMA EN-3716-004.
- 3.2 General Characteristics :
- 3.2.1 Maximum Operating Temperature : 150°C
- 3.2.2 Power Rating : 1 Watt
- 3.2.3 Insulation Resistance : 5000 megahohms min.
- 3.2.4 High Potential, mated, sea level : 900 volts at 60 Hz
- 3.2.5 Connector Mating Coupling Torque : 1.13 m.N maximum
- 3.2.6 Insertion Force : 1.4 Kg maximum.
- 3.2.7 Withdrawal Force : 30 g maximum.
- 3.2.8 Contact Retention Terminated : 9 Kg minimum
- 3.2.9 Durability : 500 mating cycles.
- 3.2.10 Weight : 21 g maximum.

© 2012 Tyco Electronics Corporation. All Rights Reserved.

Raychem Databus
CUSTOMER DRAWING

DRAWN NIKHIL C	DATE 27JUL2011		SIZE A	CODE IDENT. NO. 06090	DWG. NO. DK-3716-FXXX-Y-L	REV A
CAD FILE DK-3716-FXXX-Y-L_CDb			DO NOT SCALE THIS DRAWING		SHEET 2 OF 2	

If this document is printed it becomes uncontrolled. Check for the latest revision