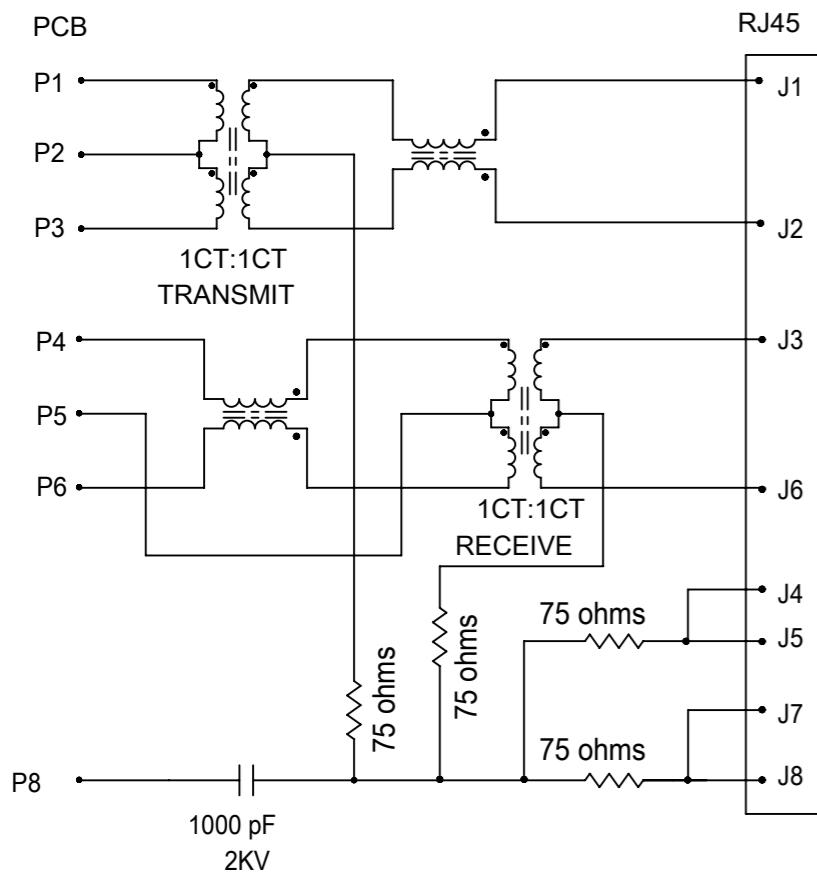


- NOTES:**
- MATERIAL:**
 METAL SHELL: BRASS.
 HOUSING: HIGH TEMP THERMOPLASTIC, UL94-0, COLOR BLACK.
 INSERT: HIGH TEMP THERMOPLASTIC, UL94-0, COLOR BLACK.
 TERMINAL: PHOSPHOR BRONZE.
 - PLATING:**
 TERMINAL:
 CONTACT AREA: GOLD(Au), THICKNESS=50 MICROINCH/1.27 MICROMETER.
 SOLDER TAIL: TIN(Sn), THICKNESS=100 MICROINCH MINIMUM/2.54 MICROMETER.
 UNDER PLATE: NICKEL (Ni). THICKNESS=50 MICROINCH/1.27 MICROMETER.
 METAL SHELL:
 SOLDER TAIL: PRE-SOLDER TIN(Sn)
 UNDER PLATE: NICKEL (Ni), (SOLDERING AVAILABLE)
 THICKNESS=50 MICROINCH MINIMUM.
 SURFACE APPEARANCE: BRIGHT.
 - RECOMMENDED PCB THICKNESS:** 1.60±0.05
 - PRODUCT SPECIFICATION REFER TO** PS-48025-092
 - TEST SUMMARY REFER TO** TS-48025-092
 - PACKAGING SPECIFICATION REFER TO** PK-48025-092
 - LEAD FREE AND RoHS AND SILICON FREE COMPLIANT PRODUCT**

SYMBOLS	THIS DRAWING CONTAINS INFORMATION THAT IS PROPRIETARY TO MOLEX ELECTRONIC TECHNOLOGIES, LLC AND SHOULD NOT BE USED WITHOUT WRITTEN PERMISSION		CURRENT REV DESC:		molex
	DIMENSION UNITS	SCALE			
▽ = 0	mm	2:1			MODULAR JACK INTERGRATED MAGNETICS WITH LED
▽ = 0	GENERAL TOLERANCES (UNLESS SPECIFIED)				
▽ = 0	ANGULAR TOL ± 3.0°				PRODUCT CUSTOMER DRAWING
▽ = 0	4 PLACES ±				
▽ = 0	3 PLACES ±				DOCUMENT NUMBER SD-48025-013
▽ = 0	2 PLACES ± 0.25				
▽ = 0	1 PLACE ± 0.25				DOC TYPE PSD
▽ = 0	0 PLACES ±				
□ = 0	DRAFT WHERE APPLICABLE MUST REMAIN WITHIN DIMENSIONS		THIRD ANGLE PROJECTION	DRAWING A3-SIZE	SERIES 48025
▽ = 0			MATERIAL NUMBER 48025-1092	CUSTOMER GENERAL MARKET	REVISION 1 OF 2



MAGNETIC SCHEMATIC

- TEST NOTES:
 UNLESS OTHERWISE SPECIFIED, TESTING IS PERFORMED AT 25°C±5°C.
- 1.0 HIPOT(100%):
 - 1.1 FIGURE 8. APPLY 2250VDC FOR 10 SEC FROM PCB PINS(1,2,3,4,5,6,7,8) & LED PINS(9,10,11,12) & SHIELD TO CABLE PINS(1,2,3,4,5,6,7,8) MAX. LEAKAGE CURRENT=2mA
 - 1.2 FIGURE 9. APPLY 500VDC FOR 10 SEC BETWEEN ALL PCB PINS & ALL LED PINS TO SHIELD MAX. LEAKAGE CURRENT=1mA
 - 2.0 OCL:100% 100 KHz. 100 mV. 8mADC BIAS
 PCB(1-3) & CABLE(3-6)=440µH MIN.
 - 3.0 OPENS AND SHORTS(100%):PER PQ 3.064,000
 - 3.1 VERIFY FOLLOWING CONTINUITY:
 - PCB(2-1)=(2-3)=0.7 OHMS MAXIMUM
 - PCB(4-5)=(6-5)=0.8 OHMS MAXIMUM
 - CABLE(1-2)=(3-6)=1.5 OHMS MAXIMUM
 - CABLE(1-3)=(2-6)=140 TO 160 OHMS
 - CABLE(4-5)=(7-8)=0.5 OHMS MAXIMUM
 - CABLE(1-4)=(1-8)=CABLE(5-8)=140 TO 160 OHMS
 - CABLE(3-5)=(3-7)=140 TO 160 OHMS
 - 3.2 VERIFY OPEN (RESISTANCE>10 MEGOHMS)
 PCB(3) TO PCB(4), PCB(6) TO PCB(7), PCB(6) TO PCB(8).
 PCB(7) TO PCB(8); LED(9,10,11,12) TO PCB(1,2,3,4,5,6,7,8).
 - 4.0 CAPACITANCE:(100%) 1KHz,1V
 PCB(8) TO CABLE(8)=0.001µF±25%
 - 5.0 LED OPERATION:(100%)SEE FIGURE 10
 SET 9.0 VOLT POWER SUPPLY TO CURRENT LIMIT AT 20 mA MAXIMUM.
 INSERT MODULE INTO FIXTURE AND VERIFY BOTH LEDS LIGHT AND
 ARE IN THEIR PROPER LOCATION.
 - 6.0 TURNS RATIO:(100%) TEST AT 100 KHz,100mV
 PCB(1-3)/CABLE(1-2)=PCB(4-6)/CABLE(3-6)=1.00±2%

LED ELECTRICAL SPECIFICATION

PARAMETER	YELLOW (TYP.)		GREEN (TYP.)		UNITS	TEST CONDITIONS
POWER DISSIPATION	105		105		mW	
REVERSE VOLTAGE	5		5		V	
PEAK WAVELENGTH	590		565		nm	I _F =20mA
FORWARD VOLTAGE	2.1	MAX.=2.5	2.2	MAX.=2.5	V	I _F =20mA

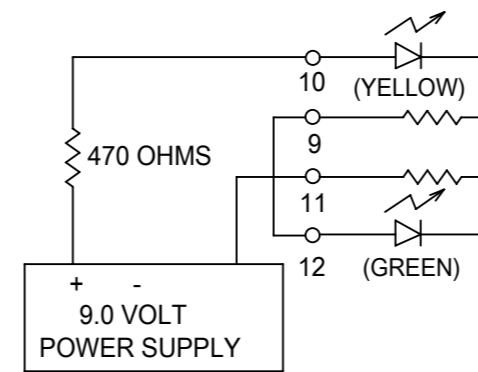


FIGURE 10

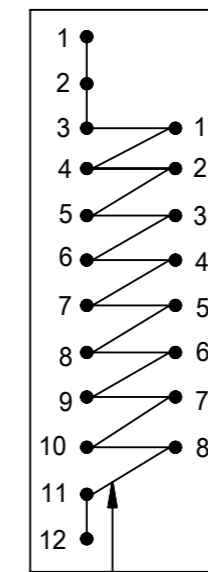


FIGURE 9

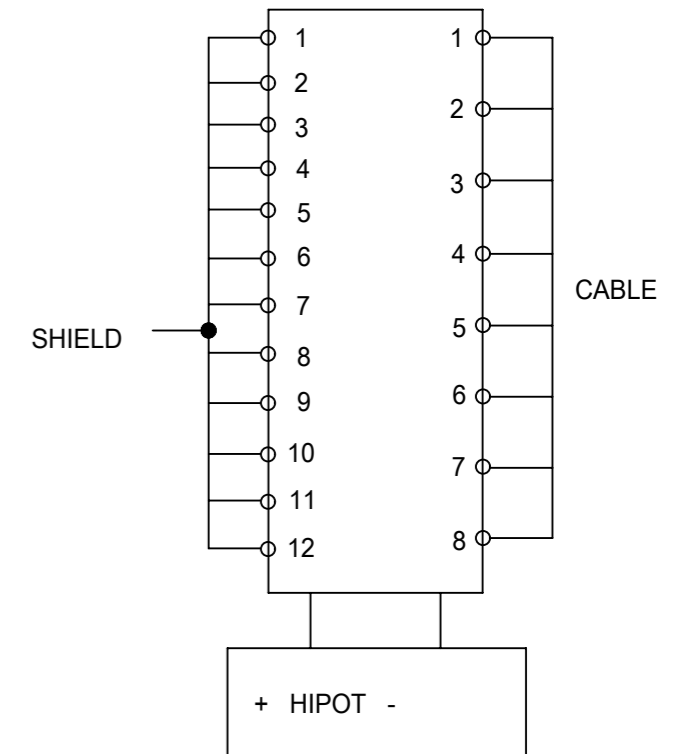
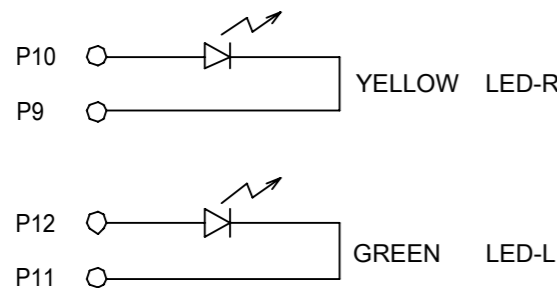
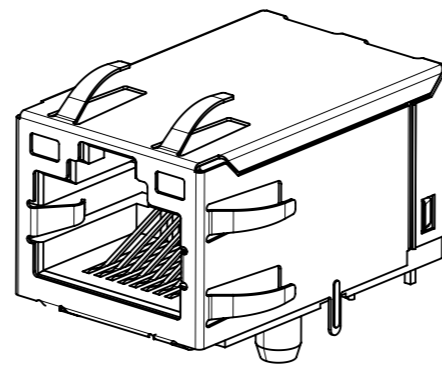
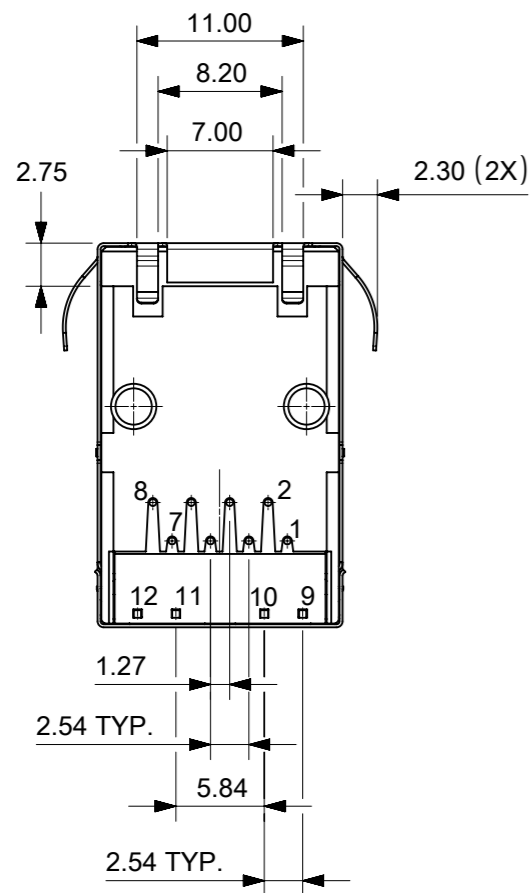
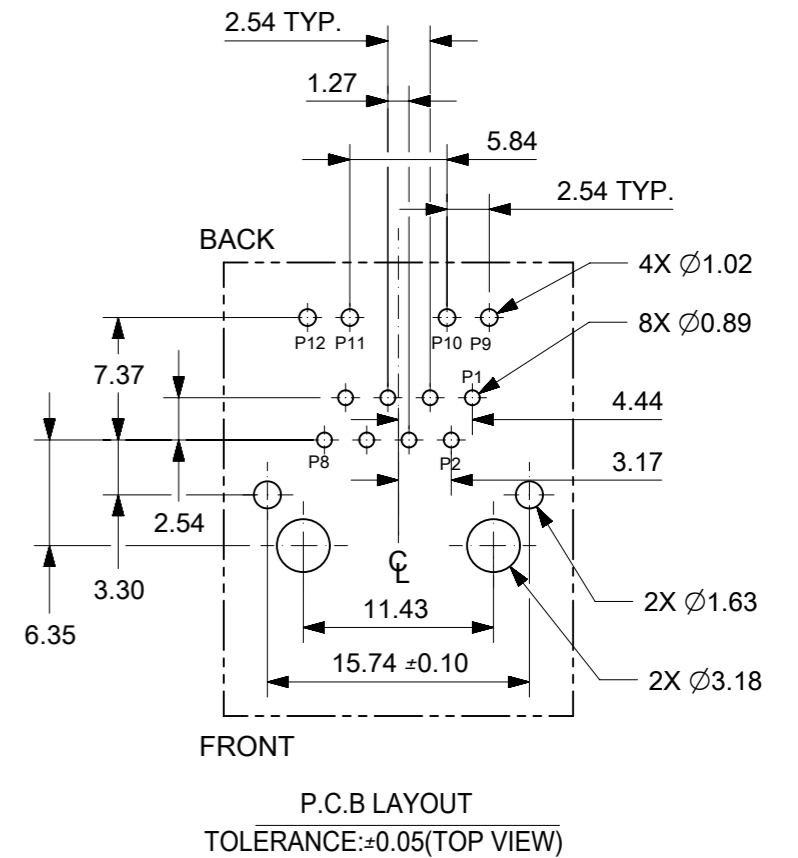
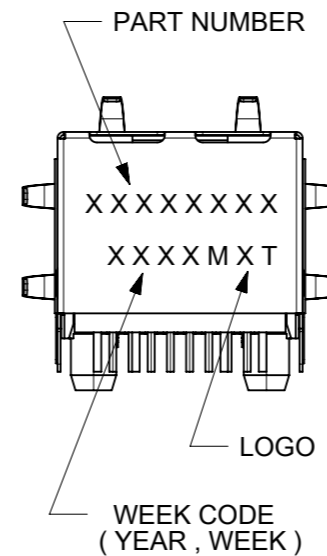
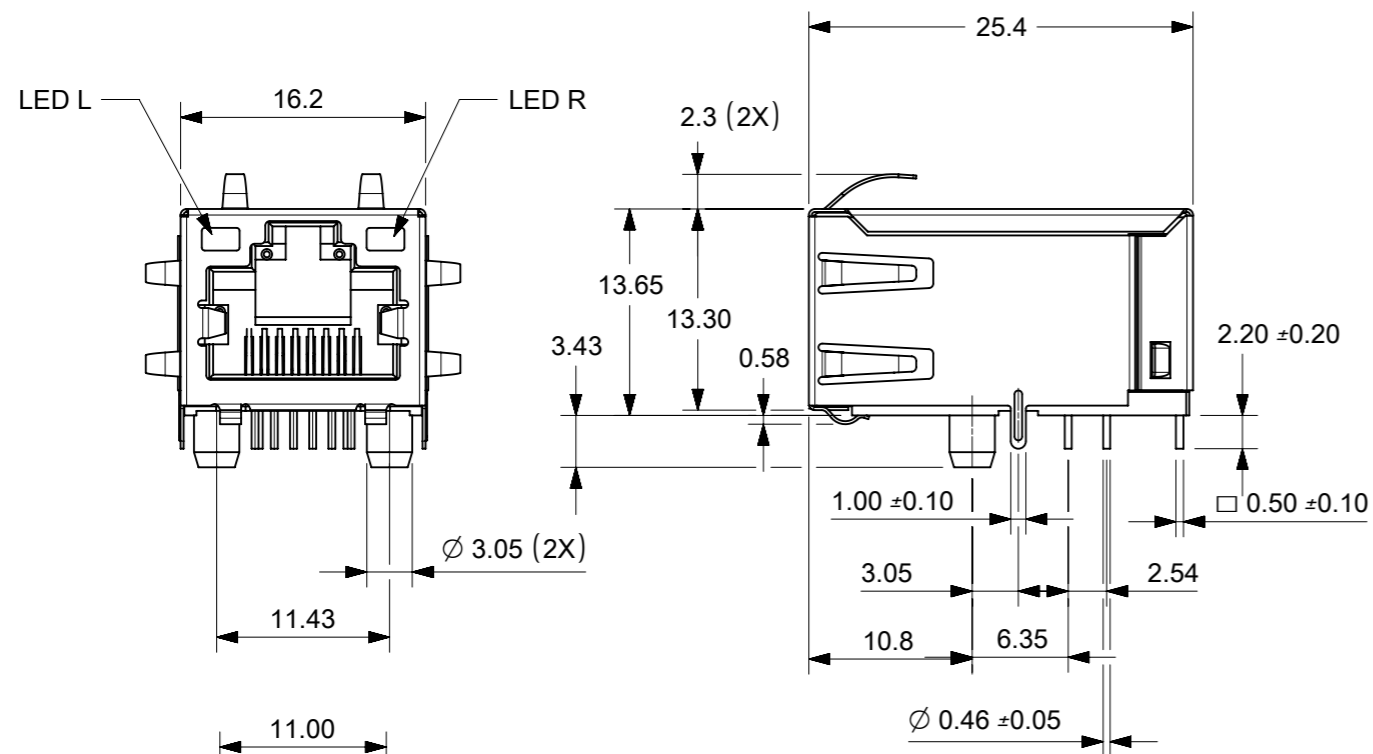


FIGURE 8



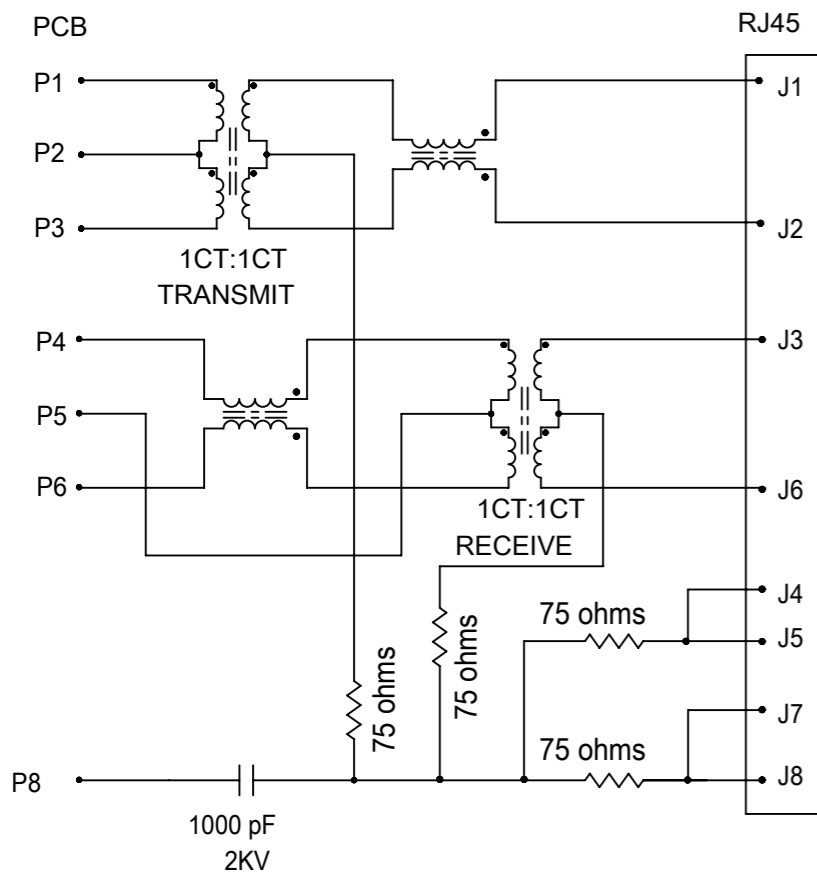
LED SCHEMATIC

SYMBOLS		THIS DRAWING CONTAINS INFORMATION THAT IS PROPRIETARY TO MOLEX ELECTRONIC TECHNOLOGIES, LLC AND SHOULD NOT BE USED WITHOUT WRITTEN PERMISSION		CURRENT REV DESC:		molex	
▽ = 0	mm	SCALE	1:1	EC NO: 177236			
▽ = 0	GENERAL TOLERANCES (UNLESS SPECIFIED)		DRWN: GB		2018/05/10	INTERGRATED MAGNETICS WITH LED	
▽ = 0	ANGULAR TOL ± 3.0°		CHK'D: JKACHLIC		2018/05/25	PRODUCT CUSTOMER DRAWING	
▽ = 0	4 PLACES ±		APPR: JKACHLIC		2018/05/25	DOCUMENT NUMBER	
▽ = 0	3 PLACES ±		INITIAL REVISION:		SD-48025-013		DOC TYPE
▽ = 0	2 PLACES ± 0.25		DRWN: FYANG05		2014/06/26	PSD	DOC PART
▽ = 0	1 PLACE ± 0.25		APPR: RZHANG		2014/11/06	001	REVISION
▽ = 0	0 PLACES ±		DRAFT WHERE APPLICABLE MUST REMAIN WITHIN DIMENSIONS		SERIES		B
▽ = 0	THIRD ANGLE PROJECTION		DRAWING		48025	MATERIAL NUMBER	
▽ = 0	A3-SIZE		48025		CUSTOMER		SHEET NUMBER
		48025-1092		GENERAL MARKET		2 OF 2	



- NOTES:
- MATERIAL:
METAL SHELL: BRASS.
HOUSING: HIGH TEMP THERMOPLASTIC, UL94-0, COLOR BLACK.
INSERT: HIGH TEMP THERMOPLASTIC, UL94-0, COLOR BLACK.
TERMINAL: PHOSPHOR BRONZE.
 - PLATING:
TERMINAL:
CONTACT AREA: GOLD(Au), THICKNESS=50 MICROINCH/1.27 MICROMETER.
SOLDER TAIL: TIN(Sn), THICKNESS=100 MICROINCH MINIMUM/2.54 MICROMETER.
UNDER PLATE: NICKEL (Ni). THICKNESS=50 MICROINCH/1.27 MICROMETER.
METAL SHELL:
SOLDER TAIL: PRE-SOLDER TIN(Sn)
UNDER PLATE: NICKEL (Ni), (SOLDERING AVAILABLE)
THICKNESS=50 MICROINCH MINIMUM.
SURFACE APPEARANCE: BRIGHT.
 - RECOMMENDED PCB THICKNESS: 1.60±0.05
 - PRODUCT SPECIFICATION REFER TO PS-48025-092
 - TEST SUMMARY REFER TO TS-48025-092
 - PACKAGING SPECIFICATION REFER TO PK-48025-092
 - LEAD FREE AND RoHS AND SILICON FREE COMPLIANT PRODUCT

SYMBOLS DIMENSION UNITS: mm SCALE: 2:1 GENERAL TOLERANCES (UNLESS SPECIFIED) ANGULAR TOL ± 3.0° 4 PLACES ± 3 PLACES ± 2 PLACES ± 0.25 1 PLACE ± 0.25 0 PLACES ± DRAFT WHERE APPLICABLE MUST REMAIN WITHIN DIMENSIONS THIRD ANGLE PROJECTION DRAWING: A3-SIZE SERIES: 48025	THIS DRAWING CONTAINS INFORMATION THAT IS PROPRIETARY TO MOLEX ELECTRONIC TECHNOLOGIES, LLC AND SHOULD NOT BE USED WITHOUT WRITTEN PERMISSION CURRENT REV DESC:		 MODULAR JACK WITH INTERGRATED MAGNETICS WITH LED PRODUCT CUSTOMER DRAWING		
	EC NO: 177236 DRWN: GB 2018/05/10 CHK'D: JKACHLIC 2018/05/25 APPR: JKACHLIC 2018/05/25				
	INITIAL REVISION: DRWN: DBFAN 2016/09/28 APPR: JKACHLIC 2016/10/13		MATERIAL NUMBER: 48025-1092 CUSTOMER: GENERAL MARKET SHEET NUMBER: 1 OF 2		
	DIMENSION UNITS: mm SCALE: 2:1 GENERAL TOLERANCES (UNLESS SPECIFIED) ANGULAR TOL ± 3.0° 4 PLACES ± 3 PLACES ± 2 PLACES ± 0.25 1 PLACE ± 0.25 0 PLACES ± DRAFT WHERE APPLICABLE MUST REMAIN WITHIN DIMENSIONS THIRD ANGLE PROJECTION DRAWING: A3-SIZE SERIES: 48025		EC NO: 177236 DRWN: GB 2018/05/10 CHK'D: JKACHLIC 2018/05/25 APPR: JKACHLIC 2018/05/25		DOCUMENT NUMBER: SD-48025-092 DOC TYPE: PSD DOC PART: 001 REVISION: D



MAGNETIC SCHEMATIC

- TEST NOTES:
 UNLESS OTHERWISE SPECIFIED, TESTING IS PERFORMED AT 25°C±5°C.
- 1.0 HIPOT(100%):
 - 1.1 FIGURE 8. APPLY 2250VDC FOR 10 SEC FROM PCB PINS(1,2,3,4,5,6,7,8) & LED PINS(9,10,11,12) & SHIELD TO CABLE PINS(1,2,3,4,5,6,7,8) MAX. LEAKAGE CURRENT=2mA
 - 1.2 FIGURE 9. APPLY 500VDC FOR 10 SEC BETWEEN ALL PCB PINS & ALL LED PINS TO SHIELD MAX. LEAKAGE CURRENT=1mA
 - 2.0 OCL:100% 100 KHz. 100 mV. 8mADC BIAS
 PCB(1-3) & CABLE(3-6)=440µH MIN.
 - 3.0 OPENS AND SHORTS(100%):PER PQ 3.064,000
 - 3.1 VERIFY FOLLOWING CONTINUITY:
 - PCB(2-1)=(2-3)=0.7 OHMS MAXIMUM
 - PCB(4-5)=(6-5)=0.8 OHMS MAXIMUM
 - CABLE(1-2)=(3-6)=1.5 OHMS MAXIMUM
 - CABLE(1-3)=(2-6)=140 TO 160 OHMS
 - CABLE(4-5)=(7-8)=0.5 OHMS MAXIMUM
 - CABLE(1-4)=(1-8)=CABLE(5-8)=140 TO 160 OHMS
 - CABLE(3-5)=(3-7)=140 TO 160 OHMS
 - 3.2 VERIFY OPEN (RESISTANCE>10 MEGOHMS)
 PCB(3) TO PCB(4), PCB(6) TO PCB(7), PCB(6) TO PCB(8).
 PCB(7) TO PCB(8); LED(9,10,11,12) TO PCB(1,2,3,4,5,6,7,8).
 - 4.0 CAPACITANCE:(100%) 1KHz,1V
 PCB(8) TO CABLE(8)=0.001µF±25%
 - 5.0 LED OPERATION:(100%)SEE FIGURE 10
 SET 9.0 VOLT POWER SUPPLY TO CURRENT LIMIT AT 20 mA MAXIMUM.
 INSERT MODULE INTO FIXTURE AND VERIFY BOTH LEDS LIGHT AND
 ARE IN THEIR PROPER LOCATION.
 - 6.0 TURNS RATIO:(100%) TEST AT 100 KHz,100mV
 PCB(1-3)/CABLE(1-2)=PCB(4-6)/CABLE(3-6)=1.00±2%

LED ELECTRICAL SPECIFICATION

PARAMETER	YELLOW (TYP.)		GREEN (TYP.)		UNITS	TEST CONDITIONS
POWER DISSIPATION	105		105		mW	
REVERSE VOLTAGE	5		5		V	
PEAK WAVELENGTH	590		565		nm	IF=20mA
FORWARD VOLTAGE	2.1	MAX.=2.5	2.2	MAX.=2.5	V	IF=20mA

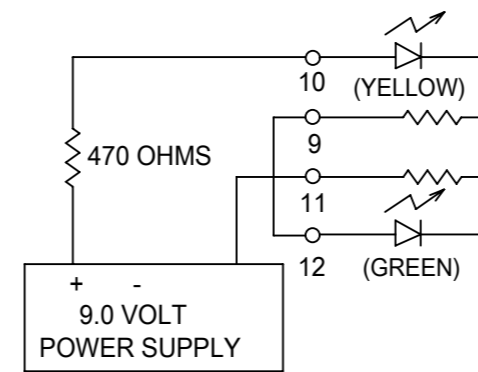


FIGURE 10

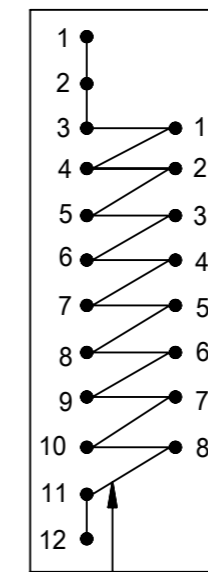


FIGURE 9

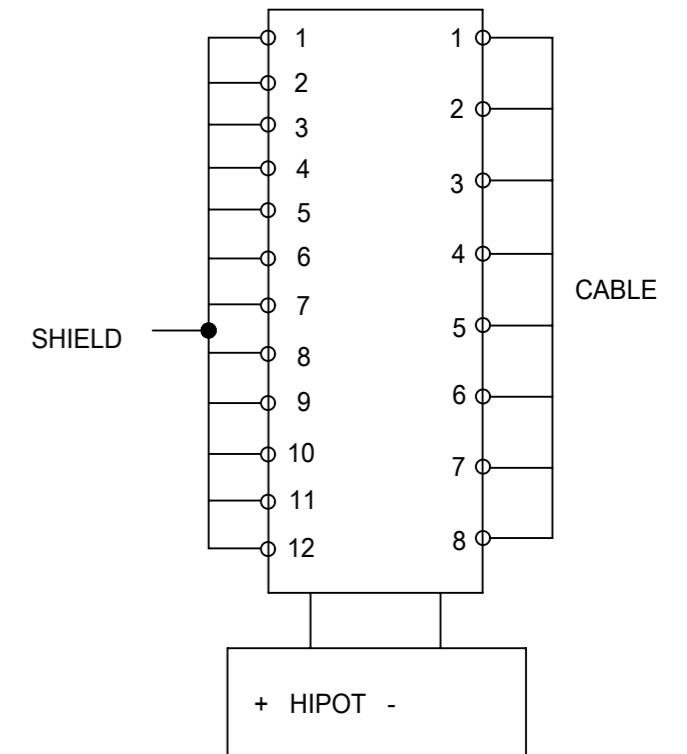
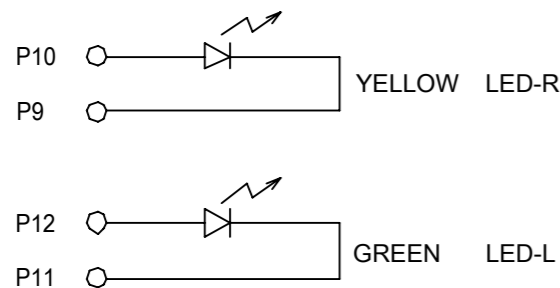


FIGURE 8



LED SCHEMATIC

SYMBOLS		THIS DRAWING CONTAINS INFORMATION THAT IS PROPRIETARY TO MOLEX ELECTRONIC TECHNOLOGIES, LLC AND SHOULD NOT BE USED WITHOUT WRITTEN PERMISSION	
▽ = 0	DIMENSION UNITS	SCALE	CURRENT REV DESC:
▽ = 0	mm	1:1	
▽ = 0	GENERAL TOLERANCES (UNLESS SPECIFIED)		
▽ = 0	ANGULAR TOL	± 3.0°	
▽ = 0	4 PLACES	±	EC NO: 177236
▽ = 0	3 PLACES	±	DRWN: GB 2018/05/10
▽ = 0	2 PLACES	± 0.25	CHK'D: JKACHLIC 2018/05/25
▽ = 0	1 PLACE	± 0.25	APPR: JKACHLIC 2018/05/25
▽ = 0	0 PLACES	±	INITIAL REVISION:
▽ = 0	DRAFT WHERE APPLICABLE MUST REMAIN WITHIN DIMENSIONS		
▽ = 0	THIRD ANGLE PROJECTION	DRAWING	SERIES
▽ = 0		A3-SIZE	48025
		MATERIAL NUMBER	CUSTOMER
		48025-1092	GENERAL MARKET
		DOCUMENT NUMBER	DOC TYPE DOC PART REVISION
		SD-48025-092	PSD 001 D
		SHEET NUMBER	2 OF 2