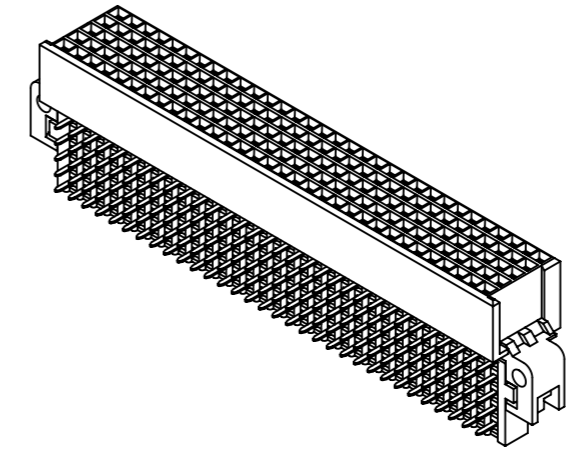
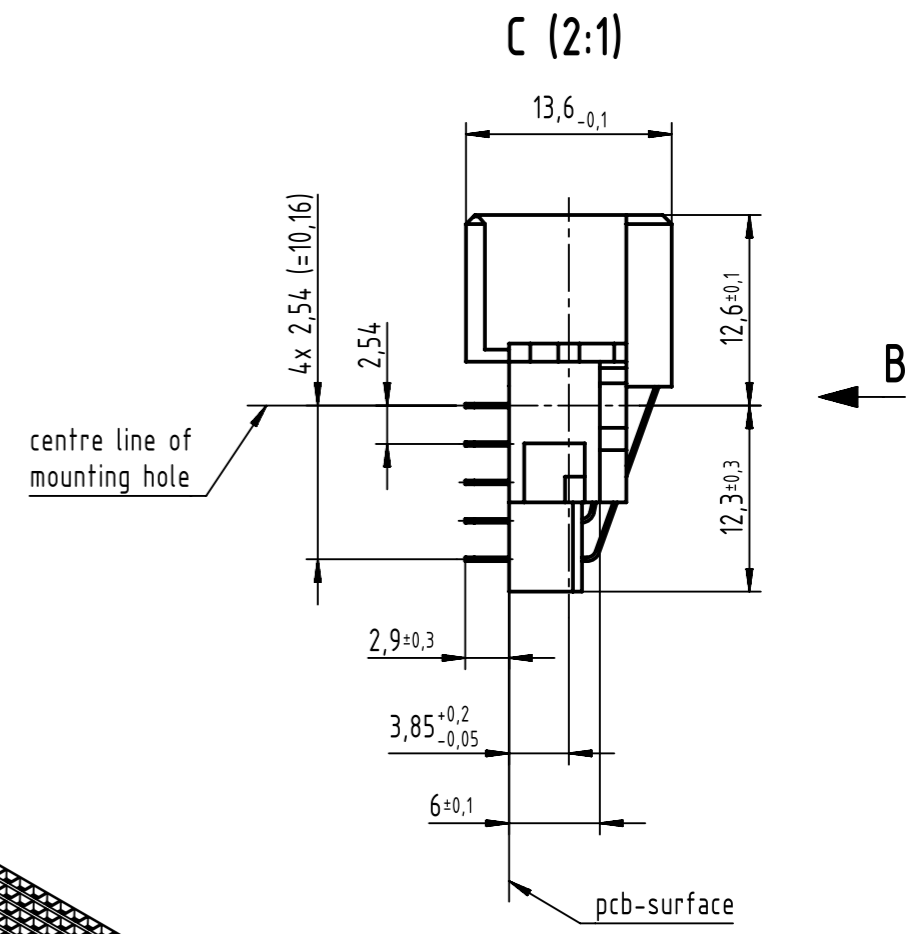
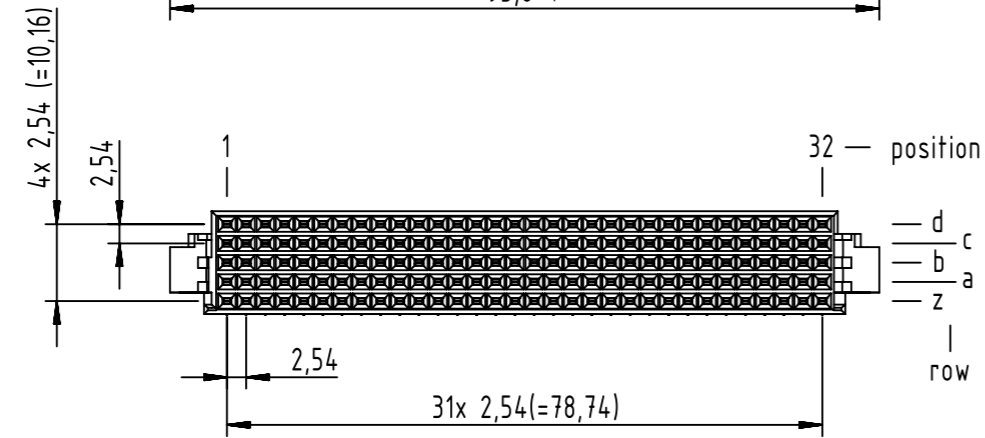
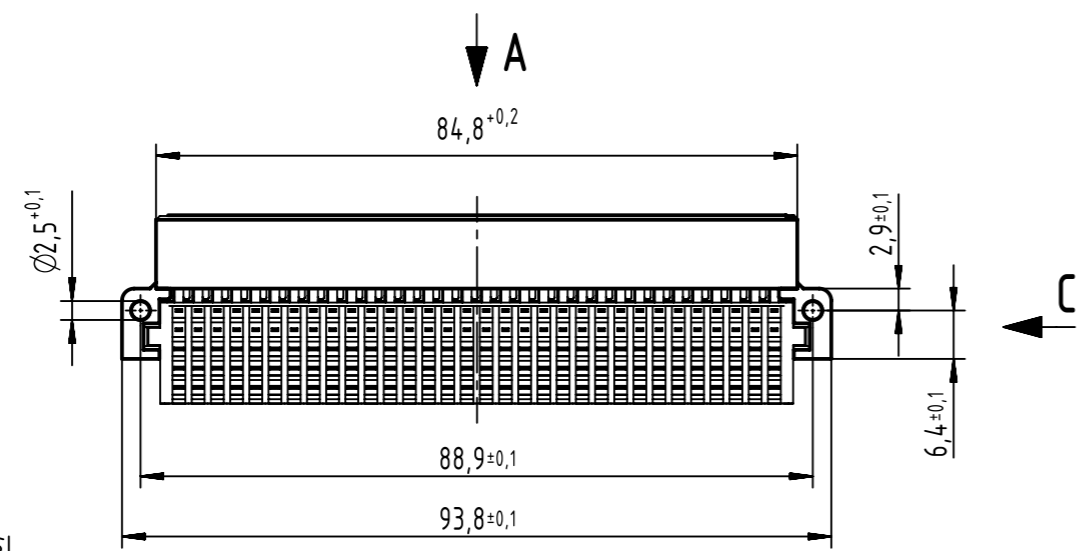
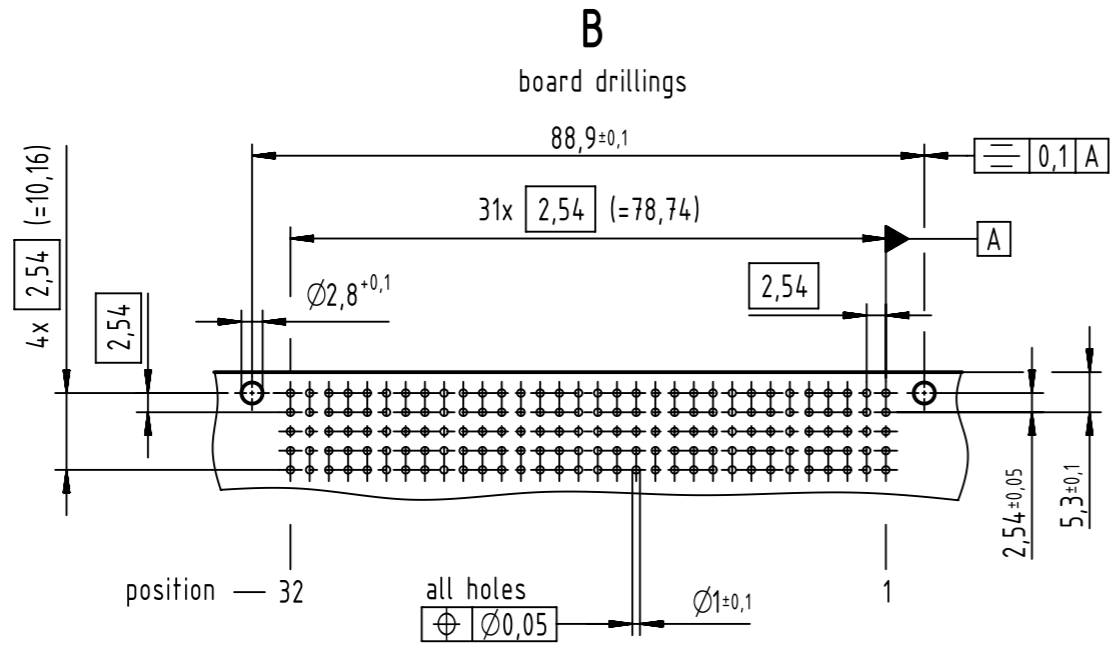


160 signal contacts
 x = position with contact
 □ = position without contact



02 04 160 1101		1	
part no.		performance level 1	
All Dimensions in mm Original Size DIN A3		Scale 1:1	Free size tol. complementary IEC 61076-4-113
Ref.		Sub. TB 02 04 160 x101 / 35956 / 03.12.2009	
All rights reserved Department EC PD - DE		Created by STORCK	Inspected by LEHNERT
Title har-bus 64 Transition Connector solder 160-pole		Standardisation KOHLER	Date 2015-05-06
HARTING Electronics GmbH D-32339 Espelkamp		Type TB	Number 0204160X101
Doc-Key / ECM-Nr. 100125598/UGD/010/B 500000088551		Rev. B	Page 1/1

1 further information see: DS 02042200201