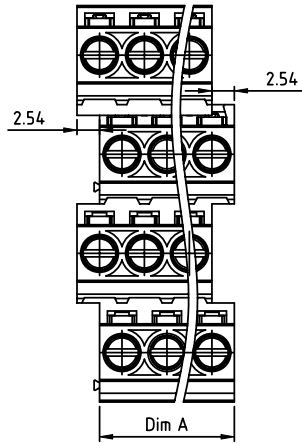


PRODUCT NUMBER	PITCH
Y1xx21x100J0G	5.08 mm



DIMENSION

Dim A=N/4x5.08
Dim B=(N/4-1)x5.08

N=Number of poles

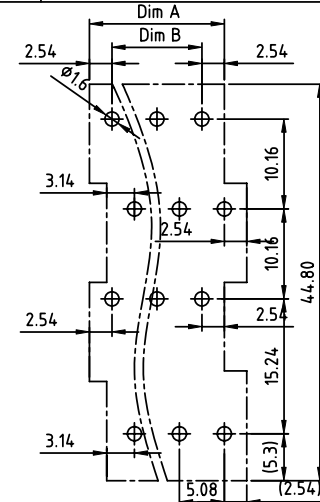
Poles	Tolerance
8poles~24poles	±0.15
28poles~48poles	±0.25
52poles~72poles	±0.30
76poles~96poles	±0.40

PART NO.: Y1 xx 21 x 1 00J0 G

End stackable
No. of poles 0
08 4x2 poles
12 4x3 poles
...
96 4x24 poles

Color
0 Black (RAL9005)
2 Red (RAL3001/D)
3 Orange(RAL2011/P)
4 Yellow(RAL1018/A)
5 Green(RAL6018/T)
6 Blue (RAL5015/A)
8 Grey(RAL7035/D)
9 White(RAL1102)
C Green(RAL6018/U)

RoHS compliant
(lead<4%)
In copper Alloy



RECOMMENDED P.C.B LAYOUT
TOP VIEW

Material:

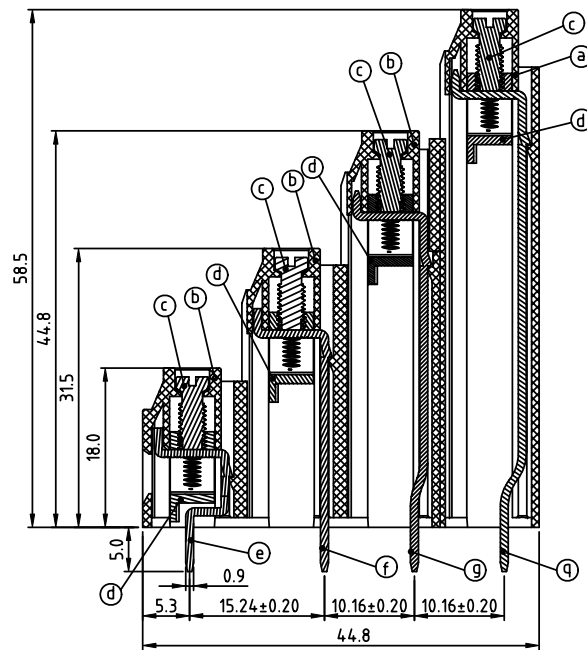
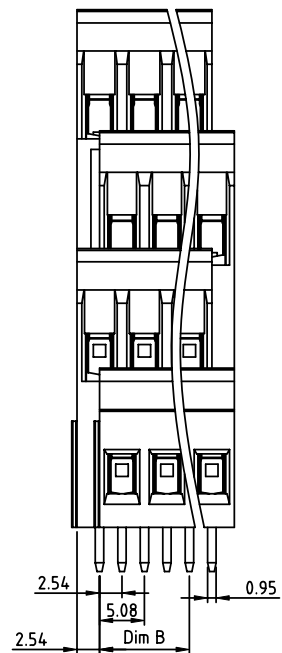
- Item ① Terminal housing : Thermoplastic (UL94V-0)(YG5.08)
- Item ② Terminal housing : Thermoplastic (UL94V-0)(YH5.08)
- Item ③ Terminal screw: Steel Zinc plating "-" slot type
- Item ④ Clamp : Brass , Ni plating
- Item ⑤ Solder pin1 : Brass, Tin plated
- Item ⑥ Solder pin2 : Brass, Tin plated
- Item ⑦ Solder pin3 : Brass, Tin plated
- Item ⑧ Solder pin4 : Brass, Tin plated

Electrical cULus

- Voltage rating: 300VAC
- Current rating: 15A
- Wire range:
- Solid wire(AWG): 12-28
- Stranded wire(AWG): 12-28
- Torque(Lb-In): 4.3
- Screw: M3
- Wire strip length: 6-7mm
- Withstanding Voltage: 1.6KV
- Operating temperature: -40°C to +115°C
- Soldering temperature: 260°C±5°C/5 Sec

A

A



mat'l. code	surface ASME Y14.5	tolerance ASME Y14.5	projection	product family
ltr	ecn	no dr	date	TERMINAL BLOCK
				title
				TERMINAL BLOCK
				scale
				RISING CLAMP,180D WIRE INLET,END STACKABLE
				dwg no
				sheet 1 of 1
				size
				Y1xx21x100J0G
				A4
				type
				CUSTOMER Drawing
sheet index	revision	A		
	sheet	1		

B

B