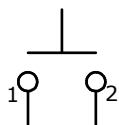


PANEL MOUNTING



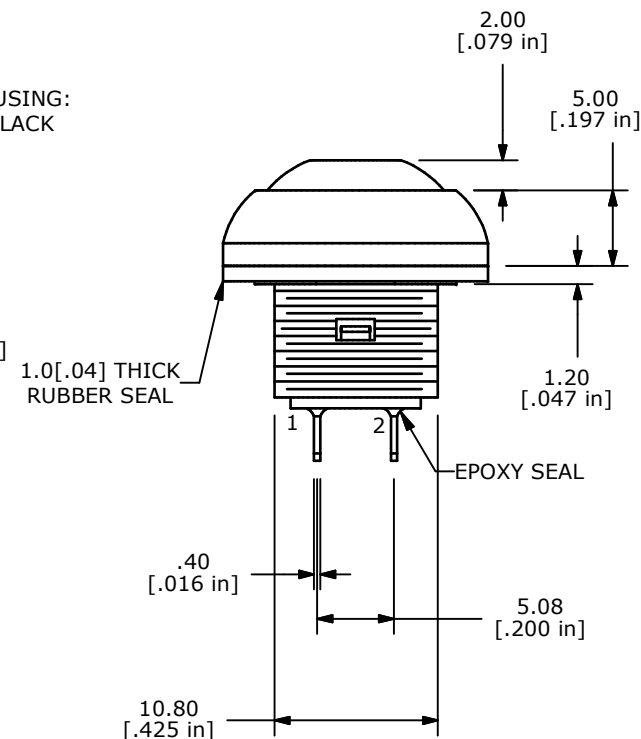
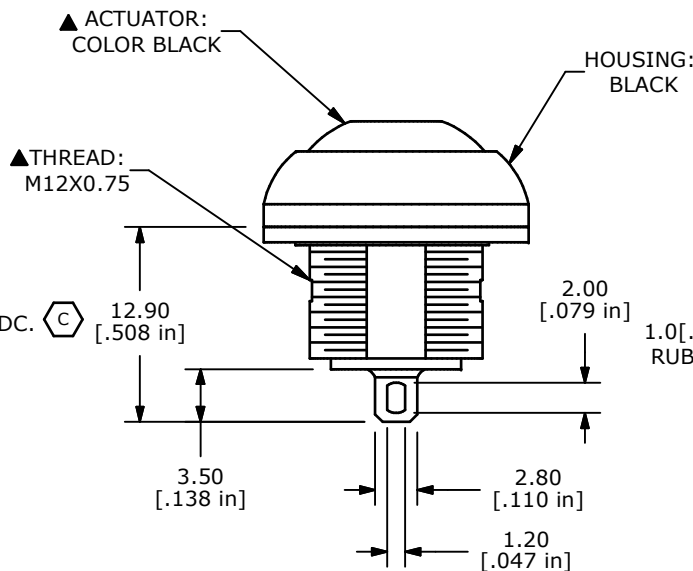
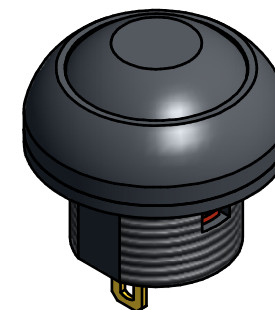
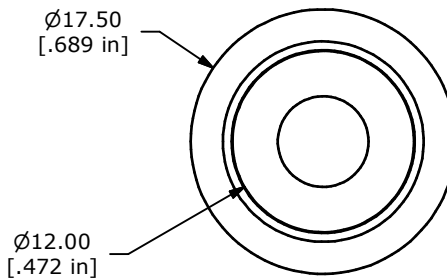
▲ **CIRCUIT: SPST**
OFF-(ON)
MOMENTARY B

NOTE:

1. ALL DIMENSIONS IN MM [INCH]
2. GENERAL TOLERANCE: X.X=±0.4
X.XX=±0.25
3. TERMINAL NUMBERS FOR REF ONLY
4. CIRCUIT: SPST OFF-MOMENTARY ON
5. CONTACT MATERIAL: Gold over SILVER
- ▲ 6. RATING: 125mA @ 125 VAC
100mA @ 50 VDC
- ▲ 7. ELECTRIC LIFE: 500,000 CYCLES AT FULL LOAD
8. CONTACT RESISTANCE: 50 milli-OHM max. (INITIAL)
9. INSULATION RESISTANCE: 1,000 MEGA-OHM min. @ 500VDC.
10. DIELECTRIC STRENGTH: 1,000 VAC rms.
- C 11. OPERATING FORCE: 350 gf +/- 150 gf
12. OPERATING TEMPERATURE: -30°C TO +85°C.
13. CONTACT BOUNCE: 10ms MAX.
- ▲ 14. TRAVEL: 1.5mm
15. PANEL THICKNESS RANGE: 1.5 - 4.0 mm.
16. ▲ DENOTES CRITICAL PARAMETER.
17. 2002/95/EC (ROHS) COMPLIANT
18. MAX MOUNTING TORQUE: 1.5 Nm APPLIED TO THE NUT
- ▲ 19. HARDWARE INCLUDED:

1. T081101 LOCK WASHER (1)
2. T081102HEX NUT (1)
3. T081100 RUBBER WASHER (1)

B 20. SEAL RATING: IP67 AT THE FRONT PANEL D



D	21593	CHANGE NOTE 20: IP67 WAS IP65	9/24/14	EBP
C	19473	CORRECT NOTE & DIM / DWG CLEAN-UP	11/24/10	BMA
B	19258	MISC. DRAWING UPDATES	10/25/10	BMA
A	17904	New Release	12/20/07	rc
REV	PCR NO	DESCRIPTION	DATE	BY

THE INFORMATION CONTAINED IN THIS DOCUMENT IS PROPRIETARY TO E-SWITCH AND IS NOT TO BE COPIED OR TRANSFERRED



TITLE RP8100B2M1CEBLKBLKNIL

SCALE	DATE	DR	DWG	REV
2 : 1	12/13/2007	rc	ST081000	D