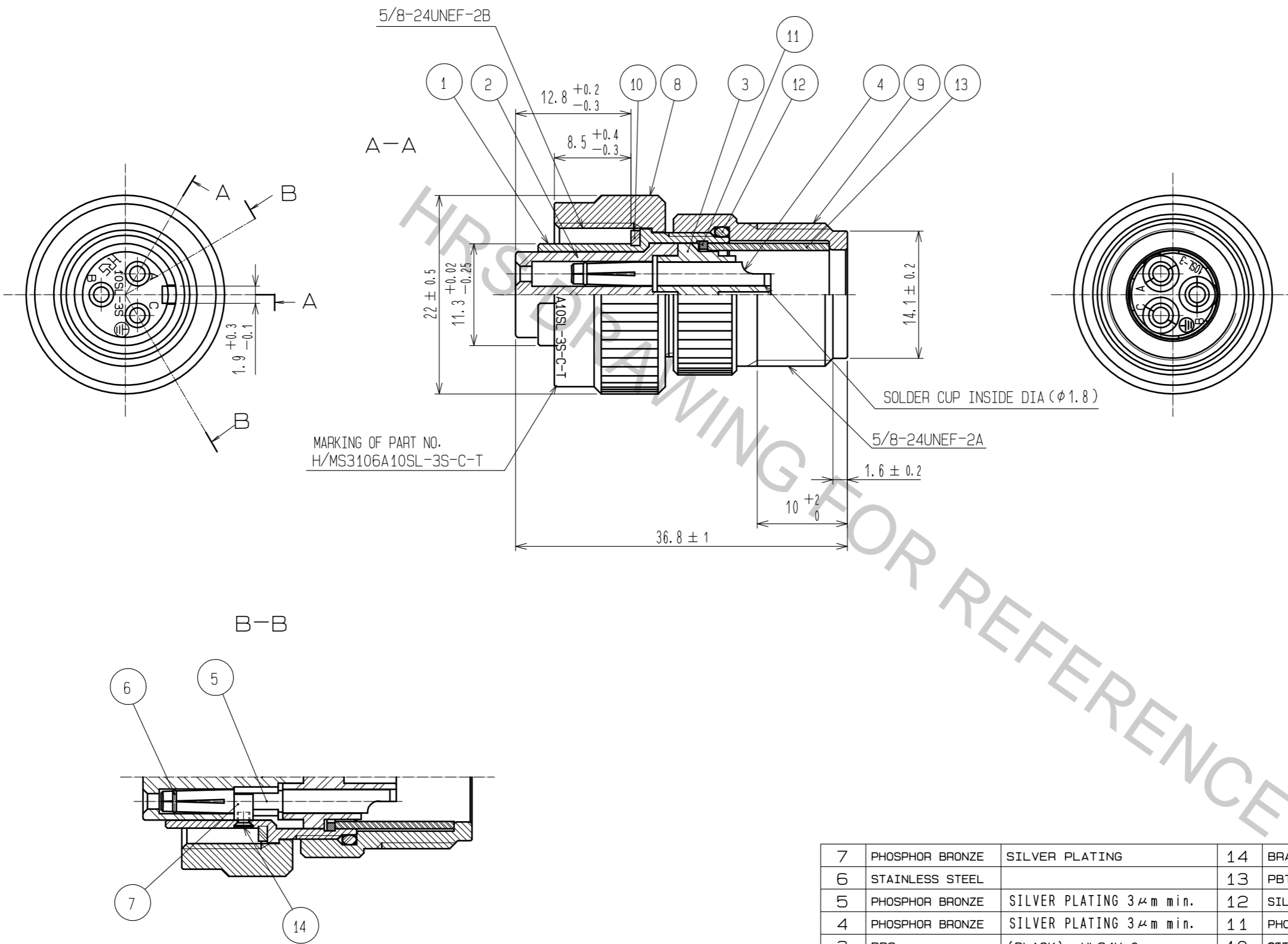


Aug.1.2018 Copyright 2018 HIROSE ELECTRIC CO., LTD. All Rights Reserved.  
 In case that the application demands a high level of reliability, such as automotive,  
 please contact a company representative for further information.



| 7   | PHOSPHOR BRONZE | SILVER PLATING                                | 14  | BRASS           | NICKEL PLATING                                |
|-----|-----------------|---|-----|-----------------|---|
| 6   | STAINLESS STEEL |   | 13  | PBT             | (BLACK) UL94V-0                               |
| 5   | PHOSPHOR BRONZE | SILVER PLATING 3 μm min.                      | 12  | SILICONE RUBBER | (BLACK)                                       |
| 4   | PHOSPHOR BRONZE | SILVER PLATING 3 μm min.                      | 11  | PHOSPHOR BRONZE | NICKEL PLATING                                |
| 3   | PPS             | (BLACK) UL94V-0                               | 10  | SCREW           | (BLACK)                                       |
| 2   | PBT             | (BLACK) UL94V-0                               | 9   | ALUMINUM ALLOY  | BLACK CHROMATE TREATMENT (TRIVALENT CHROMIUM) |
| 1   | ALUMINUM ALLOY  | BLACK CHROMATE TREATMENT (TRIVALENT CHROMIUM) | 8   | ALUMINUM ALLOY  | BLACK CHROMATE TREATMENT (TRIVALENT CHROMIUM) |
| NO. | MATERIAL        | FINISH . REMARKS                              | NO. | MATERIAL        | FINISH . REMARKS                              |

|                                      |  |                          |           |                          |                          |         |      |
|--------------------------------------|--|--------------------------|-----------|--------------------------|--------------------------|---------|------|
| UNITS<br>mm                          |  | SCALE<br>2 : 1           | COUNT<br> | DESCRIPTION OF REVISIONS | DESIGNED                 | CHECKED | DATE |
| <b>HRS</b> HIROSE ELECTRIC CO., LTD. |  | APPROVED : HY. KOBAYASHI | 18.06.11  | DRAWING NO.              | EDC-110224-73-00         |         |      |
|                                      |  | CHECKED : HY. KOBAYASHI  | 18.06.11  | PART NO.                 | H/MS3106A10SL-3S-C-T(73) |         |      |
|                                      |  | DESIGNED : HY. KISHI     | 18.06.11  | CODE NO.                 | CL120-0326-0-73          |         |      |
|                                      |  | DRAWN : HY. KISHI        | 18.06.11  |                          |                          |         |      |