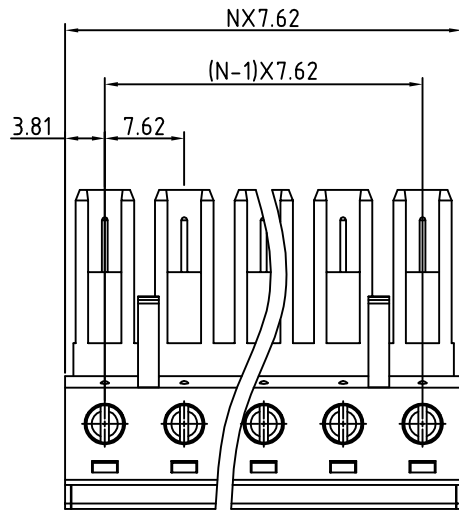
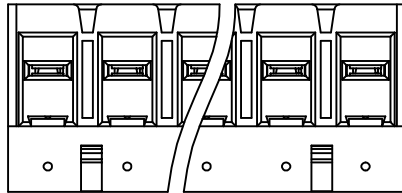
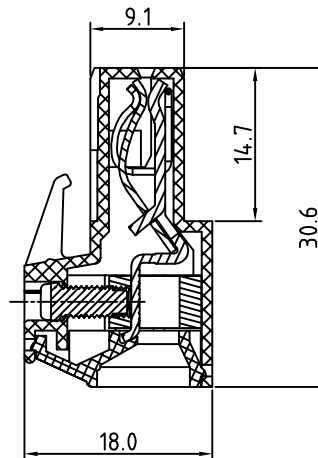


SIGN	DATE	DESCRIPTION	APPROVER
THIS IS CAD DRAWING, DO NOT REVISE MANUALLY!!!			



N=Number of poles



Material

- Terminal body(Contact pin) : Brass(CuZn)
- Terminal screw: SteelZinc plating"-slot type
- Wire guard : PhBz(CuSn) ,tin plated
- Spring: Stainless steel
- Insulator (housing): Thermoplastic (UL94V-0)

Electrical

cULus

- Voltage rating: 300V
- Current rating: 20A
- Wire range:
 - Solid wire(AWG): 10-30
 - Stranded wire(AWG): 10-30
- Torque(Lb-In): 4.5
- Screw: M3
- Wire strip length: 7-8mm
- Withstanding Voltage: 1.6KV
- Operating temperature: -30°C to +105°C
- Safety Approval:

RoHS Compliant

PART NUMBER:

OSTVBXX0150

No. of Poles
 02: 2 Poles
 :
 :
 12: 12 Poles

COLOR
 0: Black
 5: Green (Standard)
 6: Blue
 8: Grey



TITLE		OSTVB-7.62mm Series 2p-12p					
PART NO.		OSTVBXX0150		DWG NO.		8VB0001	
APPROVED		CHECKED	DESIGNED	DRAWN	CUST NO.		Tolerance
Shi Jun 2006.10.25		Marvin 2006.10.25	Marvin 2006.10.25	Marvin 2006.10.25			X. ±0.50
							UNIT: mm
					SHEET: 01/01		SCALE: NONE
					REV.: D		X.XX ±0.10
							X° ±1°