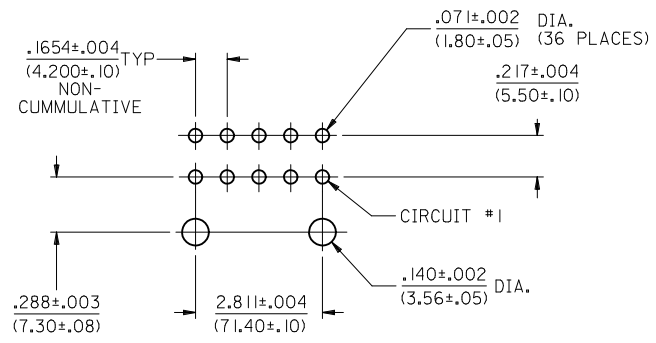
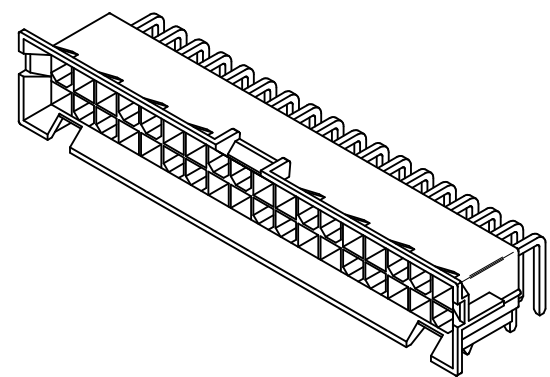


- NOTES:
- MATERIAL
HOUSING: "A" = UNFILLED POLYESTER. COLOR: BLACK
TERMINAL MATERIAL: BRASS
 - FINISH
A = .000100/(.00254) MIN. MATTE TIN OVER
.000050/(.00127) MIN. NICKEL OVERALL.
B = .000030/(.00076) MIN. SELECT GOLD,
.000100/(.00254) MIN. SELECT MATTE TIN OVER
.000050/(.00127) MIN. NICKEL OVERALL.
 - PRODUCT SPECIFICATION: PS-43759-001
 - PART MATES WITH MINI-FIT JR. RECEPTACLE 439740003, 445160013 & 437600001.
 - PARTS ARE NOT DESIGNED FOR CURRENT SHARING.
 - PART ALLOWS FOR .050/(1.27) MISALIGNMENT WITH MATING RECEPTACLE IN ANY DIRECTION. SEE MATING CONNECTOR DRAWINGS FOR SPECIFIC ALLOWANCES.
 - CONNECTOR ASSEMBLIES ARE NOT TO BE MATED OR UNMATED WHILE CIRCUITS ARE LIVE.
 - CIRCUITS SHOWN PROVIDE THE "MATE-FIRST/BREAK-LAST" FEATURE.
 - PARTS TO BE PACKAGED PER PACKAGING SPEC. PK-42404-002.
 - DISCOLORATION IN THE BANDOLIER CARRIER AREA OF THE PIN IS INHERENT TO THE PLATING PROCESS AND IS DUE TO THE MASKING EFFECT OF THE CARRIER. THIS DISCOLORATION IS IN A NON-FUNCTIONAL AREA OF THE PIN AND WILL NOT AFFECT THE PERFORMANCE OF THE HEADER ASSEMBLY.
 - THIS PART CONFORMS TO CLASS B REQUIREMENTS OF COSMETIC SPECIFICATION PS-45499-002, EXCEPT CLASS "C" ON BOTH SIDE RIBS.
 - FORMING MARKS ARE ACCEPTABLE



RECOMMENDED HOLE LAYOUT FOR
.070/(1.78) MAX. THICK P.C. BOARD
VIEWED FROM COMPONENT SIDE



CHANGE PLATING EC NO: UCP2012-1560 DRW: NGUYEN 2012/01/18 CHKD: JELL 2012/01/18 APPR: FSMITH 2012/02/02	QUALITY SYMBOLS ▽=0 ▽=0 ▽=0	GENERAL TOLERANCES (UNLESS SPECIFIED)		DIMENSION STYLE IN/MM		SCALE 2:1	DESIGN UNITS METRIC	THIRD ANGLE PROJECTION		
		mm	INCH	DRAWN BY CSTWEART	DATE 2003/03/11	TITLE RIGHT ANGLE HEADER ASSY 36 CIRCUIT MINI-FIT BMI				
		4 PLACES ± --- ± ---	3 PLACES ± --- ± .010	CHECKED BY MARGULIS	DATE 2003/03/18					
		2 PLACES ± 0.25 ± .015	1 PLACE ± 0.38 ± ---	APPROVED BY MARGULIS	DATE 2003/03/18	MOLEX INCORPORATED MATERIAL NO. SD-45567-001 SHEET NO. 1 OF 2				
ANGULAR ± 1/2°		SEE CHART								
DRAFT WHERE APPLICABLE MUST REMAIN WITHIN DIMENSIONS				THIS DRAWING CONTAINS INFORMATION THAT IS PROPRIETARY TO MOLEX INCORPORATED AND SHOULD NOT BE USED WITHOUT WRITTEN PERMISSION						

13	12	11	10	9	8	7	6	5	4	3	2	1																												
ITEM NO.	CKT. SIZE	LETTER INDICATES PIN PLATING AND LENGTH REQUIRED AT EACH CIRCUIT LOCATION. SEE CHARACTERISTICS LEGEND.																																						
		1	2	3	4	5	6	7	8	9	10	11	12	13	14	15	16	17	18	19	20	21	22	23	24	25	26	27	28	29	30	31	32	33	34	35	36			
455670001	36	AS	AS	AS	AS	AS	AS	AS	AS	AS	AS	AS	AS	AS	AS	AS	AS	AS	AS	AM	AM	AM	AM	AM	AM	AM	AM	AM	AM	AM	AM	AM	AM	AM	AM	AM	AM	AM	AM	
455670002	36	BS	BS	BS	BS	BS	BS	BS	BS	BS	BS	BS	BS	BS	BS	BS	BS	BS	BS	BM	BM	BM	BM	BM	BM	BM	BM	BM	BM	BM	BM	BM	BM	BM	BM	BM	BM	BM	BM	BM

TERMINAL PLATING AND LENGTH IDENTIFICATION

AS = TIN, STANDARD LENGTH
 BS = GOLD, STANDARD LENGTH
 AM = TIN, MAKE-FIRST/BREAK-LAST
 BM = GOLD, MAKE-FIRST/BREAK-LAST

SEE SHEET 1 EC NO: UCP2012-1560 DRW: NGUYEN 2012/01/18 CHKD: BELL 2012/01/18 APPR: F. SMITH 2012/02/02	QUALITY SYMBOLS	GENERAL TOLERANCES (UNLESS SPECIFIED)	DIMENSION STYLE	SCALE	DESIGN UNITS	THIRD ANGLE PROJECTION
	▽=0	mm INCH	IN/MM		METRIC	
	▽=0	4 PLACES ± --- ± ---	DRAWN BY DATE	TITLE		
	▽=0	3 PLACES ± --- ± .010	CSTWEART 2003/03/11	CHECKED BY DATE		
	2 PLACES ± 0.25 ± .015	MARGULIS 2003/03/18	APPROVED BY DATE	MOLEX INCORPORATED		
	1 PLACE ± 0.38 ± ---	MARGULIS 2003/03/18	MATERIAL NO.	DOCUMENT NO.	SHEET NO. 2 OF 2	
	ANGULAR ± 1/2°		SEE CHART			
		DRAFT WHERE APPLICABLE MUST REMAIN WITHIN DIMENSIONS	THIS DRAWING CONTAINS INFORMATION THAT IS PROPRIETARY TO MOLEX INCORPORATED AND SHOULD NOT BE USED WITHOUT WRITTEN PERMISSION			