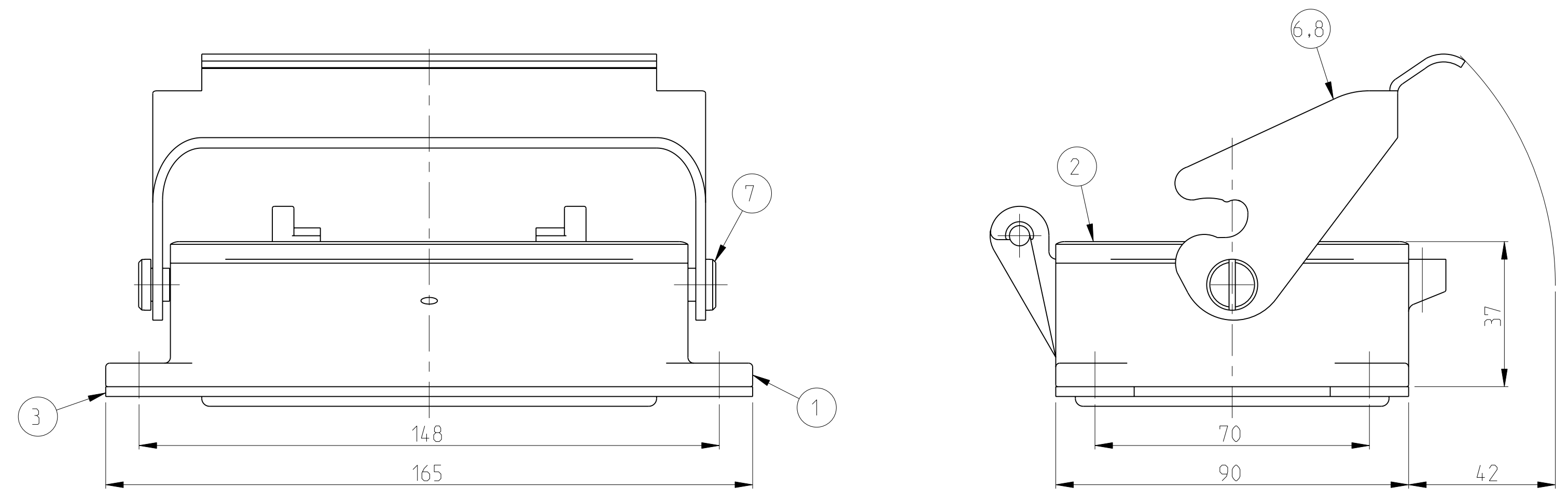
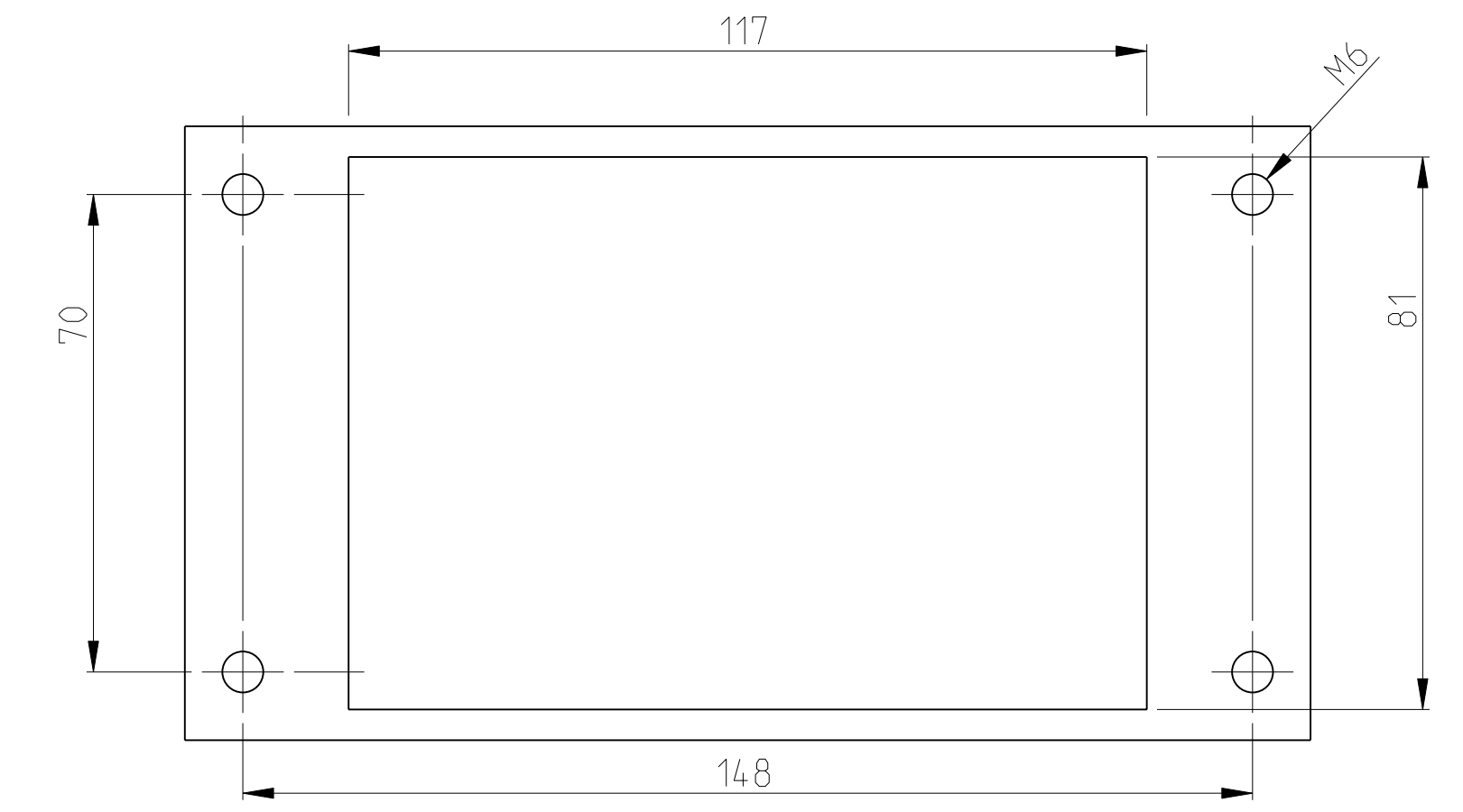


PN 0-1 & 0-3

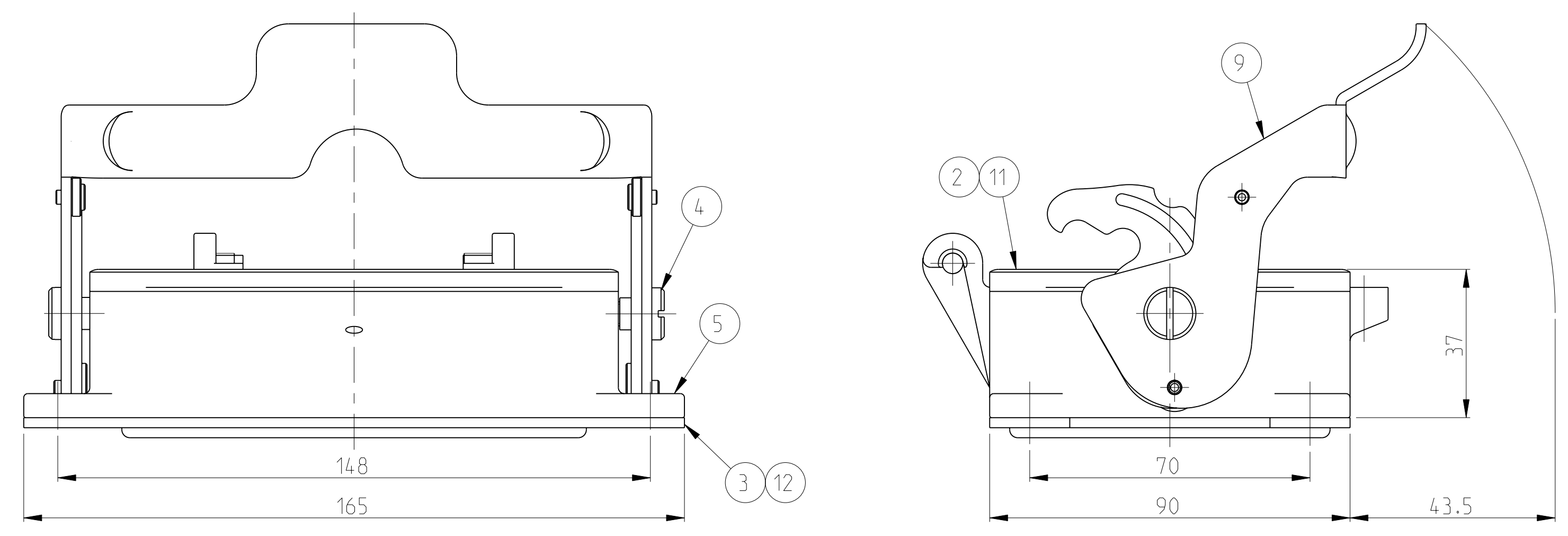


- NOTES.
- 1 Material:Housing:Aluminium Diecasting Alloy
  - 2 Varnish on the inside not necessary
  - 3 Packaging  
Quantity 3 Pieces in a box

PANEL CUT-AUT



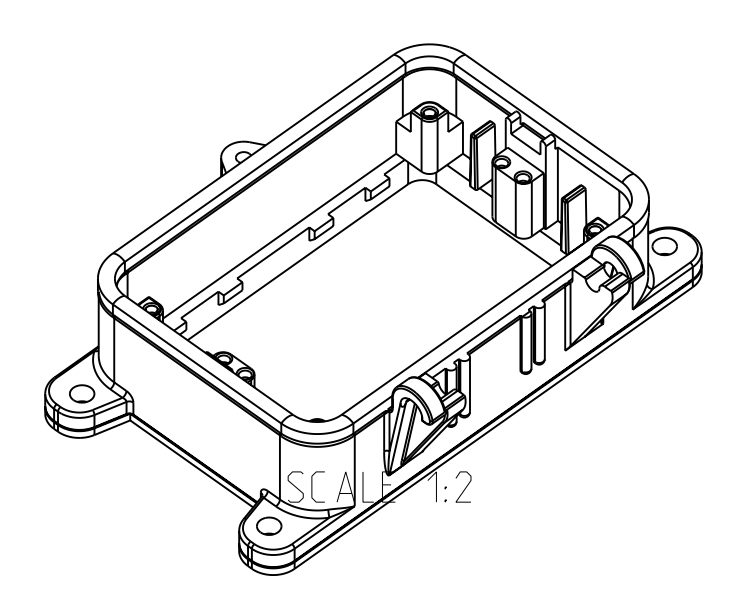
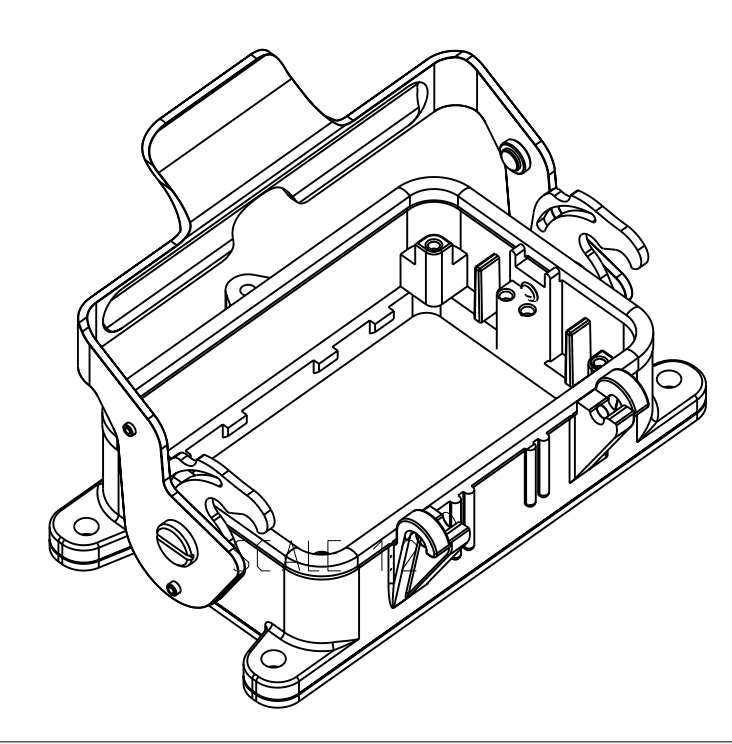
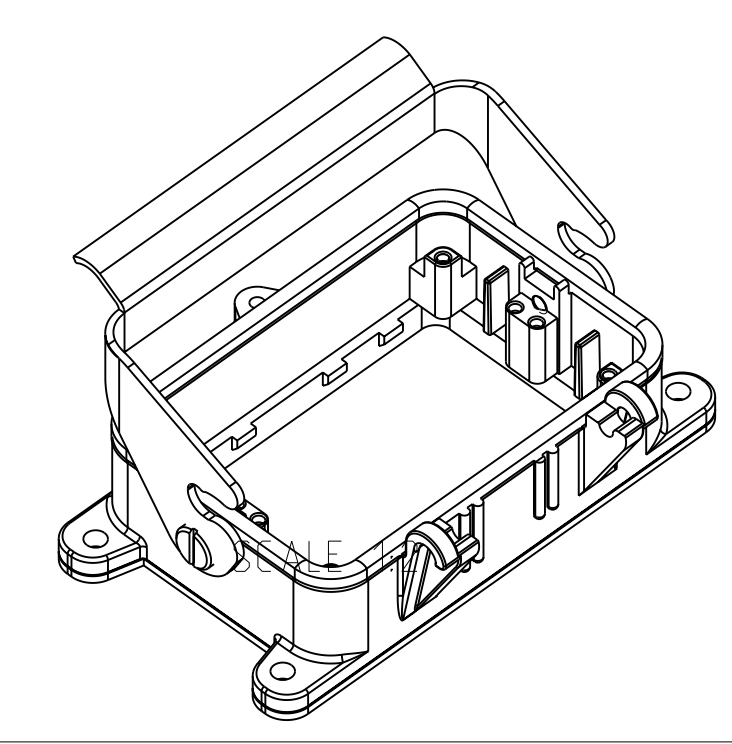
PN 0-2 & 0-5



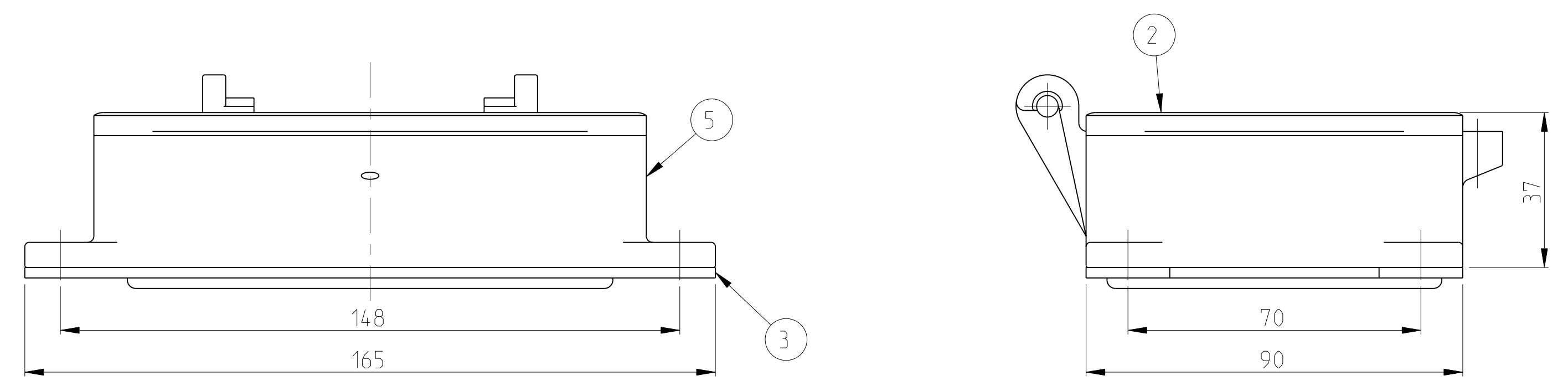
PN 0-1 & 0-3

PN 0-2 & 0-5

PN 0-4



PN 0-4



QTY	DESCRIPTION	MATERIAL	SURFACE	COLOR	ITEM NO	NOTES
1	Flanged Seal	Viton		Gray RAL 7001	12	
1	Profile Seat	Viton		Gray RAL 7001	11	
1	Surface mounted housing bottom entry	Aluminium		Grey RAL 7001	10	
1	Side clip	Stainless steel	Blank		9	
1	Side clip	Steel	Zinc plated	Blue	8	
2	Screw	Steel	Zinc plated	Blue	7	
1	Side clip	Steel	Zinc plated	Blue	6	
1	Surface mounted housing bottom entry	Aluminium		Grey RAL 7001	5	Netural
2	Screw	Stainless steel	Blank		4	
1	Flanged seal	Neoprene		Black RAL 9005	3	
1	Profile seal	Neoprene		Black RAL 9005	2	
1	Surface mounted housing bottom entry	Aluminium		Grey RAL 7001	1	
0-5	0-4	0-3	0-2	0-1	DESCRIPTION	
ORDERING TEXT						
HB.48.AG-LB						
HB.48.AG-LB						
HB.48.AG-LB-BRUD						
HB.48.AG						
HB.48.AG-LB						

DIMENSIONS: mm 		TOLERANCES UNLESS OTHERWISE SPECIFIED: 0 PLC ±0.15 1 PLC ±0.2 2 PLC ±0.3 3 PLC ±0.4 4 PLC ±0.5 ANGLES ±0.5°		DWN R.SCHNEIDER 16AUG2007 CHK R.SCHNEIDER 16AUG2007 APVD R.SCHNEIDER		Tyco Electronics AMP GmbH 53757 Sankt Augustin, Germany	
MATERIAL: - FINISH: -		PRODUCT SPEC: SURFACE MOUNTED HOUSING BOTTOM ENTRY ASSY HB.48.AG-LB		APPLICATION SPEC:		SIZE: A1 CAGE CODE: 00779 DRAWING NO: C=1102061	
CUSTOMER DRAWING		WEIGHT: -		SCALE: 1:1		SHEET: 1 OF 1 REV: B4	