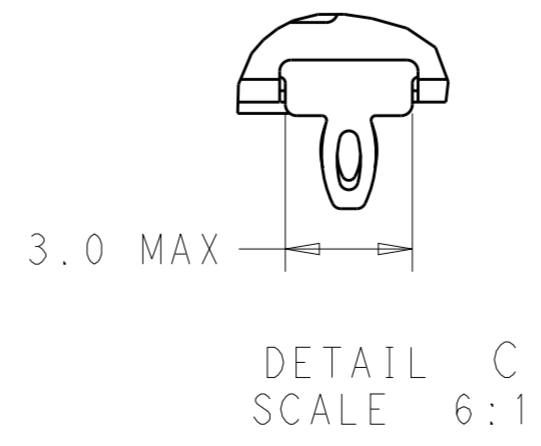
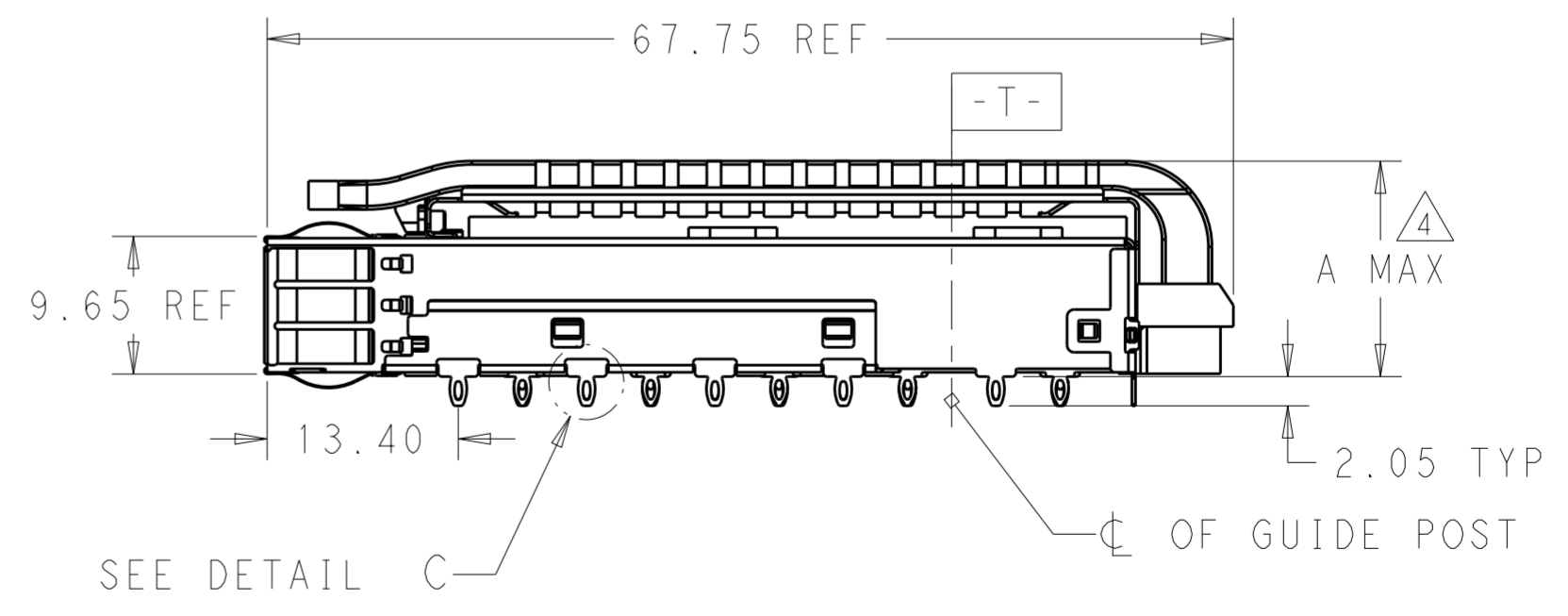
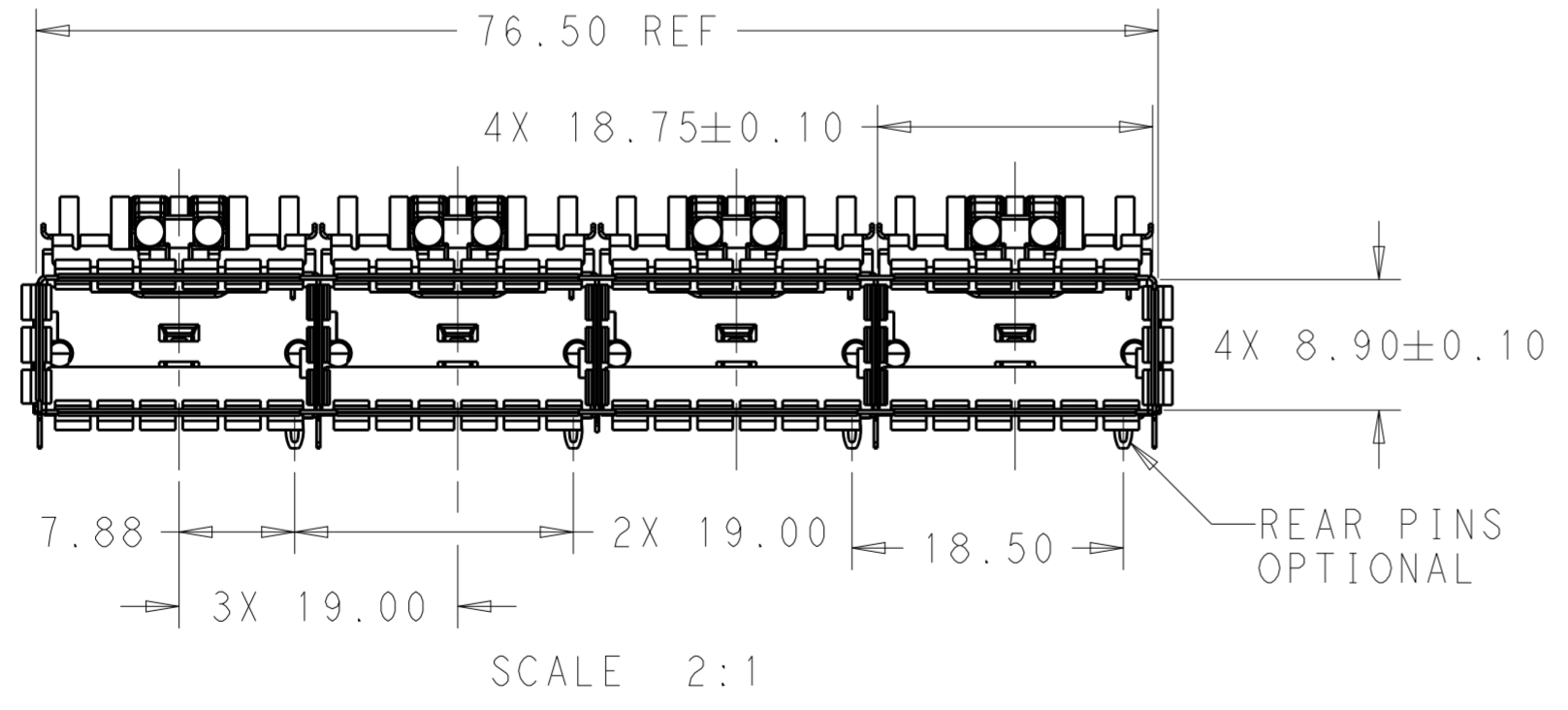
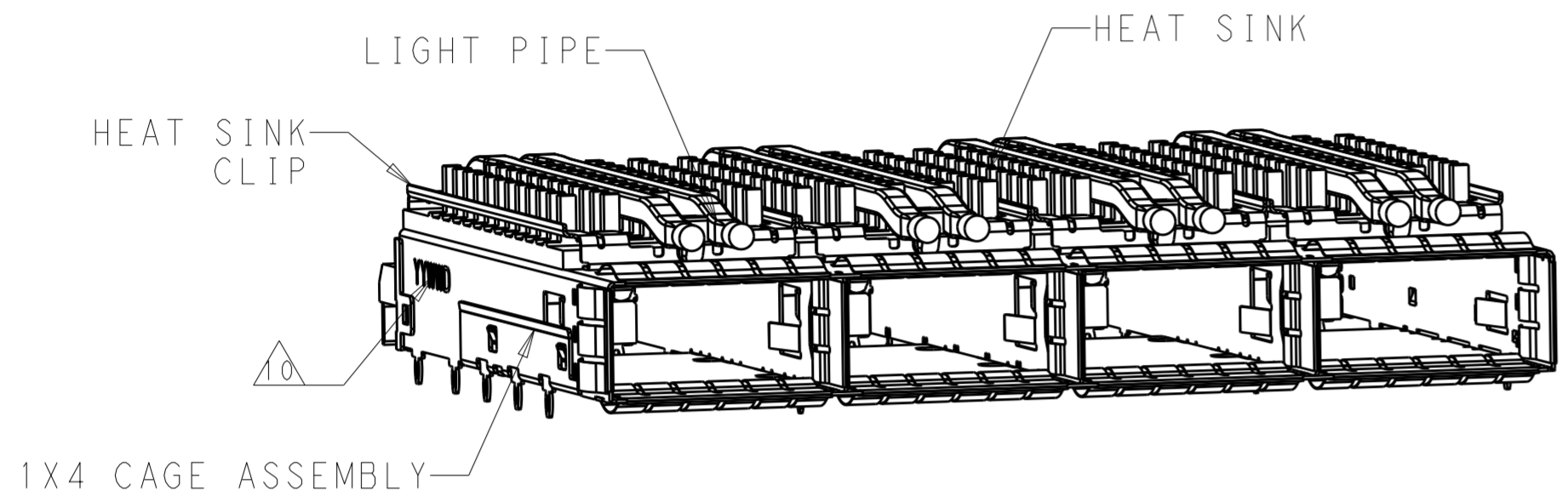


THIS DRAWING IS UNPUBLISHED. RELEASED FOR PUBLICATION 20  
 © COPYRIGHT 20 BY - ALL RIGHTS RESERVED.

REVISIONS				
P	LTR	DESCRIPTION	DATE	APVD
	A	RELEASE	31OCT2016	JY SH

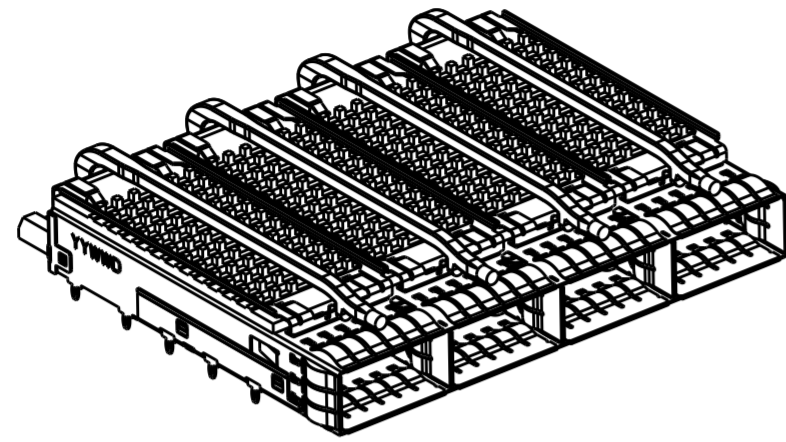
1. COMPONENTS  
 CAGE ASSEMBLY: NICKEL-SILVER ALLOY  
 HEAT SINK: ALUMINUM/BLACK ANODIZE  
 HEAT SINK CLIP: STAINLESS STEEL  
 EMI SPRING: COPPER ALLOY/NICKEL PLATE  
 LIGHT PIPE: CLEAR POLYCARBONATE  
 ORGANIZER: POLYESTER WITH UL 94 V-0
2. REFERENCE APPLICATION SPECIFICATION 114-23023 FOR RECOMMENDED DRILL HOLE DIAMETER AND PLATING THICKNESS
3. DATUM AND BASIC DIMENSION ESTABLISHED BY CUSTOMER
4. DIMENSION APPLIES WITH MODULE INSERTED IN CAGE
5. HEAT SINKS, HEAT SINK CLIPS AND LIGHT PIPES ARE SHIPPED ASSEMBLED ON CAGE
6. MINIMUM PC BOARD THICKNESS: SINGLE SIDED: 1.57 MIN  
 DOUBLE SIDED: 2.20 MIN
7. DATUM **-A-** IS TOP SURFACE OF THE HOST BOARD.
8. THESE HOLES ARE OPTIONAL WHEN THE REAR PINS ARE REMOVED.
9. MATES WITH QSFP28 MSA COMPATIBLE TRANSCEIVER.
10. DATE CODE (YYWWD) MARKED APPROXIMATELY AS SHOWN.
11. NOTED DIMENSIONS ONLY APPLY TO CAGE ASSEMBLY WITH LIGHT PIPE.
12. THE CUSTOMIZED HEAT SINK HAVE NO SURFACE FINISH ONLY FOR 2170747-71-8.
13. CAGE ASSEMBLY WITH HS AND LIGHT PIPE ARE UNASSEMBLED, AND PACKAGED INDIVIDUALLY IN TRAYS. ONLY APPLICABLE TO 2170747-7.



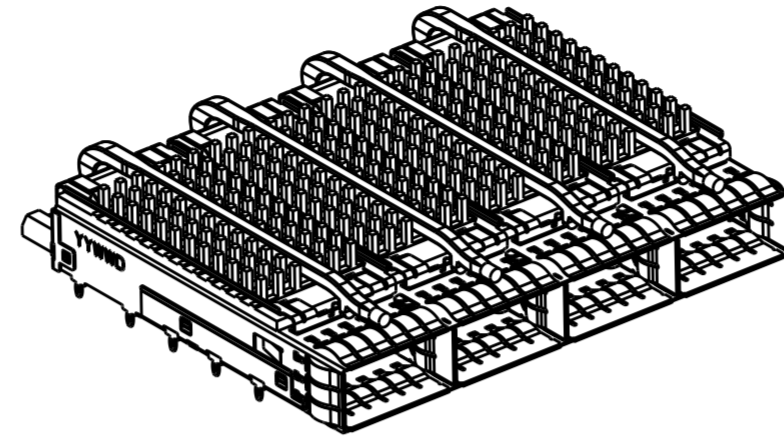
THIS DRAWING IS A CONTROLLED DOCUMENT.		DWN 04JUN2014 JASON YANG	TE Connectivity	
DIMENSIONS: mm		CHK -		
TOLERANCES UNLESS OTHERWISE SPECIFIED:		APVD -	PRODUCT SPEC	RECEPTACLE CAGE ASSEMBLY WITH HEAT SINKS AND LIGHT PIPES, THRU BEZEL, 1X4, QSFP28, SPRING
0 PLC ±	1 PLC ±0.25	2 PLC ±0.2	APPLICATION SPEC	108-19428
3 PLC ±	4 PLC ±	ANGLES ±	FINISH	114-32023
MATERIAL SEE NOTES	SEE NOTES	WEIGHT -	SIZE	A200779
		CUSTOMER DRAWING	CAGE CODE	C-2170747
		SCALE 1:1	SHEET 1 OF 10	REV A

REVISIONS				
P	LTR	DESCRIPTION	DATE	APVD
-		SEE SHEET 1	-	-

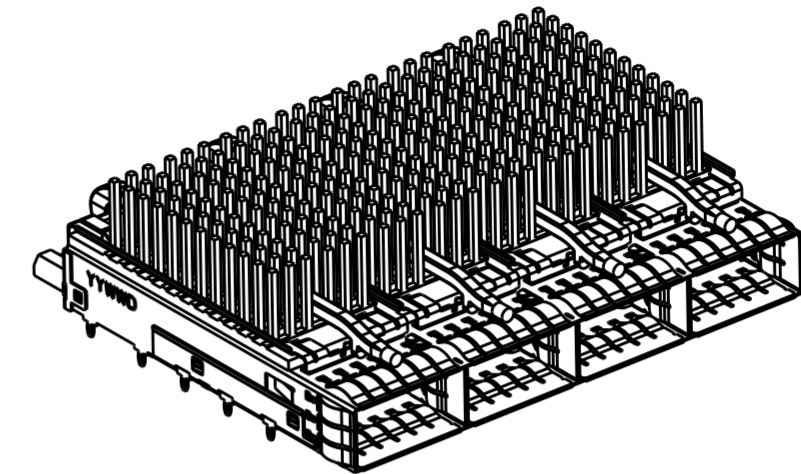
# HEAT SINK OPTION



PCI HEAT SINK  
SCALE 1:1

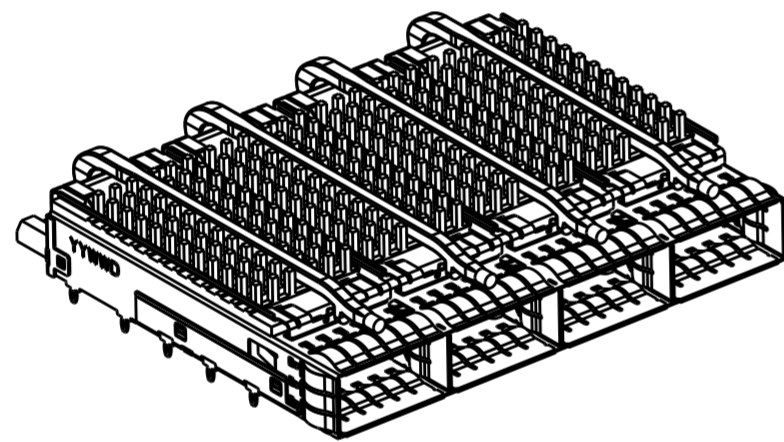


SAN HEAT SINK  
SCALE 1:1

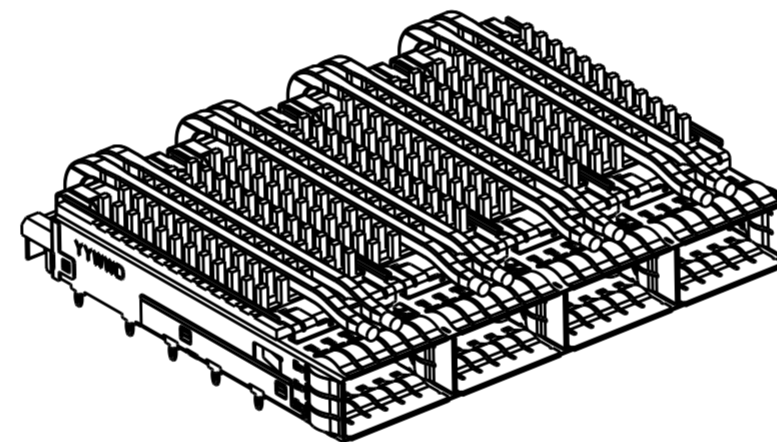


NETWORKING HEAT SINK  
SCALE 1:1

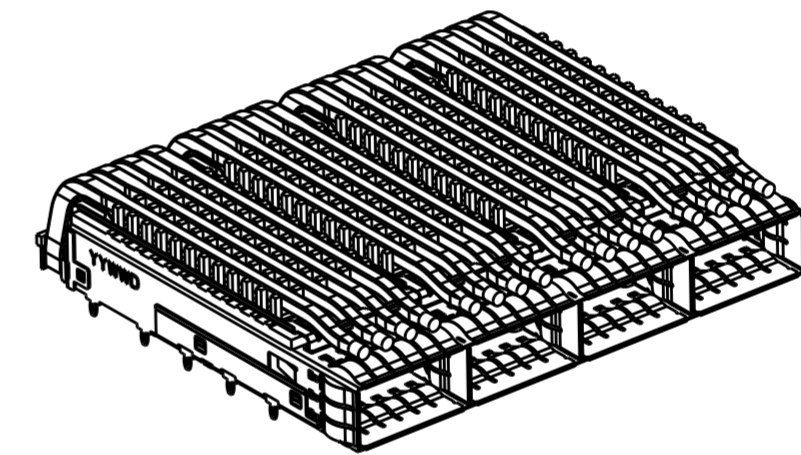
# LIGHT PIPE OPTION



SINGLE LIGHT PIPE  
SCALE 1:1

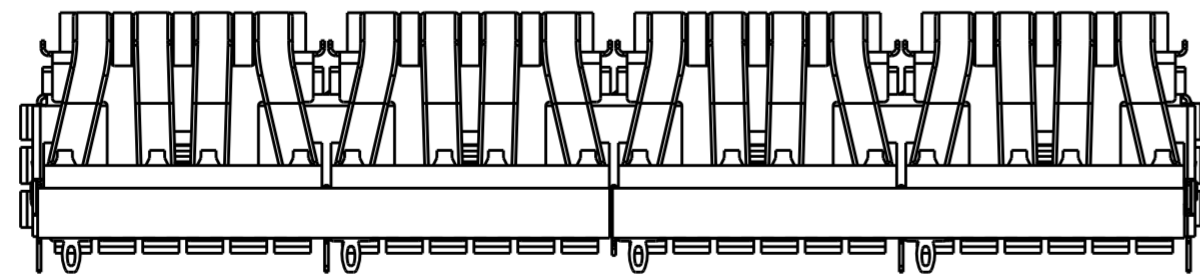


DUAL LIGHT PIPE  
SCALE 1:1

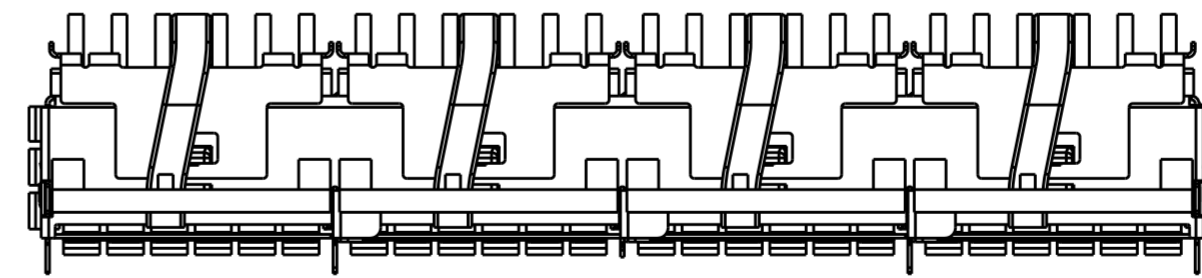


QUAD LIGHT PIPE  
SCALE 1:1


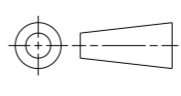
# # OF REAR PIN OPTION



1 REAR PIN  
SCALE 2:1

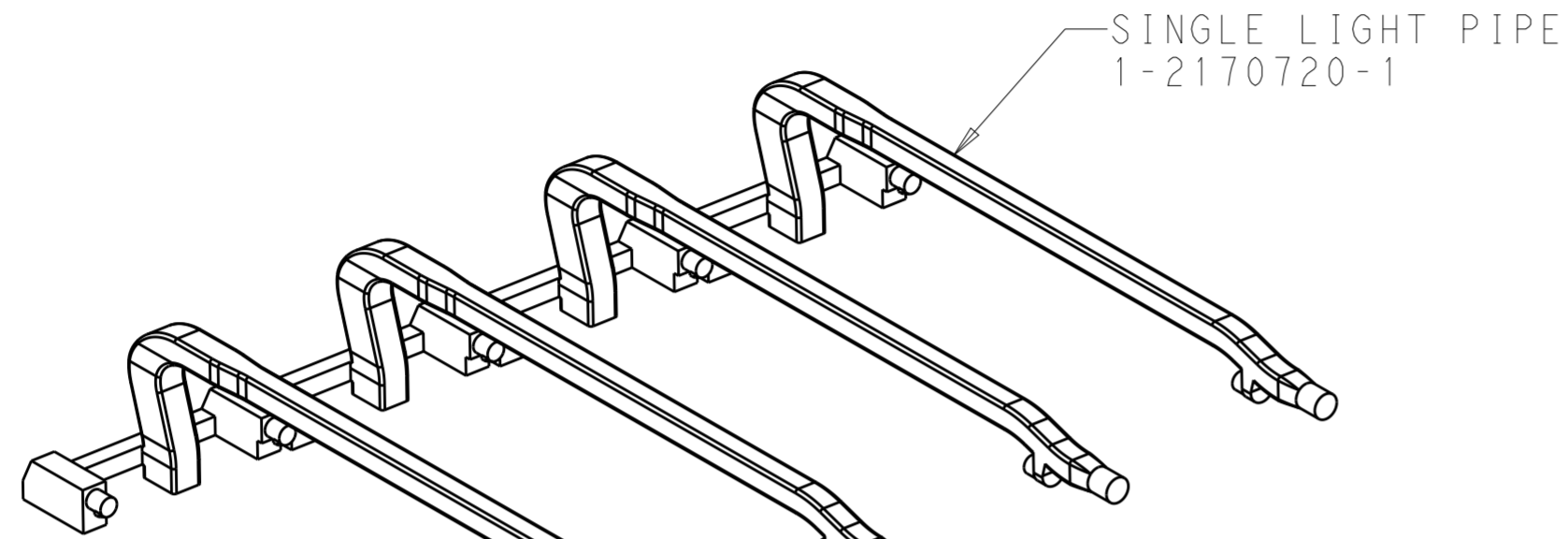


0 REAR PIN  
SCALE 2:1

THIS DRAWING IS A CONTROLLED DOCUMENT.		DWN 04JUN2014 JASON YANG	 TE Connectivity	
DIMENSIONS: mm		CHK - APVD -		
		PRODUCT SPEC 108-19428	SIZE 114-32023	RESTRICTED TO
TOLERANCES UNLESS OTHERWISE SPECIFIED: 0 PLC ±- 1 PLC ±0.25 2 PLC ±0.2 3 PLC ±- 4 PLC ±- ANGLES ±- FINISH		APPLICATION SPEC 114-32023	WEIGHT -	SCALE 1:1
MATERIAL SEE NOTES		CAGE CODE A200779		DRAWING NO C-2170747
SEE NOTES		CUSTOMER DRAWING		SHEET 2 OF 10 REV A

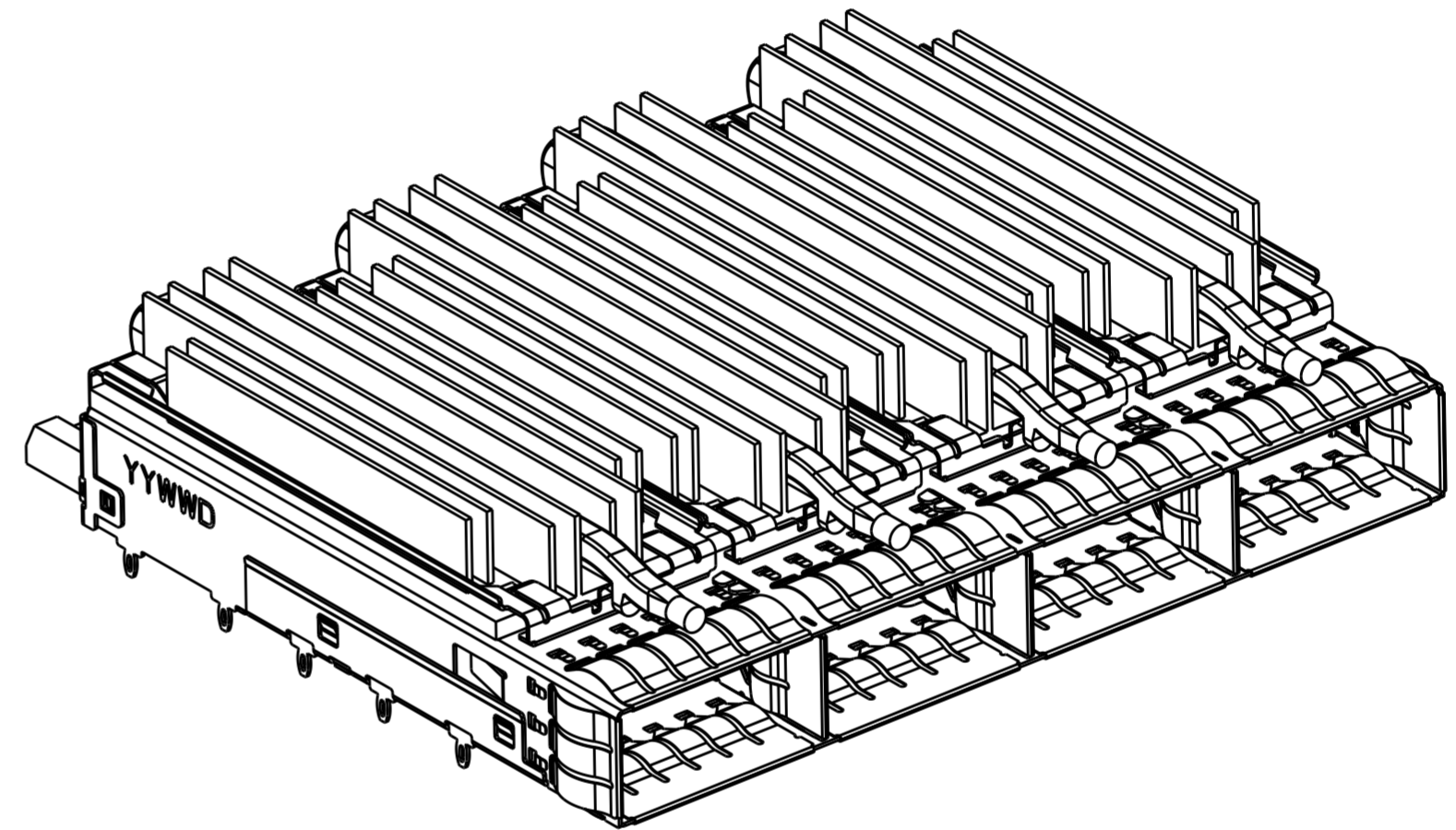
THIS DRAWING IS UNPUBLISHED. RELEASED FOR PUBLICATION 20  
 © COPYRIGHT 20 BY - ALL RIGHTS RESERVED.

REVISIONS				
P	LTR	DESCRIPTION	DATE	APVD
-	-	SEE SHEET 1	-	-



CAGE ASSEMBLY WITH HS  
2170745-7

2170747-7 UNASSEMBLED <sup>13</sup>  
 CAGE ASSY WITH HS AND LIGHT PIPE ARE UNASSEMBLED,  
 AND PACKAGED INDIVIDUALLY.  
 CUSTOMIZED HEAT SINK  
 SCALE 2:1



2170747-8 ASSEMBLED  
 ASSEMBLED AND PAKCAGED TOGETHER, CUSTOMIZED HEAT SINK  
 SCALE 2:1


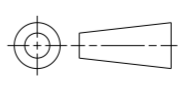
THIS DRAWING IS A CONTROLLED DOCUMENT.		DWN 04JUN2014 JASON YANG	TE Connectivity	
DIMENSIONS: mm		CHK - APVD -		
		TOLERANCES UNLESS OTHERWISE SPECIFIED:		NAME RECEPTACLE CAGE ASSEMBLY WITH HEAT SINKS AND LIGHT PIPES, THRU BEZEL, 1X4, QSFP28, SPRING
MATERIAL SEE NOTES		0 PLC ±- 1 PLC ±0.25 2 PLC ±0.2 3 PLC ±- 4 PLC ±- ANGLES ±- FINISH	PRODUCT SPEC 108-19428 APPLICATION SPEC 114-32023 WEIGHT -	SIZE A200779
SEE NOTES		CUSTOMER DRAWING		DRAWING NO C-2170747
		SCALE 1:1		RESTRICTED TO -
		SHEET 3 OF 10		REV A

THIS DRAWING IS UNPUBLISHED. RELEASED FOR PUBLICATION 20  
 © COPYRIGHT 20 BY - ALL RIGHTS RESERVED.

REVISIONS				
P	LTR	DESCRIPTION	DATE	APVD
-		SEE SHEET 1	-	-

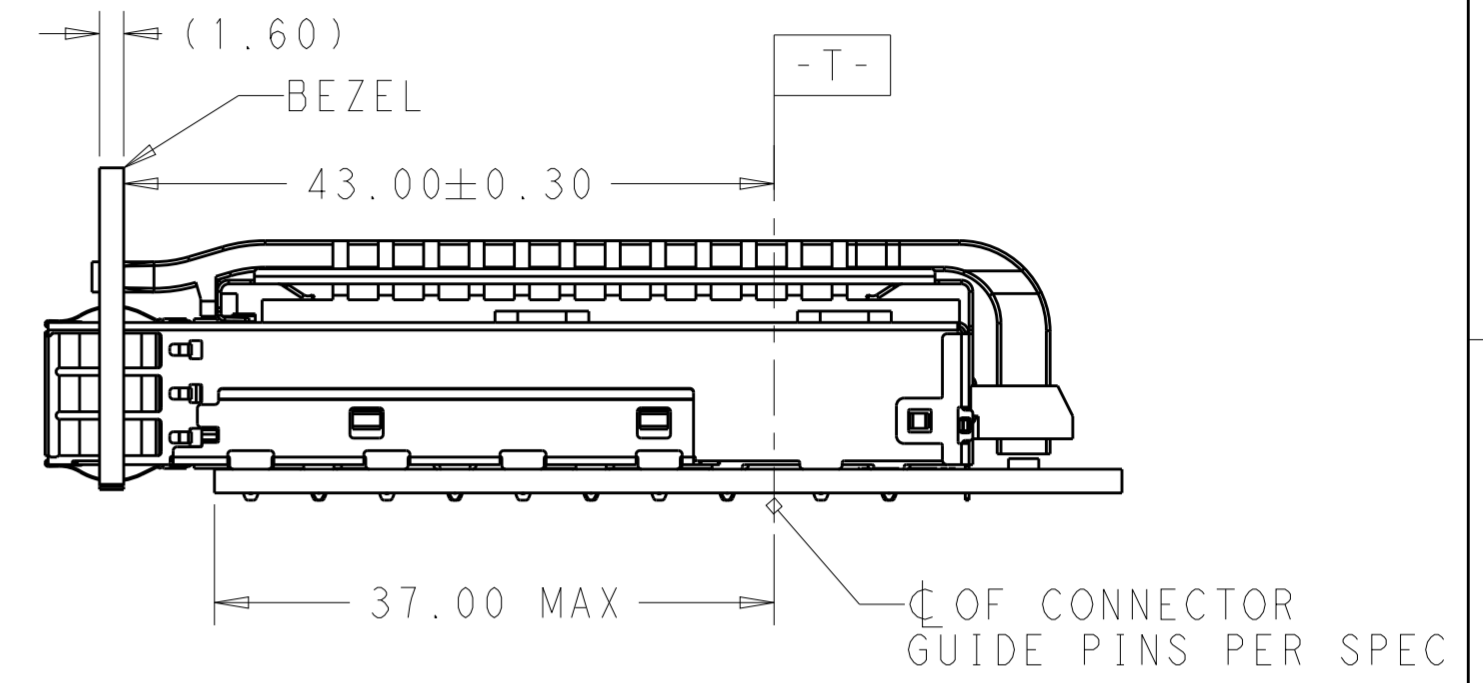
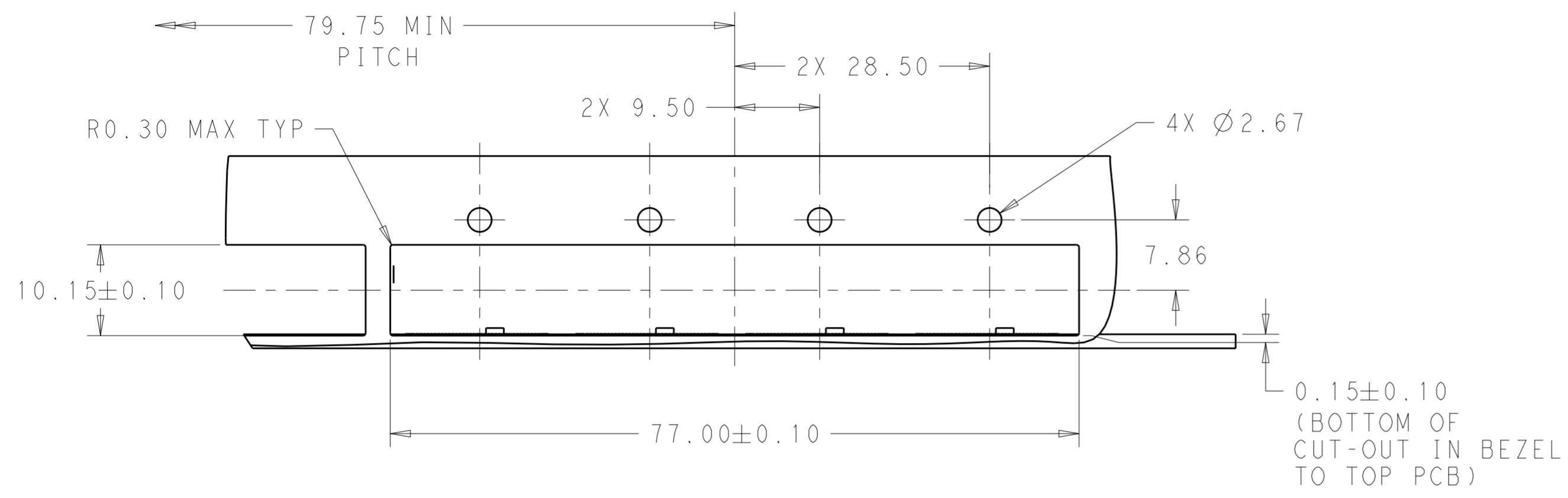
1	16.0	SAN	COATED QUAD LP	5-2170747-2
0	23.0	NETWORKING	QUAD LP	4-2170747-6
0	16.0	SAN	QUAD LP	4-2170747-5
0	13.7	PCI	QUAD LP	4-2170747-4
1	23.0	NETWORKING	QUAD LP	4-2170747-3
1	16.0	SAN	QUAD LP	4-2170747-2
1	13.7	PCI	QUAD LP	4-2170747-1
0	23.0	NETWORKING	DUAL LP	2-2170747-6
0	16.0	SAN	DUAL LP	2-2170747-5
0	13.7	PCI	DUAL LP	2-2170747-4
1	23.0	NETWORKING	DUAL LP	2-2170747-3
1	16.0	SAN	DUAL LP	2-2170747-2
1	13.7	PCI	DUAL LP	2-2170747-1
0	18.05	CUSTOMIZED	SINGLE LP	2170747-8
0	18.05	CUSTOMIZED	SINGLE LP	2170747-7
0	23.0	NETWORKING	SINGLE LP	2170747-6
0	16.0	SAN	SINGLE LP	2170747-5
0	13.7	PCI	SINGLE LP	2170747-4
1	23.0	NETWORKING	SINGLE LP	2170747-3
1	16.0	SAN	SINGLE LP	2170747-2
1	13.7	PCI	SINGLE LP	2170747-1
# OF REAR PIN	DIM A	APPLICATION	LIGHT PIPE OPTION	PART NUMBER

13

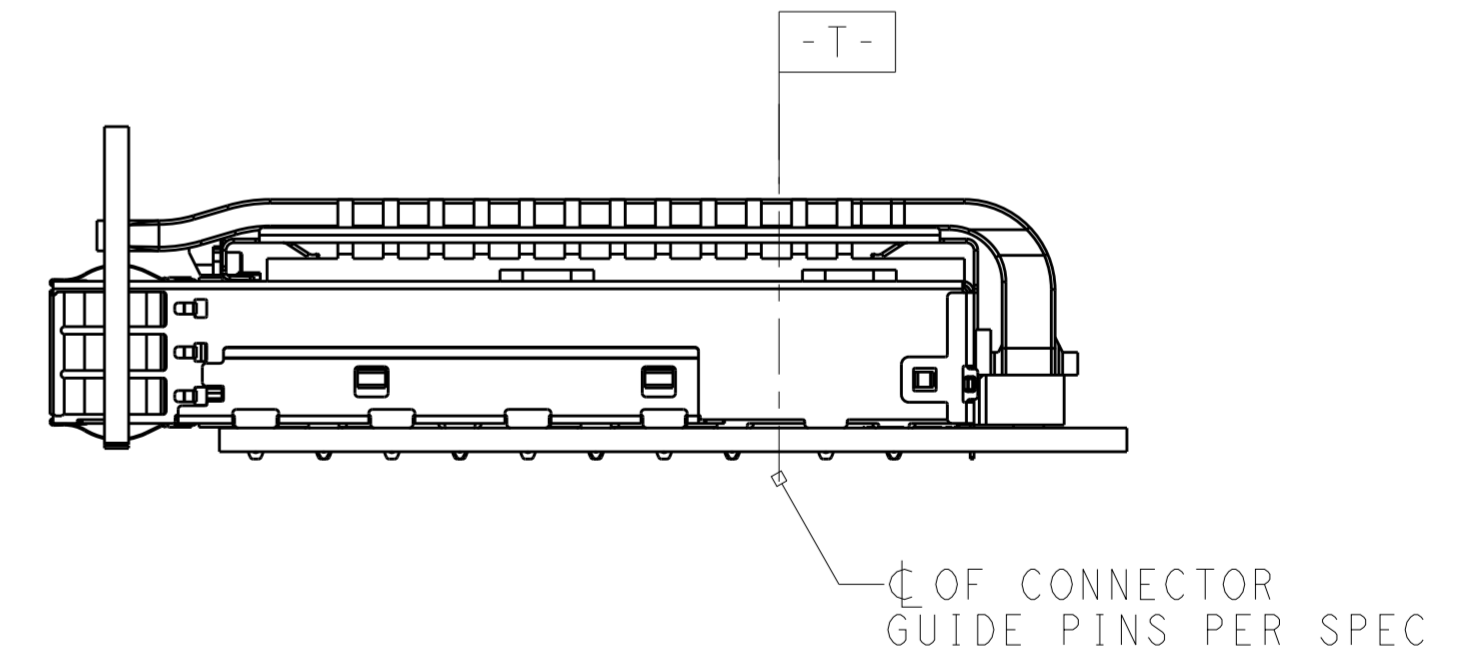
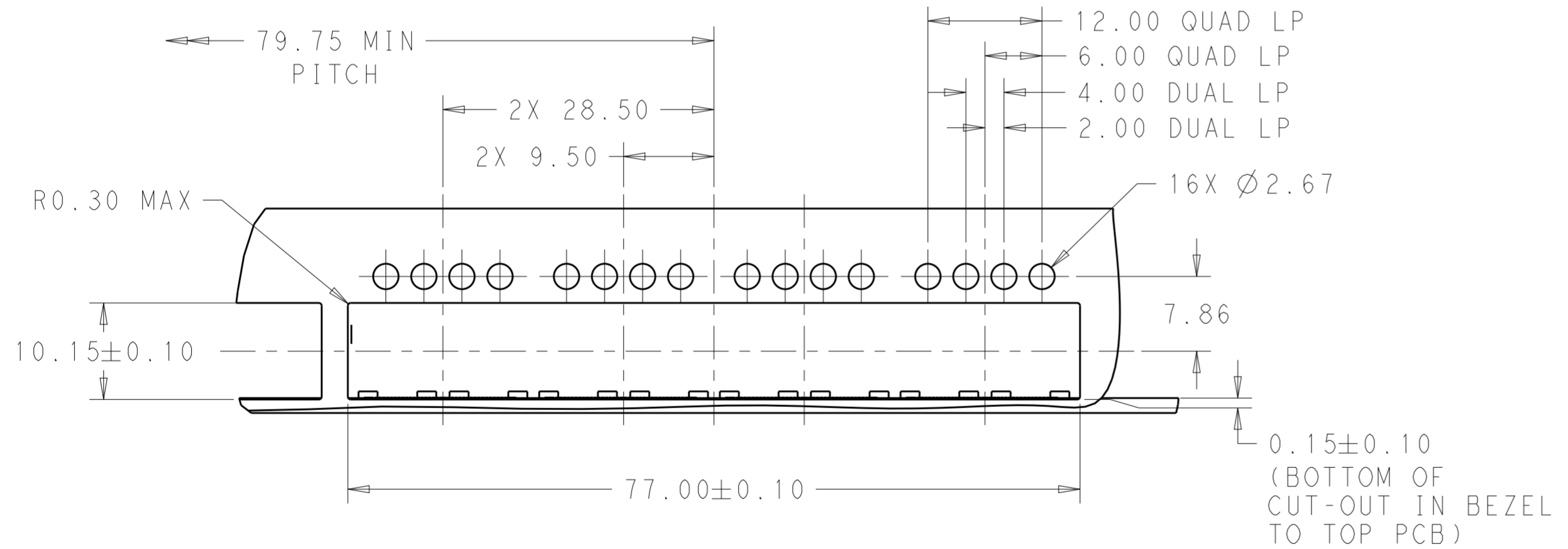
THIS DRAWING IS A CONTROLLED DOCUMENT.		DWN 04 JUN 2014 JASON YANG	 TE Connectivity	
DIMENSIONS: mm		CHK - APVD -		
		TOLERANCES UNLESS OTHERWISE SPECIFIED: 0 PLC ± 1 PLC ±0.25 2 PLC ±0.2 3 PLC ± 4 PLC ± ANGLES ± FINISH		NAME RECEPTACLE CAGE ASSEMBLY WITH HEAT SINKS AND LIGHT PIPES, THRU BEZEL, 1X4, QSFP28, SPRING
MATERIAL SEE NOTES		PRODUCT SPEC 108-19428 APPLICATION SPEC 114-32023 WEIGHT -	SIZE A200779	DRAWING NO C-2170747 RESTRICTED TO -
		CUSTOMER DRAWING		SCALE 1:1 SHEET 4 OF 10 REV A

THIS DRAWING IS UNPUBLISHED. RELEASED FOR PUBLICATION 20  
 © COPYRIGHT 20 BY - ALL RIGHTS RESERVED.

REVISIONS				
P	LTR	DESCRIPTION	DATE	APVD
-	-	SEE SHEET 1	-	-



SINGLE SIDE MOUNTING  
SCALE 2:1

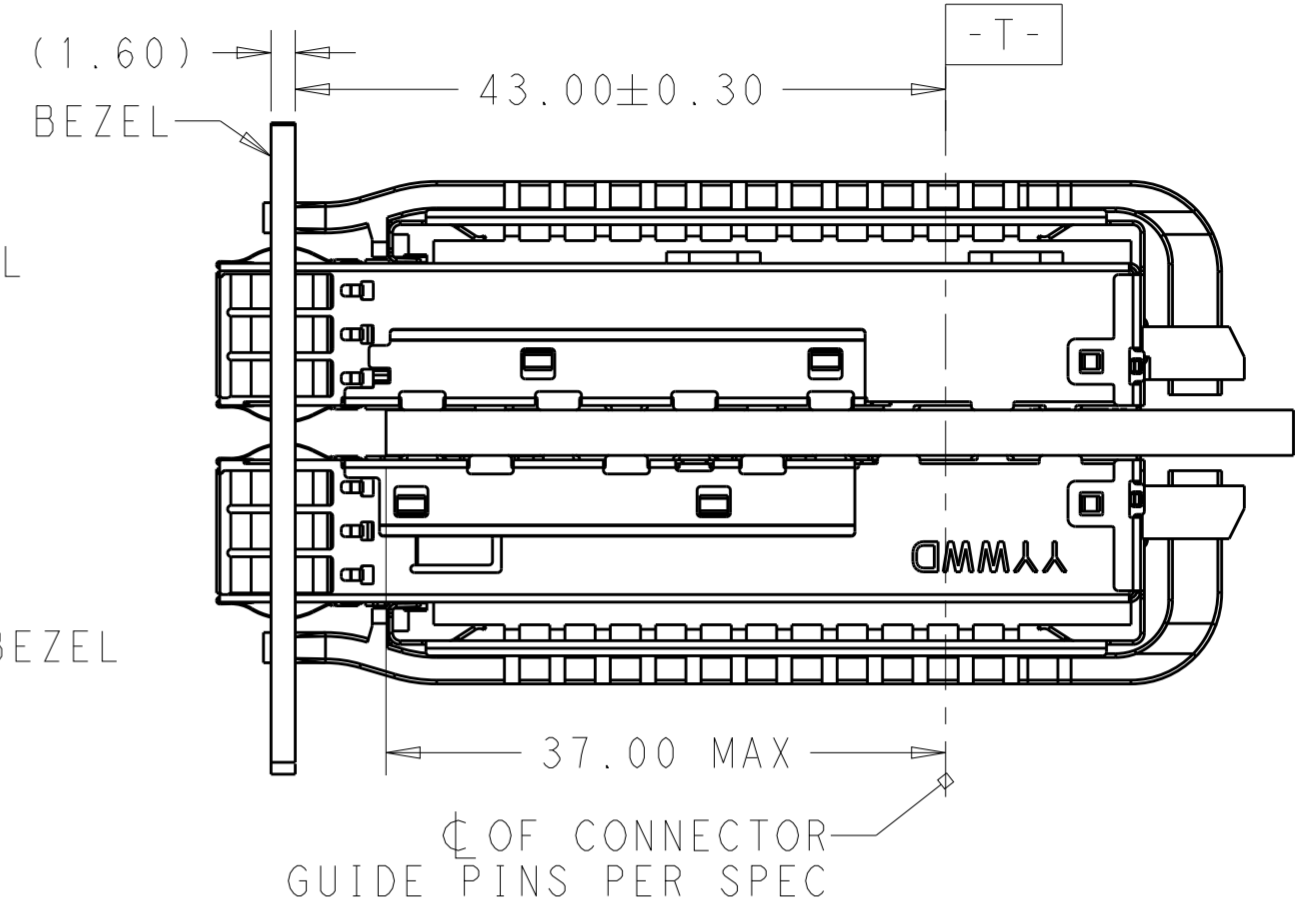
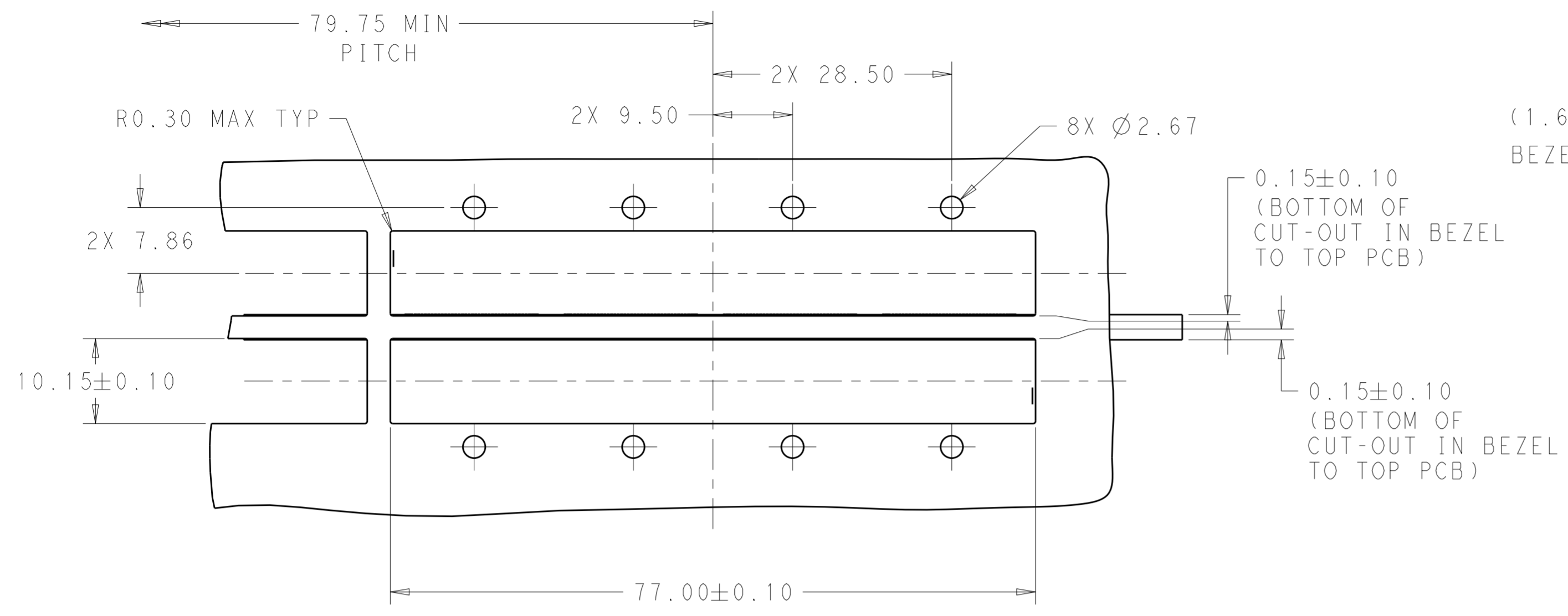


SINGLE SIDE MOUNTING  
SCALE 2:1

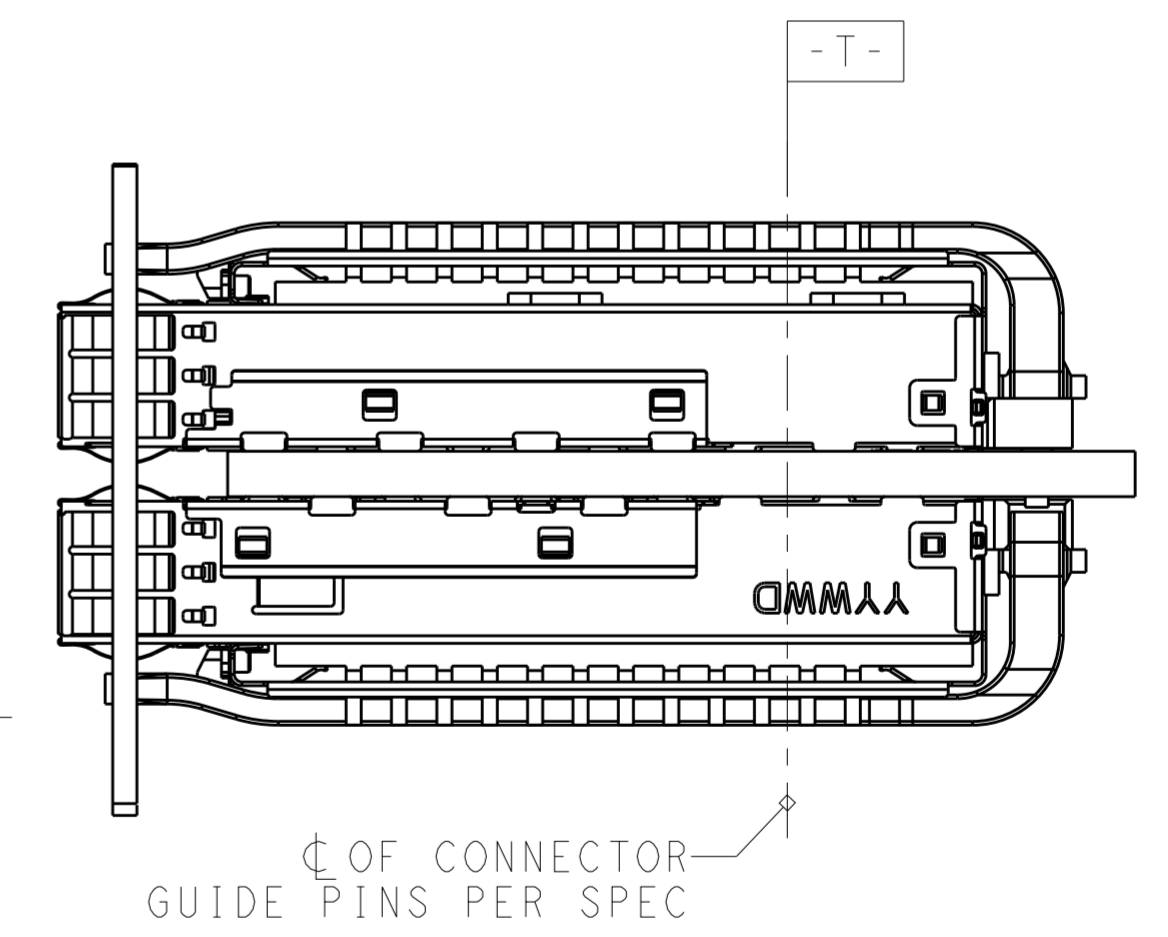
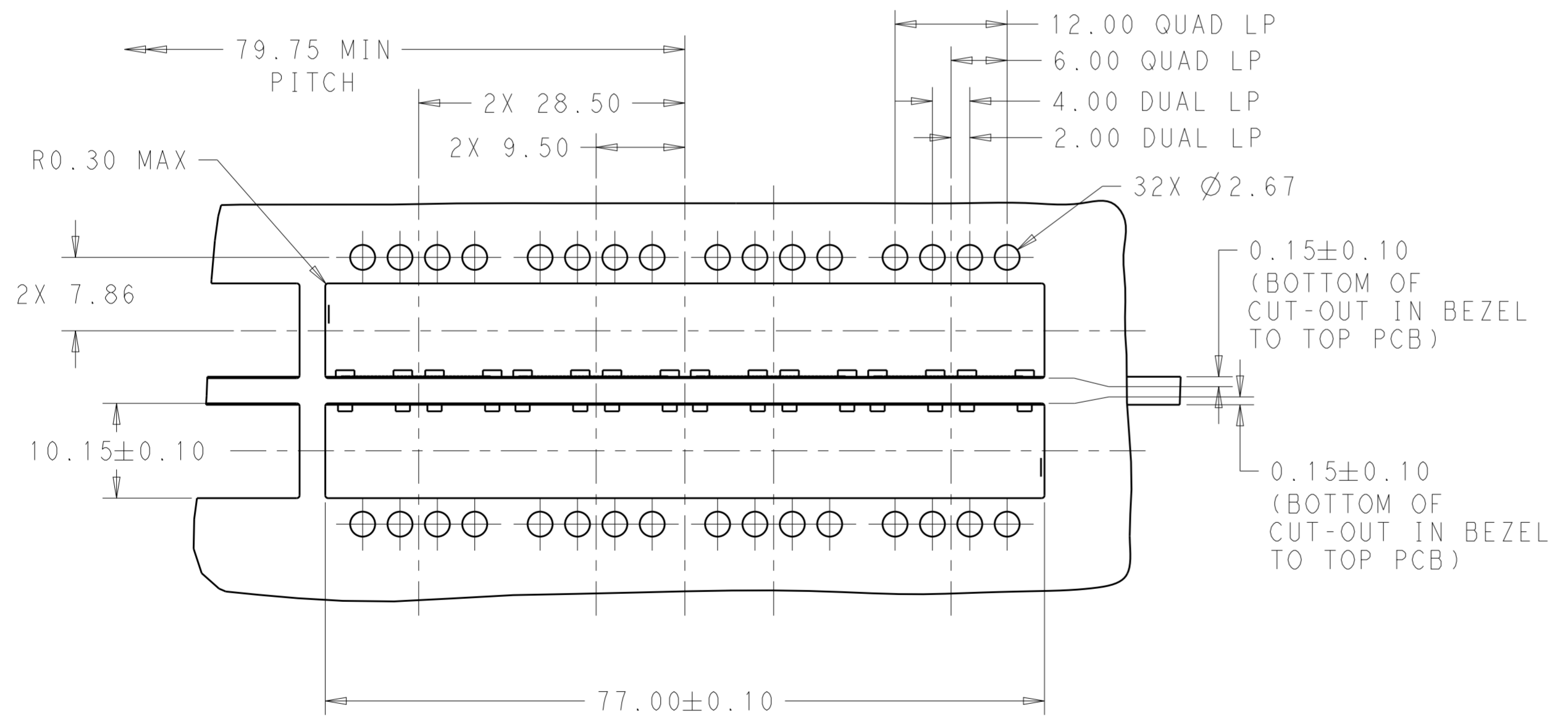
THIS DRAWING IS A CONTROLLED DOCUMENT.		DWN 04JUN2014 JASON YANG	TE Connectivity	
DIMENSIONS: mm		CHK -		
TOLERANCES UNLESS OTHERWISE SPECIFIED:		PRODUCT SPEC		NAME RECEPTACLE CAGE ASSEMBLY WITH HEAT SINKS AND LIGHT PIPES, THRU BEZEL, 1X4, QSFP28, SPRING
0 PLC ±-		108-19428		
1 PLC ±0.25		APPLICATION SPEC		SIZE CAGE CODE DRAWING NO
2 PLC ±0.2		114-32023		A200779C-2170747
3 PLC ±-		WEIGHT -		RESTRICTED TO
4 PLC ±-		CUSTOMER DRAWING		-
ANGLES ±-		SCALE 1:1		SHEET 5 OF 10
FINISH -		REV A		

THIS DRAWING IS UNPUBLISHED. RELEASED FOR PUBLICATION 20  
 © COPYRIGHT 20 BY - ALL RIGHTS RESERVED.

REVISIONS				
P	LTR	DESCRIPTION	DATE	APVD
-	-	SEE SHEET 1	-	-



BELLY TO BELLY MOUNTING  
SCALE 2:1

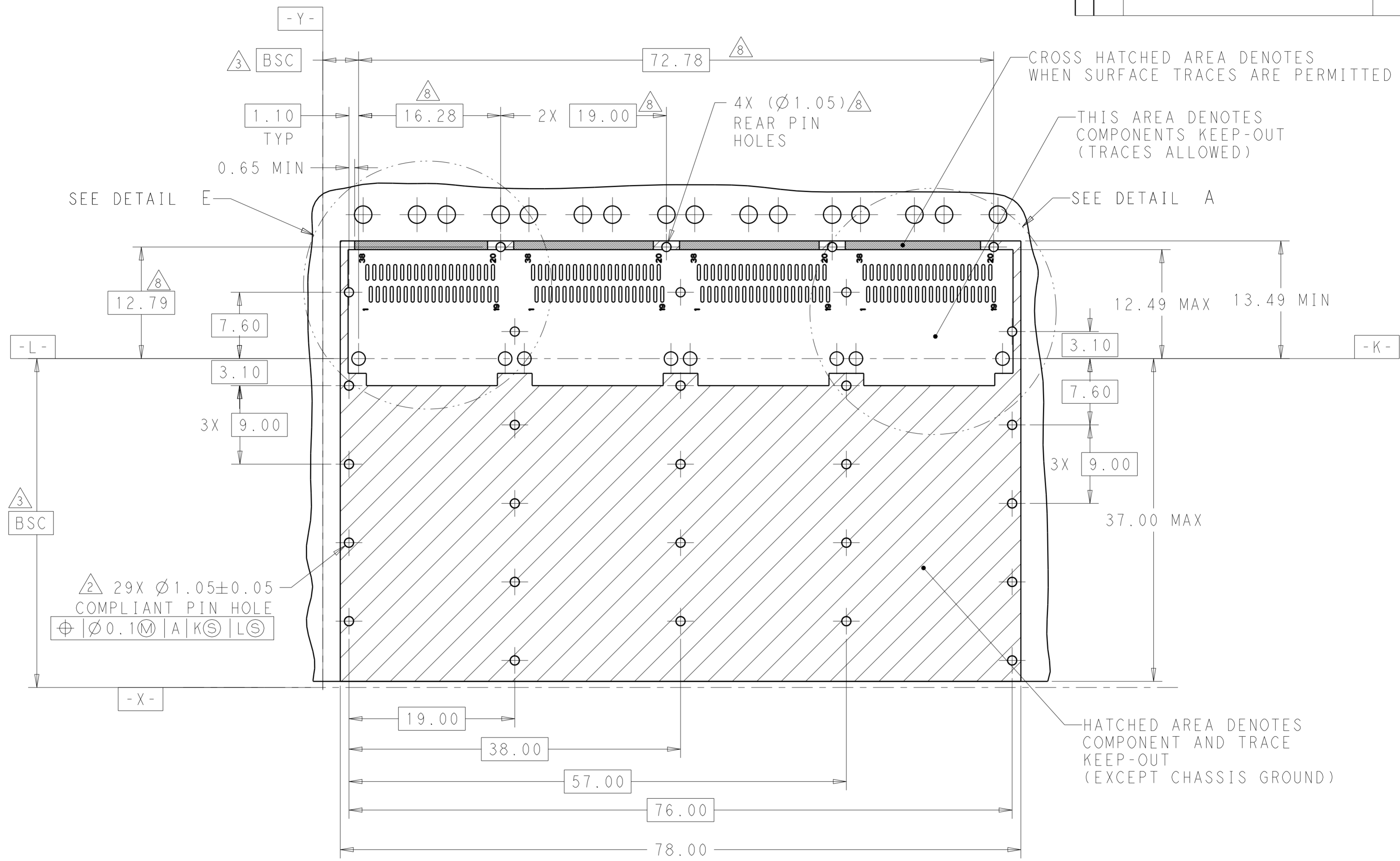


BELLY TO BELLY MOUNTING  
SCALE 2:1

THIS DRAWING IS A CONTROLLED DOCUMENT.		DWN 04JUN2014 JASON YANG	TE Connectivity	
DIMENSIONS: mm		CHK -		
TOLERANCES UNLESS OTHERWISE SPECIFIED:		PRODUCT SPEC		NAME RECEPTACLE CAGE ASSEMBLY WITH HEAT SINKS AND LIGHT PIPES, THRU BEZEL, 1X4, QSFP28, SPRING
0 PLC ± 1 PLC ±0.25 2 PLC ±0.2 3 PLC ± 4 PLC ± ANGLES ± FINISH ±		APPLICATION SPEC 108-19428 114-32023		
MATERIAL SEE NOTES		WEIGHT -		SIZE A2 CAGE CODE 00779 DRAWING NO C-2170747
-		CUSTOMER DRAWING		RESTRICTED TO - SCALE 1:1 SHEET 6 OF 10 REV A

THIS DRAWING IS UNPUBLISHED. RELEASED FOR PUBLICATION 20  
 © COPYRIGHT 20 BY - ALL RIGHTS RESERVED.

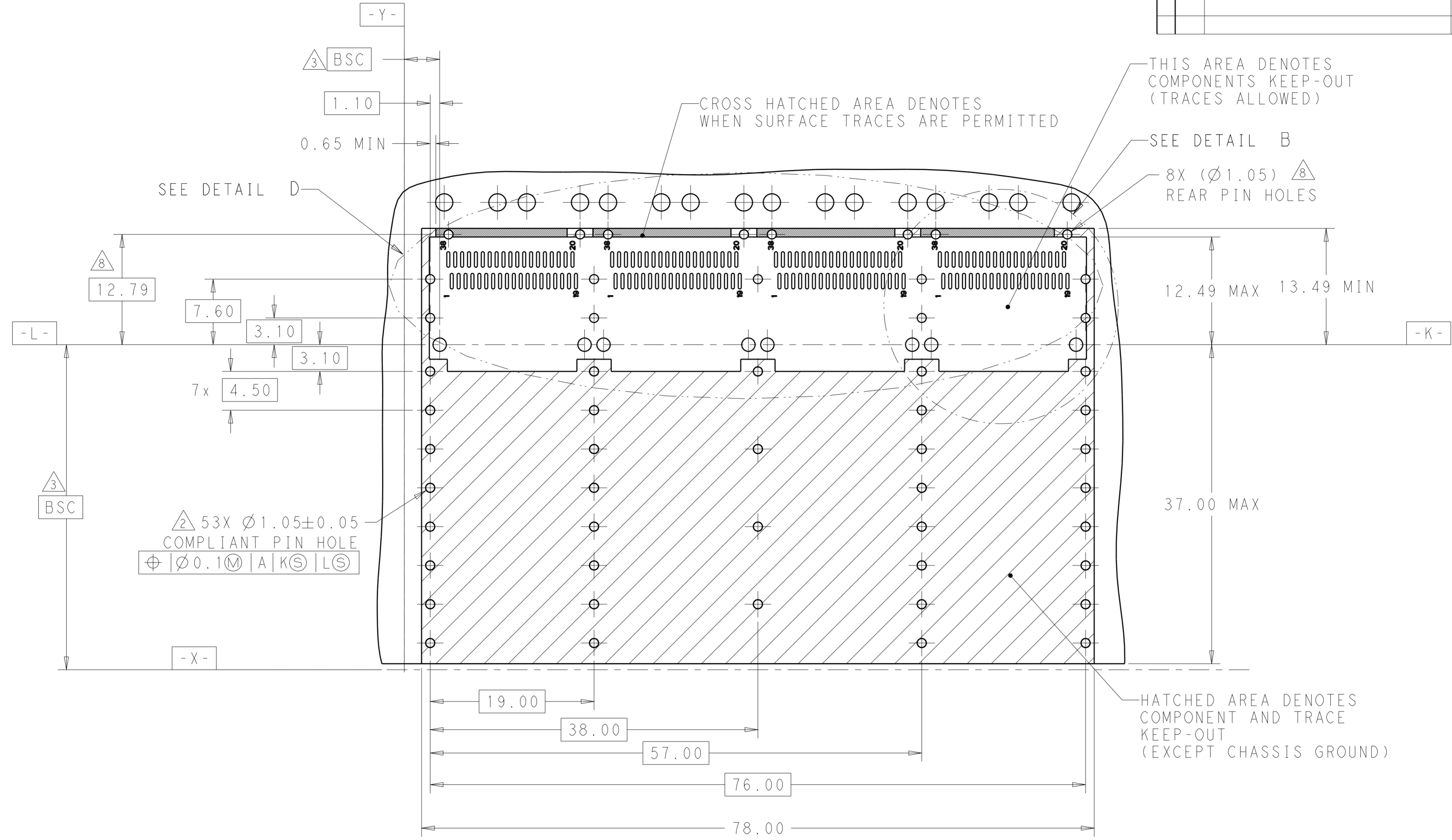
REVISIONS					
P	LTR	DESCRIPTION	DATE	DWN	APVD
-	-	SEE SHEET 1	-	-	-



RECOMMENDED PCB LAYOUT  
 SINGLE TYPE  
 PCB TOLERANCE: ±0.05  
 SCALE 3:1

THIS DRAWING IS A CONTROLLED DOCUMENT.		DWN 04JUN2014 JASON YANG	TE Connectivity	
DIMENSIONS: mm		CHK -		
		TOLERANCES UNLESS OTHERWISE SPECIFIED:		NAME
MATERIAL SEE NOTES		FINISH SEE NOTES		RECEPTACLE CAGE ASSEMBLY WITH HEAT SINKS AND LIGHT PIPES, THRU BEZEL, 1X4, QSFP28, SPRING
SEE NOTES		SEE NOTES		SIZE CAGE CODE DRAWING NO RESTRICTED TO
-		-		A200779 C-2170747
-		-		SCALE 1:1 SHEET 7 OF 10 REV A
-		-		CUSTOMER DRAWING

REVISIONS				
P	LTR	DESCRIPTION	DATE	APVD
-	-	SEE SHEET 1	-	-



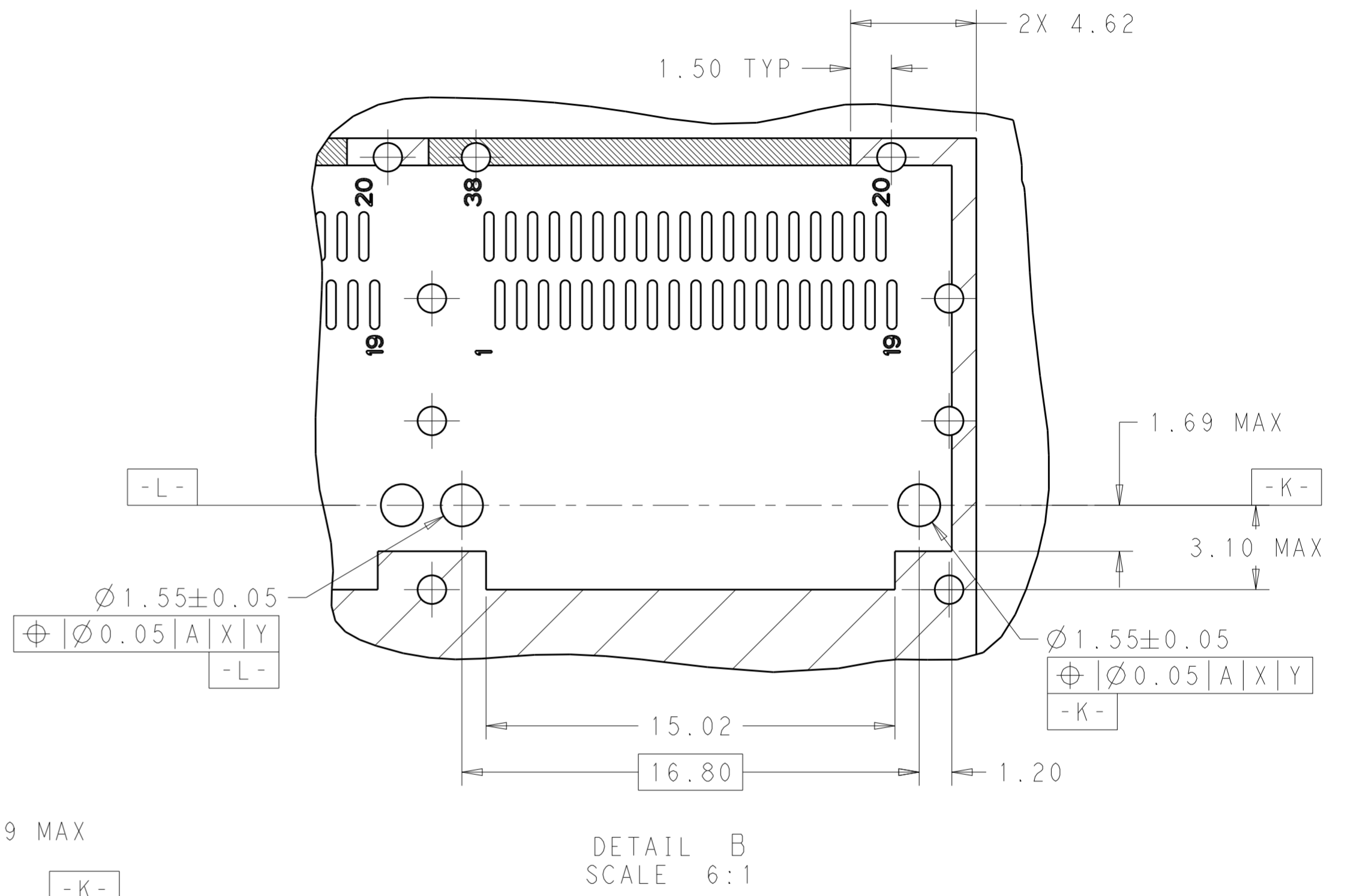
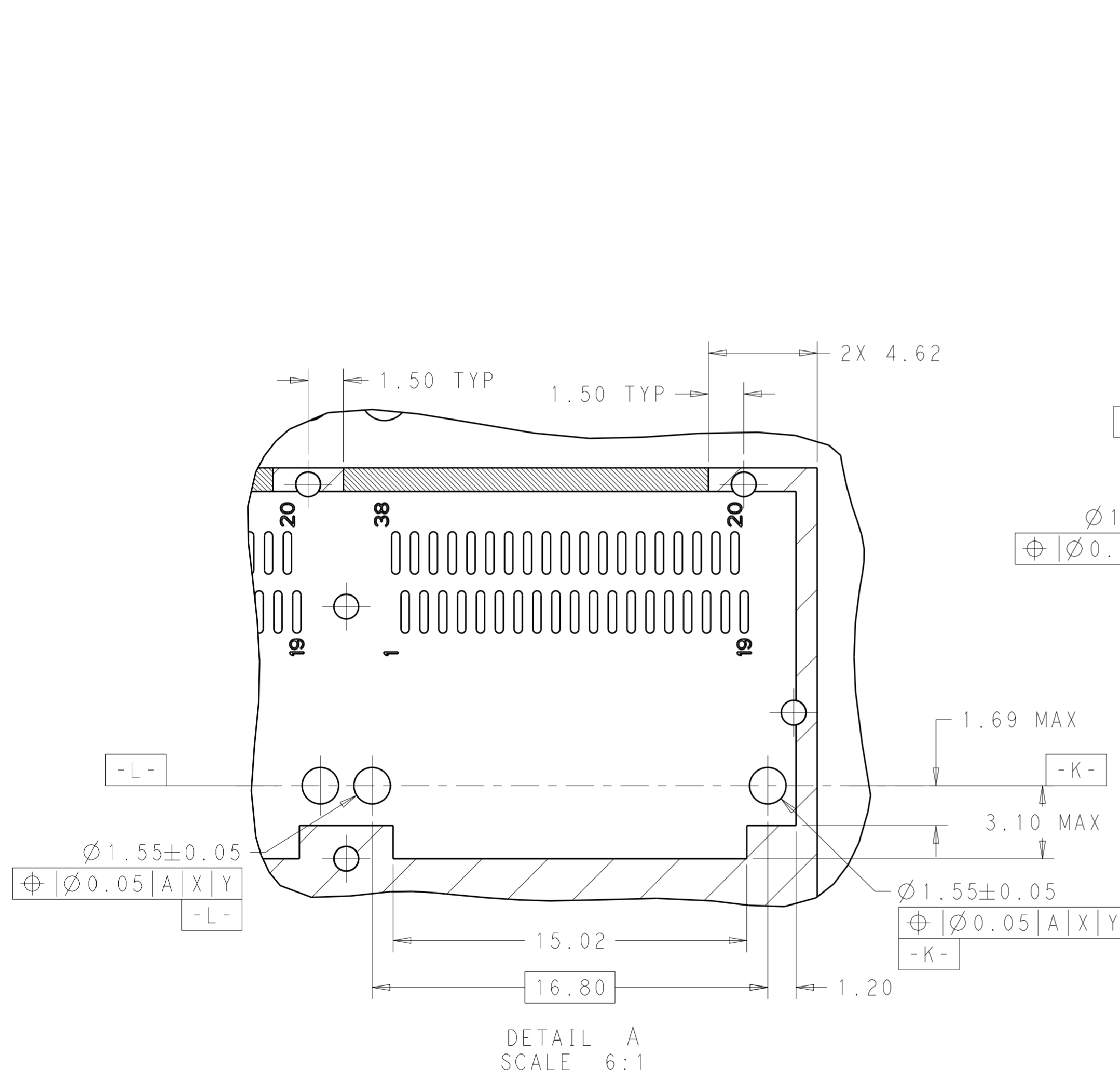
RECOMMENDED PCB LAYOUT  
 BELLY TO BELLY TYPE  
 PCB TOLERANCE: ±0.05  
 SCALE 3:1

THIS DRAWING IS A CONTROLLED DOCUMENT.		DWN 04 JUN 2014 JASON YANG	<b>STE</b> TE Connectivity	
DIMENSIONS: mm		CHK -		
TOLERANCES UNLESS OTHERWISE SPECIFIED:		APVD -	NAME RECEPTACLE CAGE ASSEMBLY WITH HEAT SINKS AND LIGHT PIPES, THRU BEZEL, 1X4, QSFP28, SPRING	
0 PLC ±	1 PLC ±0.25	PRODUCT SPEC 108-19428	SIZE A2	CAGE CODE 00779
2 PLC ±0.2	3 PLC ±	APPLICATION SPEC 114-32023	DRAWING NO C-2170747	RESTRICTED TO -
4 PLC ±	ANGLES ±	WEIGHT -	SCALE 1:1 SHEET 8 OF 10 REV A	
MATERIAL SEE NOTES	FINISH SEE NOTES	CUSTOMER DRAWING		



THIS DRAWING IS UNPUBLISHED. RELEASED FOR PUBLICATION 20  
 © COPYRIGHT 20 BY - ALL RIGHTS RESERVED.

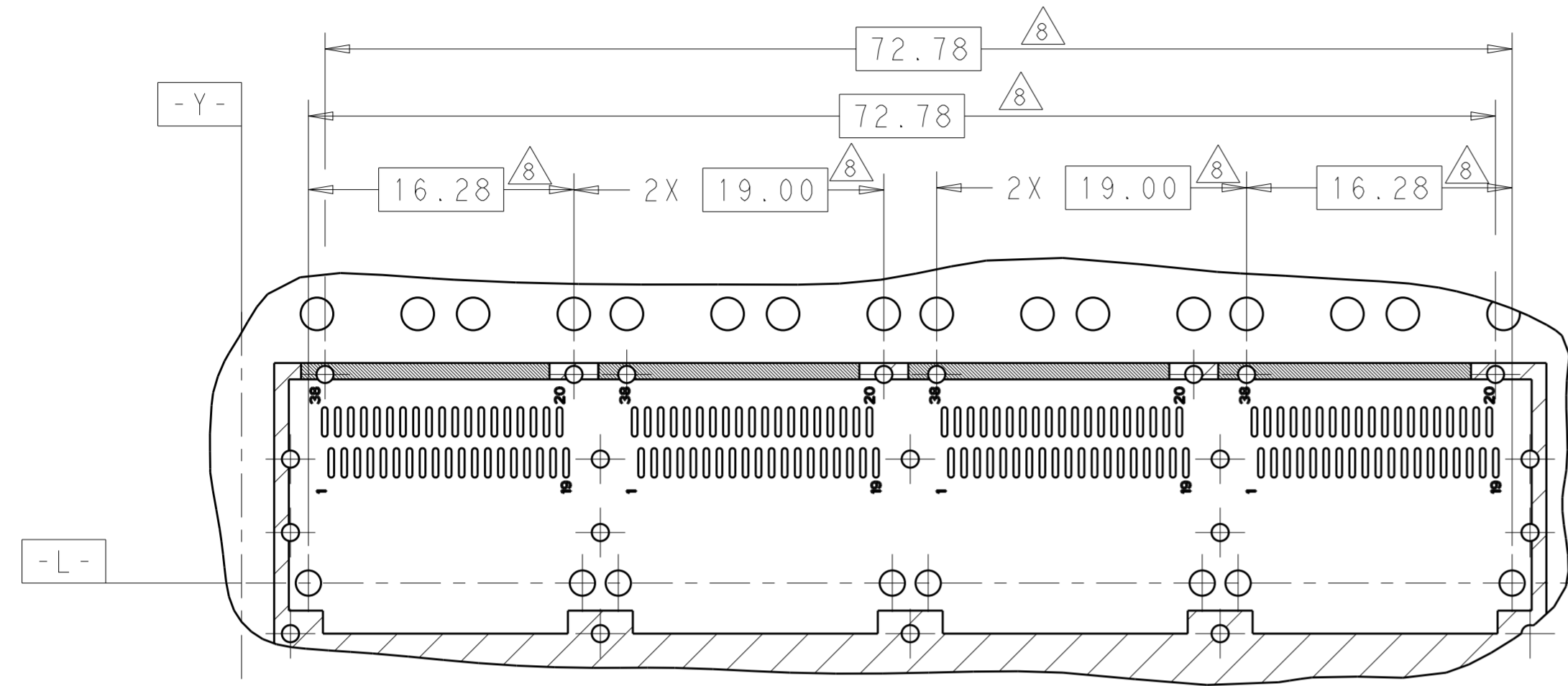
REVISIONS				
P	LTR	DESCRIPTION	DATE	APVD
-	-	SEE SHEET 1	-	-



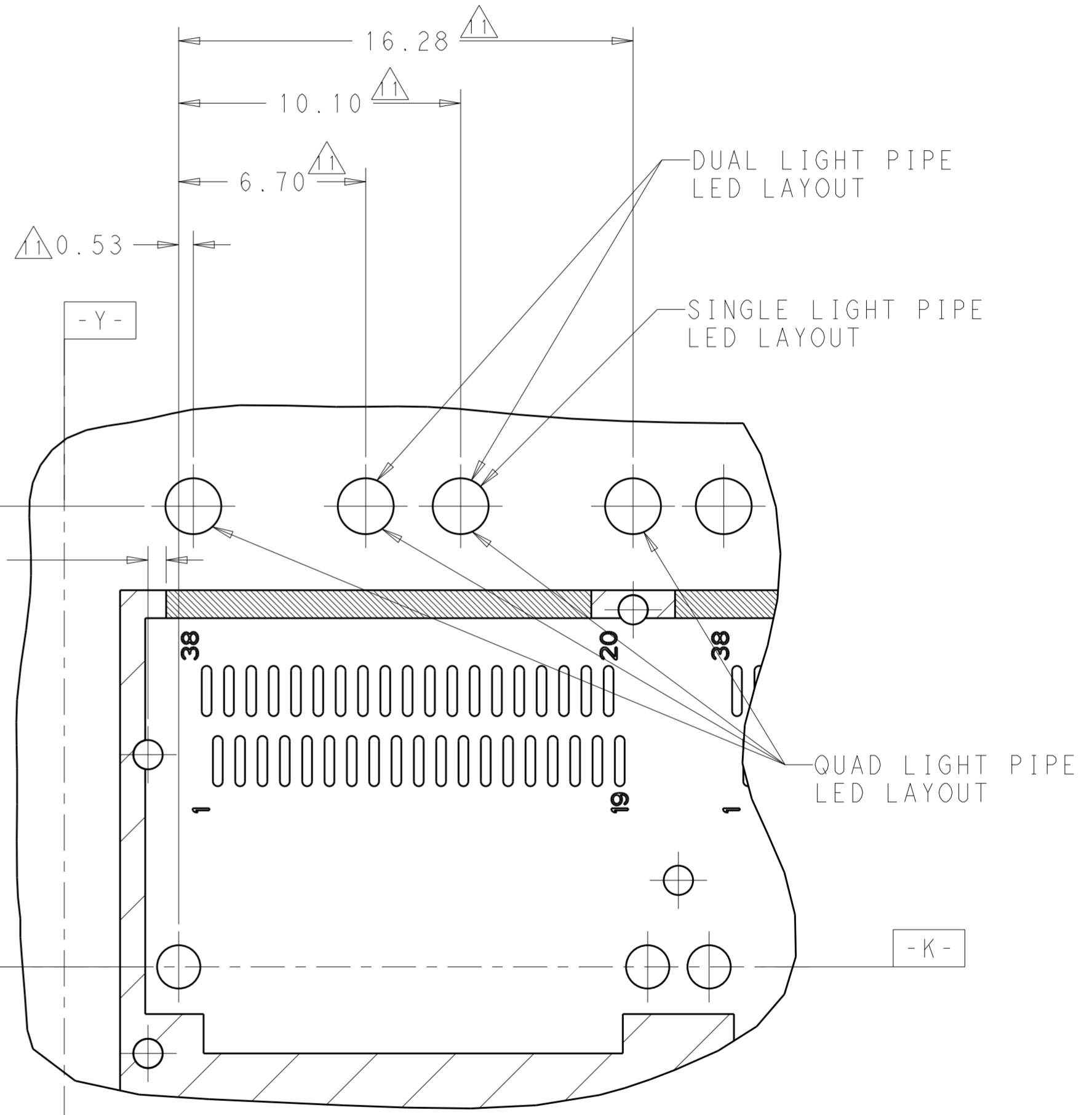
THIS DRAWING IS A CONTROLLED DOCUMENT.		DWN 04JUN2014 JASON YANG	<b>STE</b> TE Connectivity	
DIMENSIONS: mm		CHK -		
TOLERANCES UNLESS OTHERWISE SPECIFIED: 0 PLC ± 1 PLC ±0.25 2 PLC ±0.2 3 PLC ± 4 PLC ± ANGLES ± FINISH		APVD -	PRODUCT SPEC 108-19428	SIZE A200779
MATERIAL SEE NOTES		APPLICATION SPEC 114-32023	RESTRICTED TO	DRAWING NO C-2170747
SEE NOTES		WEIGHT -	SCALE 1:1	SHEET 9 OF 10 REV A
CUSTOMER DRAWING				

THIS DRAWING IS UNPUBLISHED. RELEASED FOR PUBLICATION 20  
 © COPYRIGHT 20 BY - ALL RIGHTS RESERVED.

REVISIONS				
P	LTR	DESCRIPTION	DATE	APVD
-	-	SEE SHEET 1	-	-



DETAIL D  
SCALE 3:1



DETAIL E  
SCALE 6:1

THIS DRAWING IS A CONTROLLED DOCUMENT.		DWN 04 JUN 2014 JASON YANG	TE Connectivity	
DIMENSIONS: mm		CHK -		
TOLERANCES UNLESS OTHERWISE SPECIFIED:		PRODUCT SPEC	NAME	
0 PLC ±	1 PLC ±0.25	108-19428	RECEPTACLE CAGE ASSEMBLY WITH HEAT SINKS AND LIGHT PIPES, THRU BEZEL, 1X4, QSFP28, SPRING	
2 PLC ±0.2	3 PLC ±	APPLICATION SPEC	SIZE	CAGE CODE
4 PLC ±	ANGLES ±	114-32023	A200779	DRAWING NO
MATERIAL SEE NOTES	FINISH SEE NOTES	WEIGHT -	G-2170747	
CUSTOMER DRAWING		SCALE 1:1	SHEET 10 OF 10	REV A