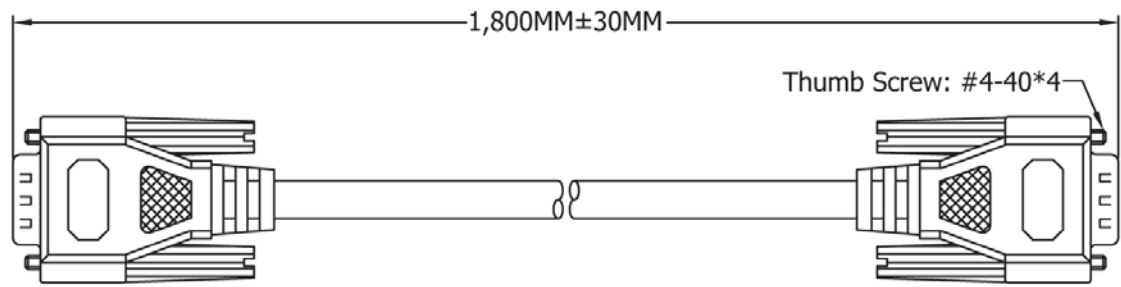
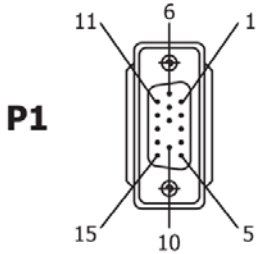
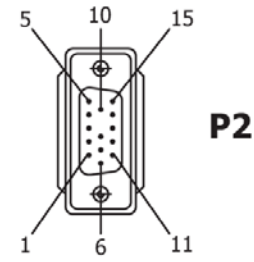


A
B
C
D
E
F
G
H

HDB 15 Male
Plastic: Blue



HDB 15 Male
Plastic: Blue



Material:

.CABLE:28AWG(7/0.127 T.C)*3COAX(75 OHMS)+INSULATION:FO-PE INNER
JACKET:PVC OD:Ø2.5± 0.1mm(UL-1354)+28AWG(7/0.127 T.C)*4C+
INSULATION:SR-PVC ID:Ø0.85± 0.05mm(UL-1061)+AL/MY+DRAIN
WIRE:26AWG(7/0.16 T.C)+BRAID SHIELD(85%)+OUTER JACKET:PVC
COLOR:BEIGE OD:Ø8.1± 0.15mm UL-2919

.CONNECTOR:

P1&P2:HDB 15P MALE,GOLD FLASH CONTACT,NICKEL PLATED SHELL
(9TH PIN UNLOAD)

.SHIELD:COPPER-FOIL 360° SOLDER TO CONNECTOR SHELL & CABLE BRAID

.HOOD:MOLDED TYPE,PVC 45P,COLOR:BEIGE.

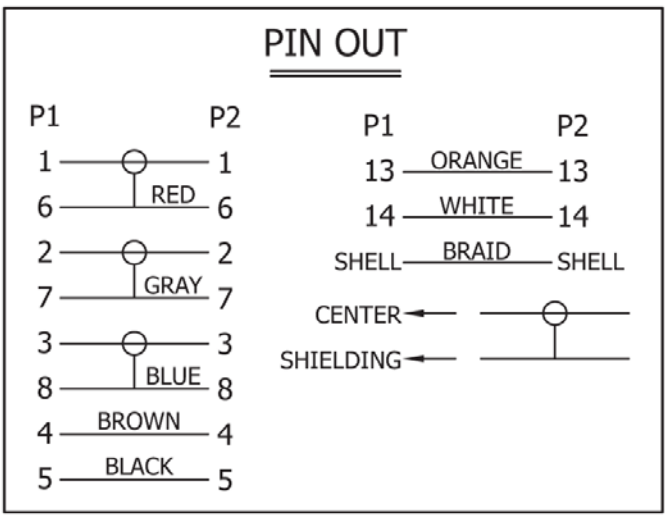
.ELECTRONIC TEST:

- <1>.100% OPEN SHORT & MIS WIRE TEST
- <2>.CONTACT RESISTANCE 3 OHMS MAX.
- <3>.INSULATION RESISTANCE 1M OHMS MIN/ DC 5V

.PACKING:SEE P-0039 REV.C PACKING DRAWING

(HANKING SIZE MUST BE SMALLER THAN PACKING)

PACKING TYPE: DB VP4.



Scale	1:1					Name	Item No.
TOLERANCE					Drawn	11.16.11	AK5320-1.8
X.X	±0.40				Approved	Chappell	
X.XX	±0.25						Title
X.XXX	±0.15						Premium VGA Monitor connection cable - HD D-Sub 15 pin Male <=> Male, 1.8 Meters
Angle	±3°						Drawing No.
							rev00
							Replace
							Sheet

