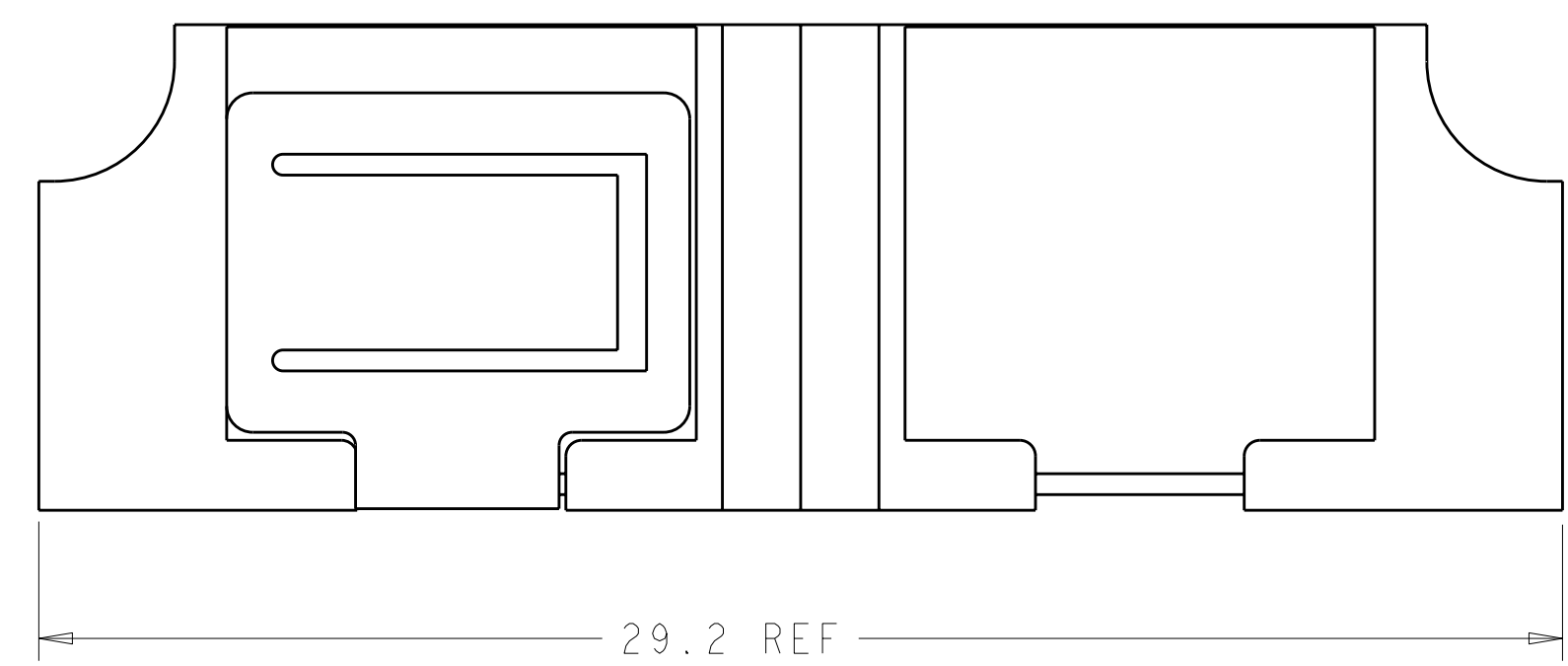
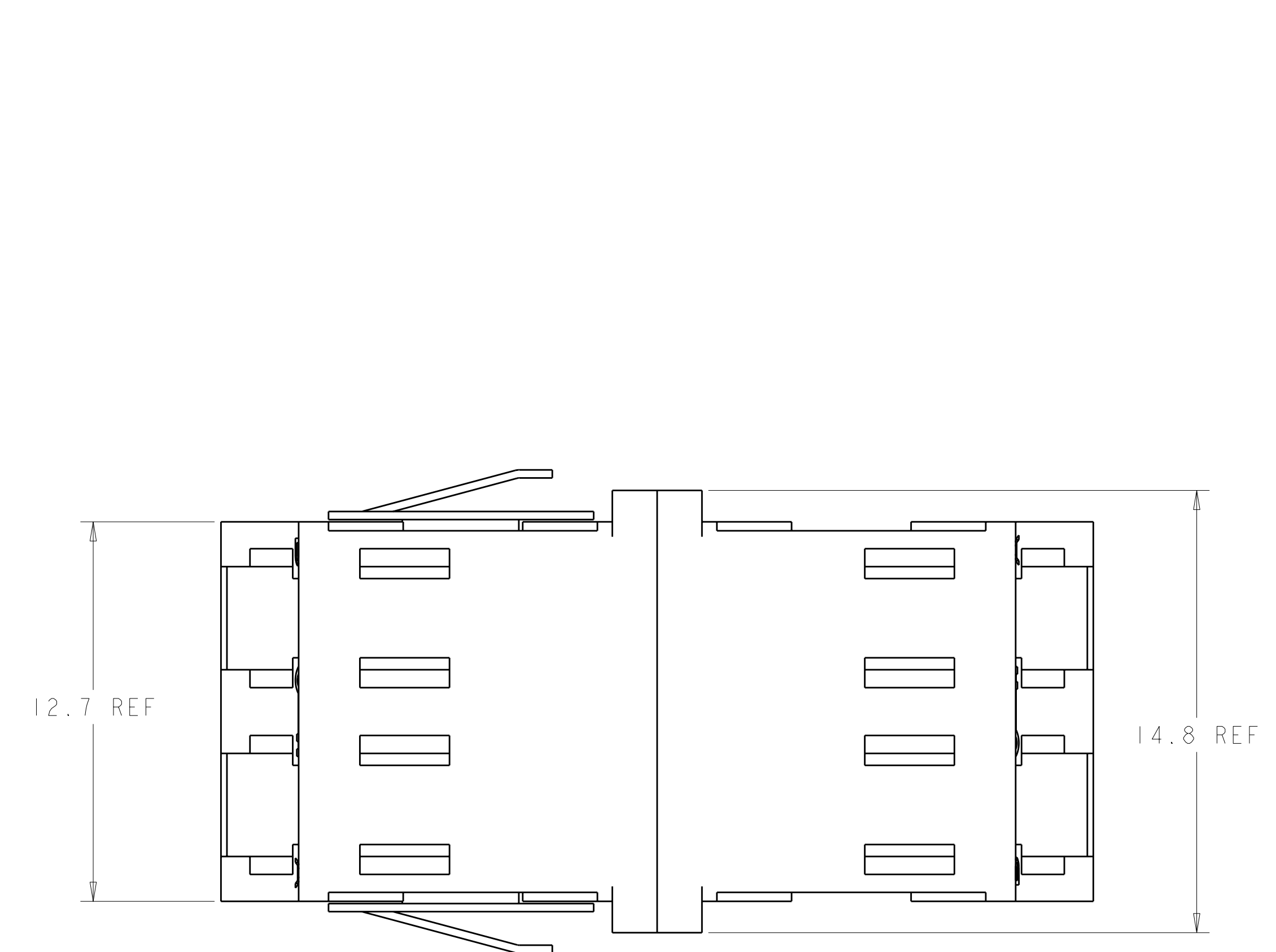
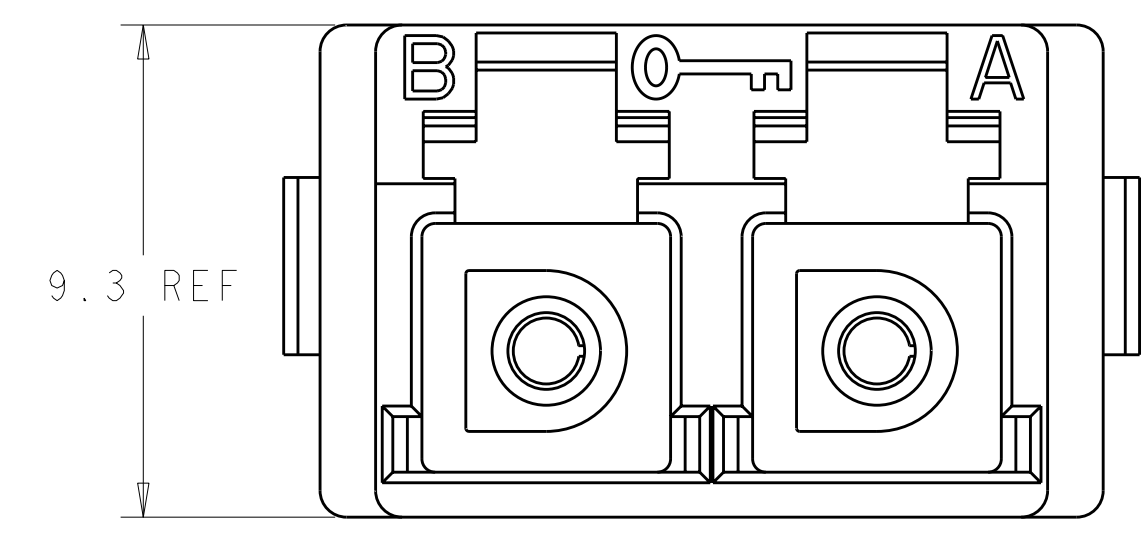


LOC	DIST	REVISIONS			
REV	DATE	DESCRIPTION	DATE	DWN	APVD
CE	00				
B1		REVISED PER ECO-11-005027	16MAY2011	RK	HMR

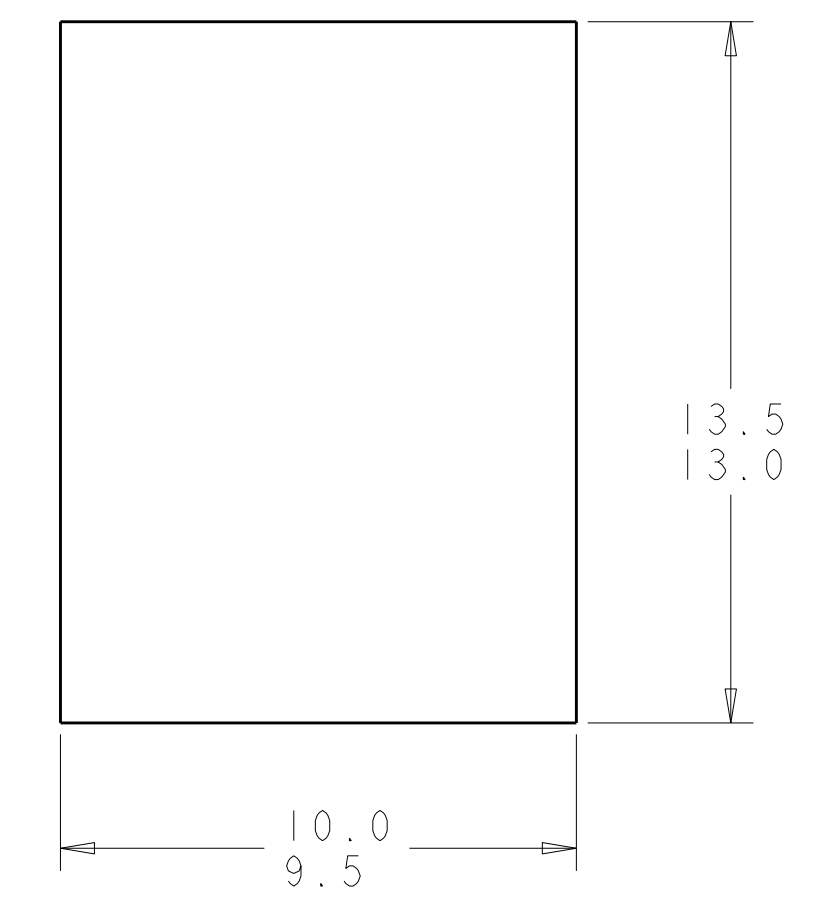
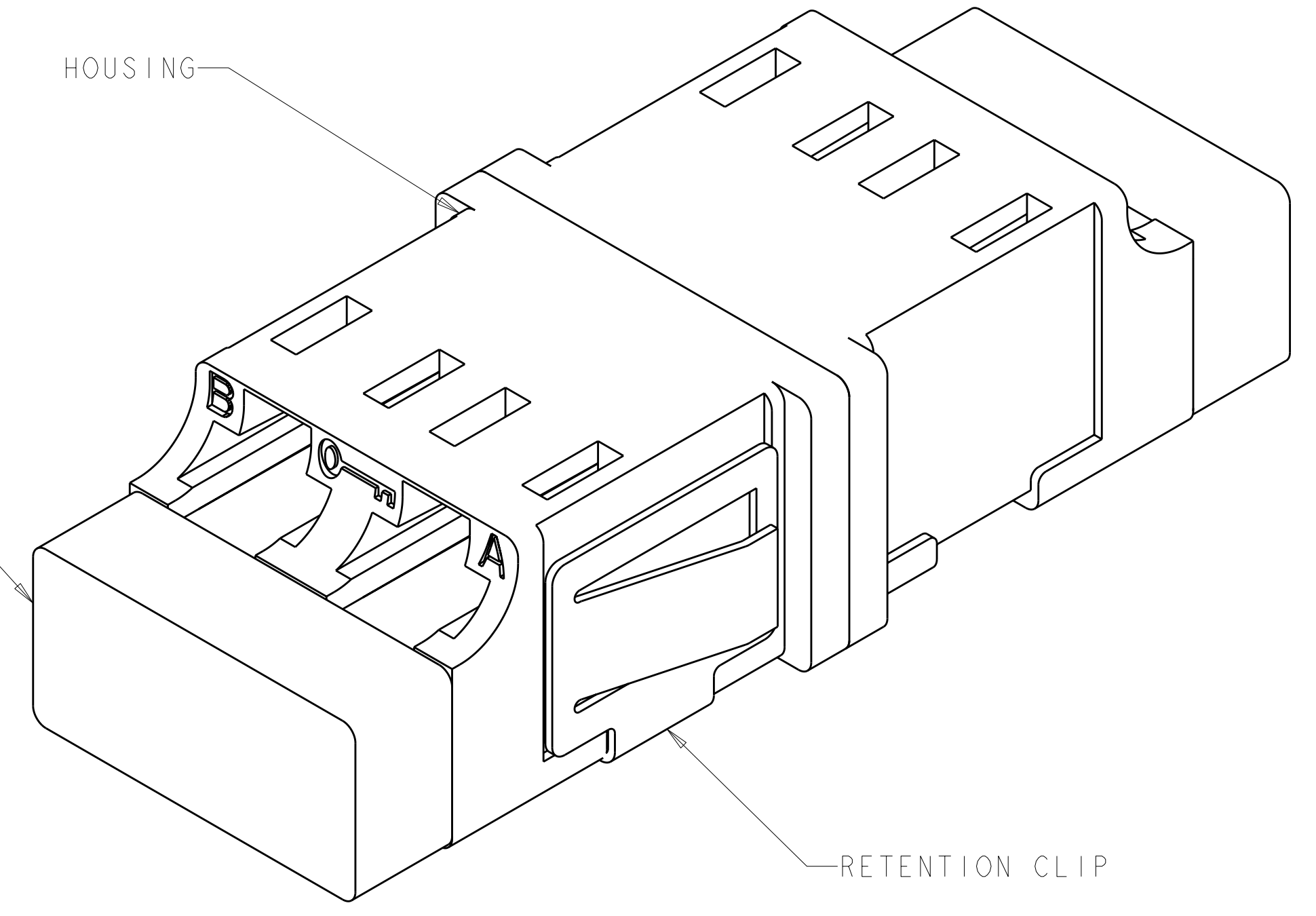
△ MATERIAL:
 HOUSINGS: THERMOPLASTIC, PPE-PS*
 ALIGNMENT SLEEVES: CERAMIC
 PROTECTIVE COVERS: THERMOPLASTIC ELASTOMER*
 RETENTION CLIP: SST
 * UL 94 V-0 RATED AT QUALIFYING THICKNESS



PROTECTIVE COVERS
 NOT SHOWN



(RED -1 SHOWN)



RECOMMENDED PANEL CUTOUT
 MAX PANEL THK. 1.7

SLATE	I-1828074-0
ORANGE	1828074-9
VIOLET	1828074-8
BROWN	1828074-7
AQUA	1828074-6
ROSE	1828074-5
BLUE	1828074-4
GREEN	1828074-3
YELLOW	1828074-2
RED	1828074-1
HOUSING COLOR	PART NO.

THIS DRAWING IS A CONTROLLED DOCUMENT.

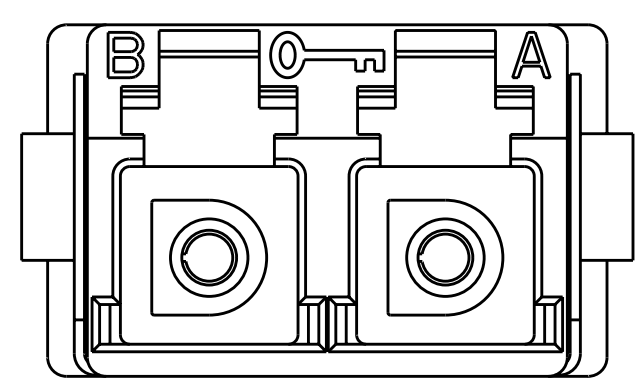
DIMENSIONS:	TOLERANCES UNLESS OTHERWISE SPECIFIED:	DWN	E. HOPKINS	04AUG2005
mm	0 PLC ±	CHK	D. ERDMAN	04AUG2005
	1 PLC ±	APVD	D. BAECHTLE	04AUG2005
	2 PLC ±	PRODUCT SPEC		
	3 PLC ±	APPLICATION SPEC		
	4 PLC ±	WEIGHT		
	ANGLES ±	CUSTOMER DRAWING		
MATERIAL	FINISH	SCALE	4:1	SHEET 1 OF 2

NAME: LC SECURE ADAPTER ASSEMBLY, FLANGELESS

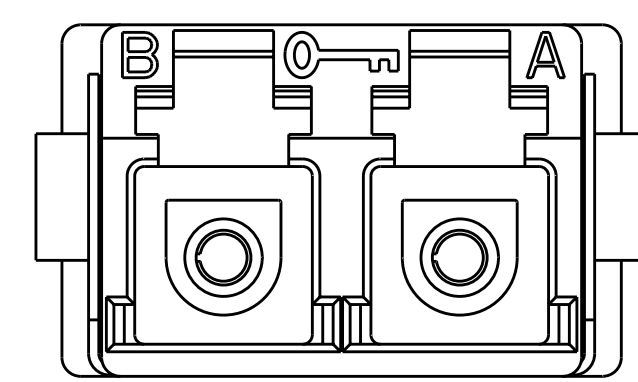
SIZE: A100779 C=1828074

RESTRICTED TO: B1

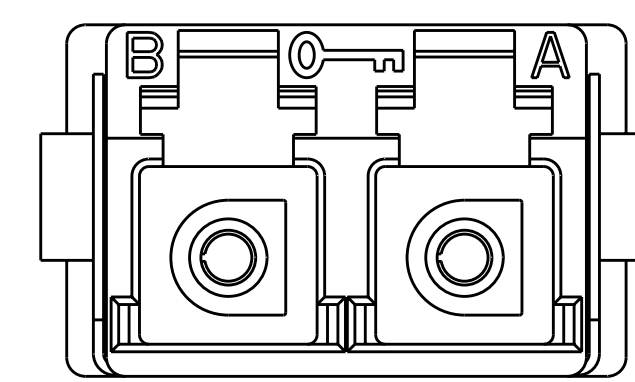
LOC	DIST	REVISIONS					
		P	LTN	DESCRIPTION	DATE	DWN	APVD
CE	00	-	-	SEE SHEET 1	-	-	-



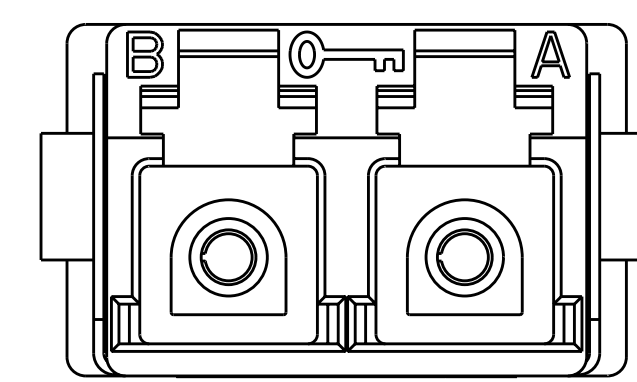
1828074-1
RED



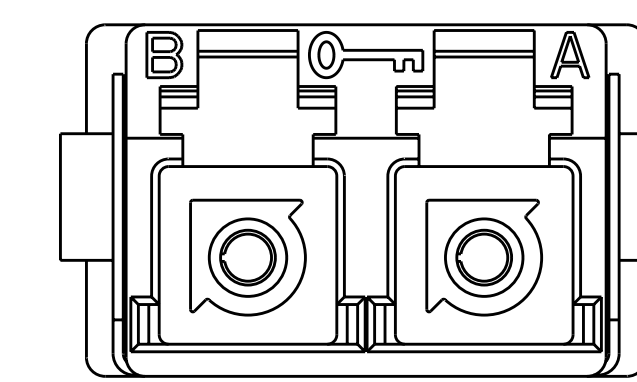
1828074-2
YELLOW



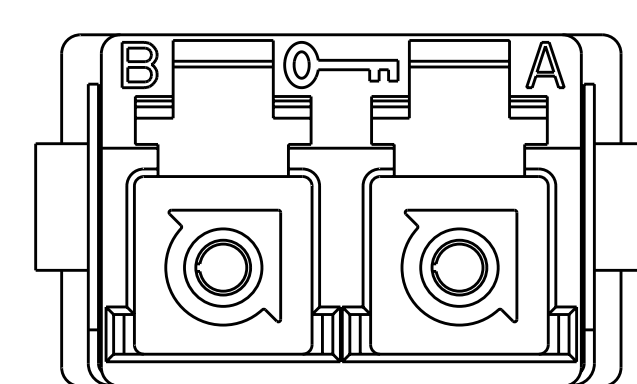
1828074-3
GREEN



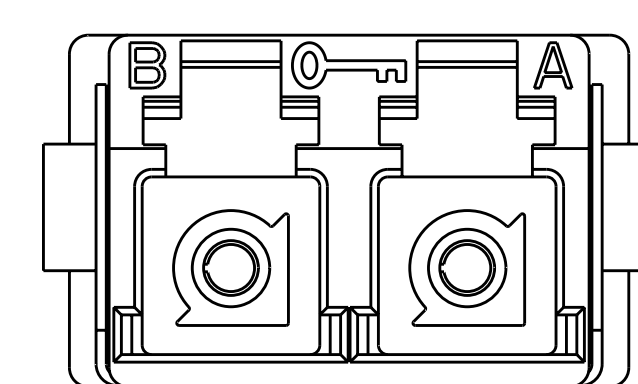
1828074-4
BLUE



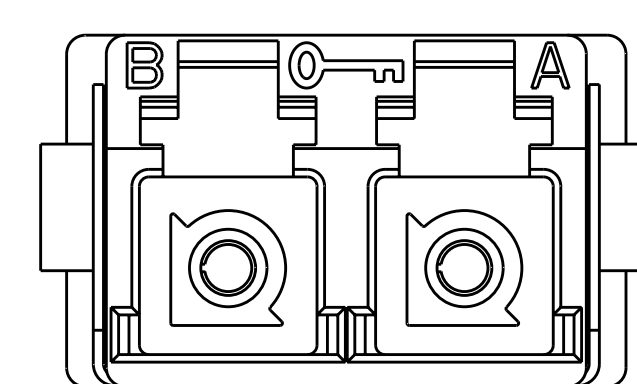
1828074-5
ROSE



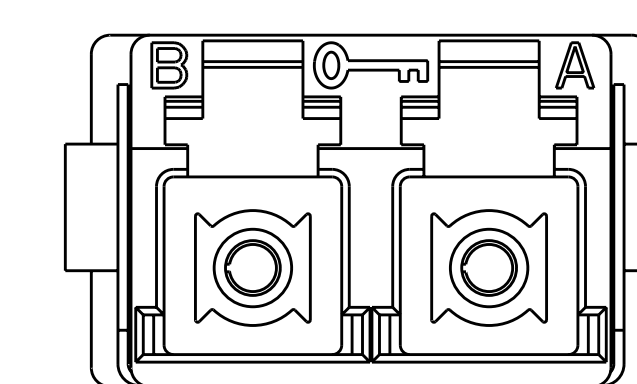
1828074-6
AQUA



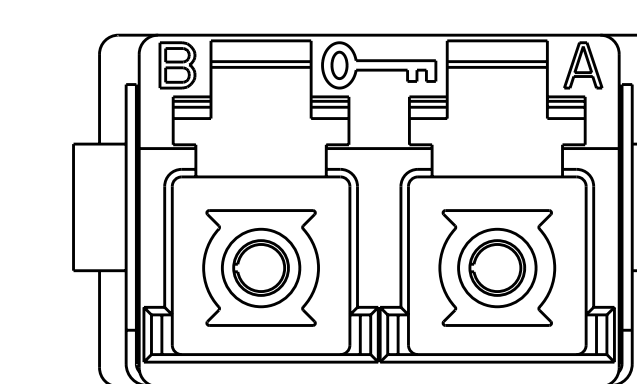
1828074-7
BROWN



1828074-8
VIOLET



1828074-9
ORANGE



1-1828074-0
SLATE

THIS DRAWING IS A CONTROLLED DOCUMENT.		DWN E. HOPKINS	04AUG2005															
DIMENSIONS:		CHK D. ERDMAN	04AUG2005															
TOLERANCES UNLESS OTHERWISE SPECIFIED:		APVD D. BAECHTLE	04AUG2005															
mm		PRODUCT SPEC																
<table border="1"> <tr><td>0 PLC</td><td>±</td></tr> <tr><td>1 PLC</td><td>±</td></tr> <tr><td>2 PLC</td><td>±</td></tr> <tr><td>3 PLC</td><td>±</td></tr> <tr><td>4 PLC</td><td>±</td></tr> <tr><td>ANGLES</td><td>±</td></tr> <tr><td>FINISH</td><td>±</td></tr> </table>		0 PLC	±	1 PLC	±	2 PLC	±	3 PLC	±	4 PLC	±	ANGLES	±	FINISH	±	APPLICATION SPEC		
0 PLC	±																	
1 PLC	±																	
2 PLC	±																	
3 PLC	±																	
4 PLC	±																	
ANGLES	±																	
FINISH	±																	
MATERIAL		WEIGHT		SIZE	CAGE CODE	DRAWING NO	RESTRICTED TO											
				A100779	C=1828074													
CUSTOMER DRAWING				SCALE	5:1	SHEET	2 OF 2											
				REV	B1													