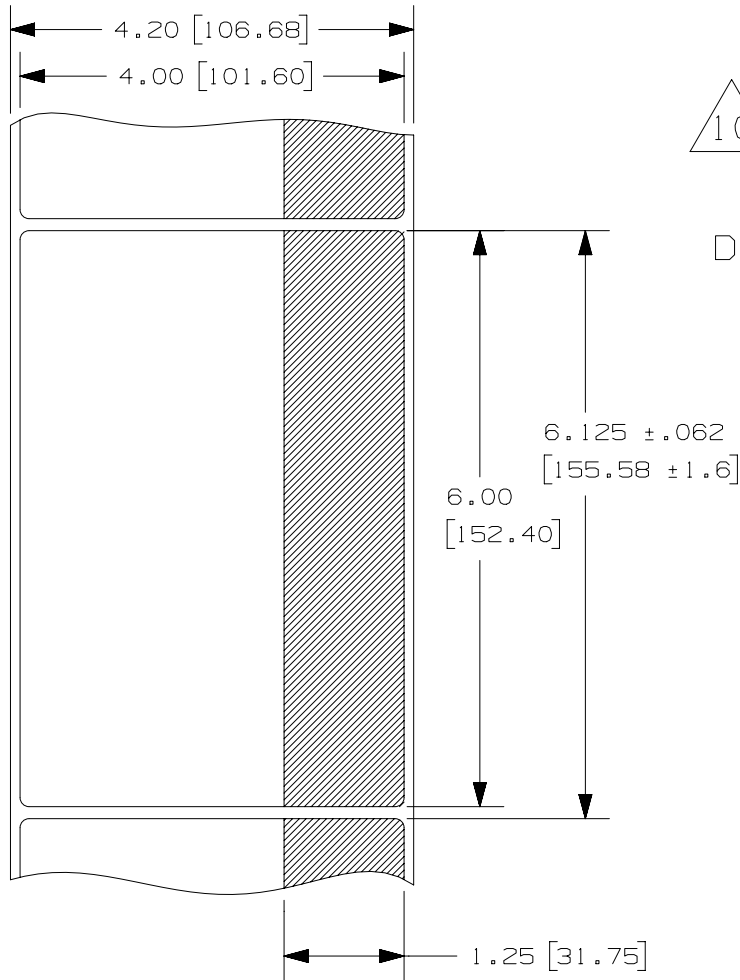
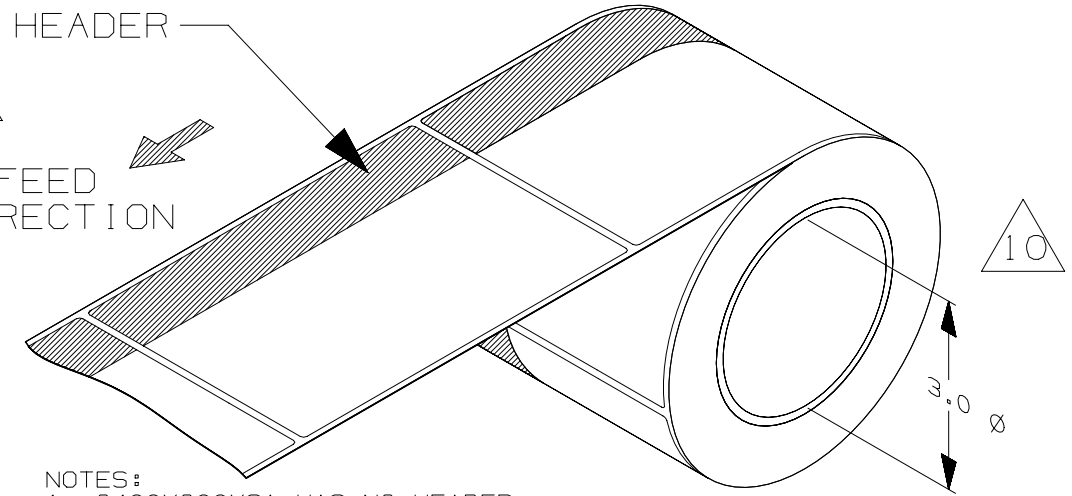


THIS COPY IS PROVIDED ON A RESTRICTED BASIS AND IS NOT TO BE USED IN ANY WAY DETRIMENTAL TO THE INTERESTS OF PANDUIT CORP.



LABEL WOUND OUT AWAY FROM CORE



- NOTES:
 1. C400X600Y81 HAS NO HEADER. PART TO BE SOLID YELLOW.
 2. DIMENSIONS IN [] ARE MILLIMETERS.

PART NUMBER	HEADER COLOR	BACKGROUND COLOR	HEADER TEXT COLOR	HEADER TEXT
C400X600AZ1	YELLOW	WHITE	NA	NA
C400X600Y81	NA	YELLOW	NA	NA
C400X600AX1	BLUE	WHITE	WHITE	NOTICE
C400X600AY1	GREEN	WHITE	WHITE	SAFETY FIRST
C400X600YX1	ORANGE	WHITE	NA	NA
C400X600YZ1	RED	WHITE	WHITE	⚠ DANGER
C400X600A41	BLACK AND RED	WHITE	WHITE	DANGER
C400X600A51	ORANGE	WHITE	BLACK	⚠ WARNING
C400X600A61	BLACK	YELLOW	YELLOW	CAUTION

REV	DATE	BY	CHK	APR	DESCRIPTION	ECN
10	12/16/15	RVU	CLW	JHAC	REFLECT CHANGES OF CORE SIZE AND LABEL ORIENTATION TO MATCH A61334 ISO VIEWS. SHOW 3.0" CORE AND LABELS FACING OUT.	GAECN03285
9	10/18/11	RVU	CLW	MSAD	ADDED PN, C400X600A41, C400X600A51, AND C400X600A61. UPDATE TABLE.	6512
8	4/6/10	RVU	CLW	MSAD	ADDED PN, C400X600AZ1.	6006
7	12/16/09	RVU	CLW	MSAD	CHANGE ROLL ORIENTATION SO THAT THE LABELS FACE-IN INSTEAD OF OUT. KEEP STRIPE AT SAME SIDE AS CURRENTLY VIEWD JUST FACING INSIDE. TOL. UPDATED.	5935
6	2/5/09	JHAC	CLW	MSAD	ADDED ⚠ TO C400X600YZ1 HEADER.	5669
5	12/22/08	JHAC	CLW	MSAD	CHANGED CARRIER WIDTH FROM 4.188 TO 4.20.	5637
4	5/12/08	JHAC	CLW	MSAD	MOVED MATERIAL FROM TABLE TO MATERILA BOX, CHANGED WIDTH.	5404

TITLE
C400X6001**
THERMAL TRANSFER BLANK ARC FLASH LABELS
 CUSTOMER DRAWING

ITEM REVISION NAME
 100472HG/16

DATASET FILE NAME
 100472HG_DC_C10361/16L

UNLESS OTHERWISE SPECIFIED,
 DIMENSIONAL TOLERANCES ARE: IN [mm]
 .x ± .1 [2.54] .xxx ± .031 [.787]
 .xx ± .062 [1.57] ANGLES ±

MATERIAL:
GMY4-HT
POLYESTER

DRAWING NUMBER:
 C10361

THIRD ANGLE PROJECTION

DRAWN BY: RVU DATE: 8/3/05 CHK: MSAD SCALE: NTS
 SHT 1 OF 1 SIZE: A

D101000A/15