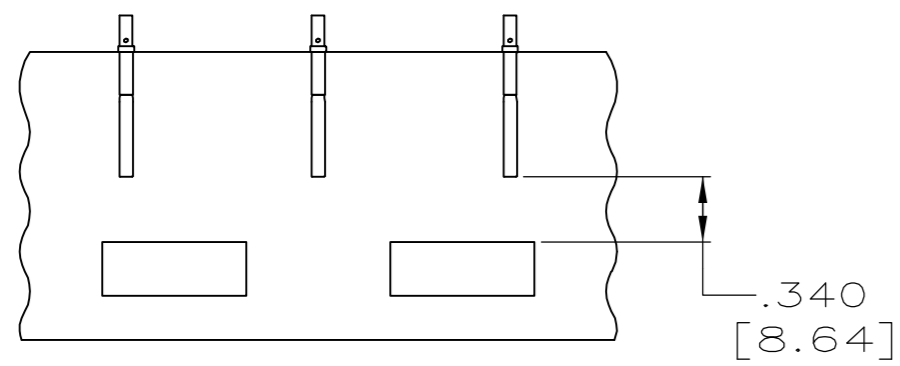


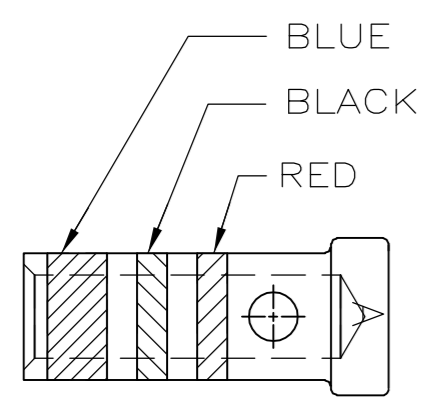
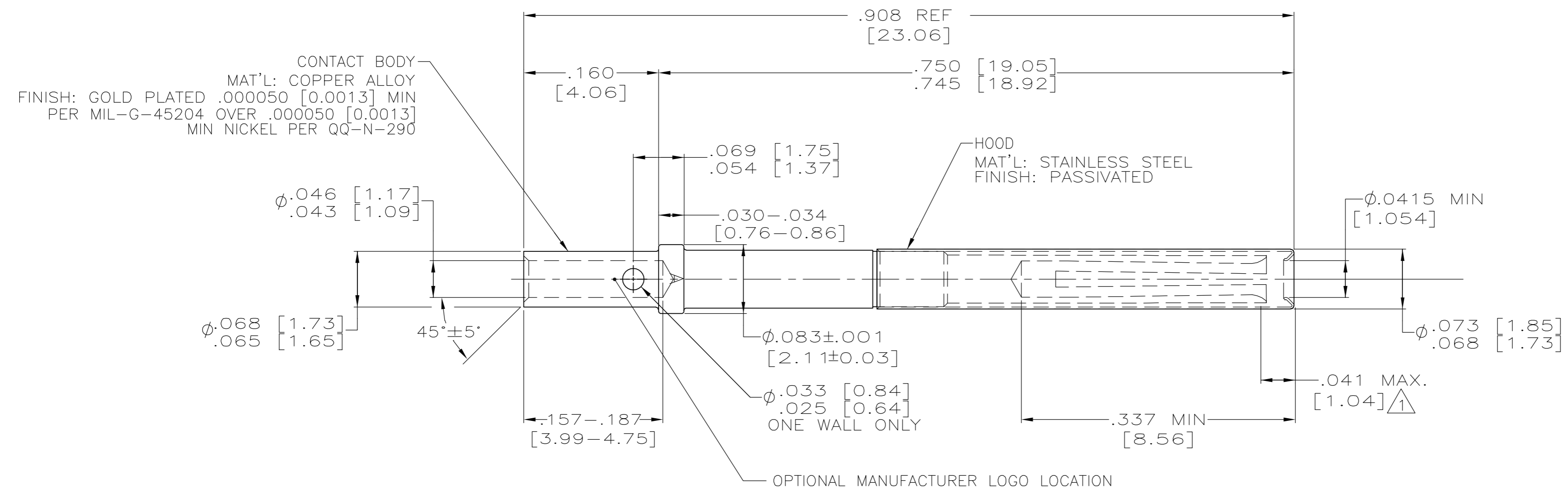
THIS DRAWING IS UNPUBLISHED. RELEASED FOR PUBLICATION
 © COPYRIGHT BY TYCO ELECTRONICS CORPORATION. ALL RIGHTS RESERVED.

LOC		DIST		REVISIONS			
P	LTR	DESCRIPTION		DATE	DWN	APVD	
DF	A0	F		REV PER EC 0H14-0154-04	23JAN06	TK	CT

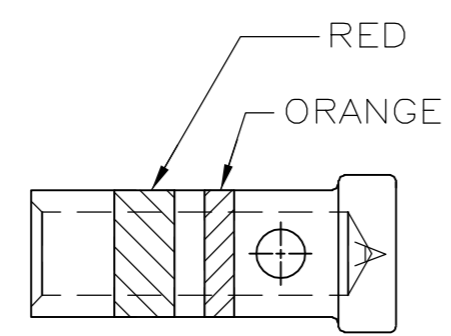


DETAIL A
 SCALE 1:1
 TAPE MOUNTED
 (-3 ONLY)

△ ELECTRICAL ENGAGEMENT POINT.



DETAIL C
 -4 ONLY



DETAIL B
 -2 & -3 ONLY

SEE DETAIL C	208267-4
SEE DETAIL A & B	208267-3
SEE DETAIL B	208267-2
DESCRIPTION	PART NO.

THIS DRAWING IS A CONTROLLED DOCUMENT.		DWN	C.C.THOMAS	12/21/00	Tyco Electronics Corporation Harrisburg, PA 17105-3608
DIMENSIONS: INCHES		CHK	S.GLATFELTER	1-10-01	
TOLERANCES UNLESS OTHERWISE SPECIFIED:		APVD	S.GLATFELTER	1-10-01	
0 PLC ± - 1 PLC ± - 2 PLC ± - 3 PLC ± .005 [0.13] 4 PLC ± - ANGLES ± -		NAME		RESTRICTED TO	
MATERIAL: SEE CALLOUTS		FINISH: SEE CALLOUTS		WEIGHT: -	SIZE: A2
CUSTOMER DRAWING		SCALE: 10:1		SHEET: 1 of 1	REV: F