

P.C.B LAYOUT
t: 1.6±0.1mm

REMARK:

1.CHARACTERISTICS:

RATED VOLTAGE: 250V
RATED CURRENT: 5AMP
CONTACT RESISTANCE: 25mohms MAX.INITIAL;40mohms MAX.AFTER.
INSULATION RESISTANCE: 5000Mohms MIN.at 500V DC
DIELECTRIC STRENGTH: 1000VRMS
OPERATING TEMPERATURE RANGE: -55°C~105°C
INSERTION/EXTRACTION FORCE PER CONTACT:5N Max./0.3N Min.
MATING/UNMATING CYCLES:50MATINGS MIN.

2.MATERIAL:

INSULATORS: GLASS-FILLED THERMOPLASTIC UL94V-0, COLOR IN BLACK.
CONTACTS: COPPER ALLOY, SELECTIVE GOLD ON CONTACT AREA,
100u" Min MATTE TIN TOP OVER SOLDER AREA,
30u" Min NICKEL UNDER PLATE.
SHELL: STEEL,100u" Min NICKEL TOP OVER,
50u" Min COPPER UNDER PLATE.
CLINCH NUT:COPPER ALLOY,100u" Min MATTE TIN PLATED.

3. PART NUMBER DESCRIPTION:

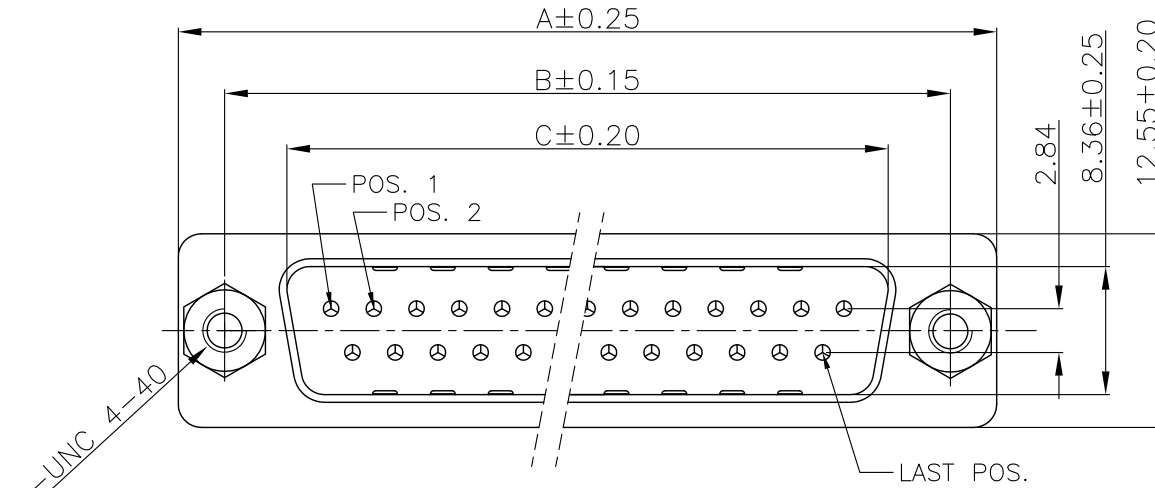
10090096-P XX 4 X LF

SERIES NO. _____
TYPE _____
P: PIN (MALE)
NUMBER OF CONTACTS _____
09: 9-PIN
15: 15-PIN
25: 25-PIN
37: 37-PIN
LF: ROHS COMPLIANT
FLANGE MOUNTING OPTION
X: UNC #4-40 CLINCHNUTS
CONTACT FINISH
4: GOLD FLASH

POS.	PART NO.	THREAD TYPE
9	10090096-P094XLF	UNC #4-40
15	10090096-P154XLF	UNC #4-40
25	10090096-P254XLF	UNC #4-40
37	10090096-P374XLF	UNC #4-40

POS.	A	B	C	D	G	H
9	30.81	24.99	16.92	19.28	2.74	5.90 ^{+0.15} ₀
15	39.24	33.32	25.25	27.65	2.74	5.90 ^{+0.15} ₀
25	53.04	47.04	38.96	41.10	2.77	5.70 ^{+0.25} ₀
37	69.32	63.50	55.42	57.44	2.77	5.70 ^{+0.25} ₀

mat'l. code				tolerances unless otherwise specified			CUSTOMER COPY		FCI	
ltr	ecn no	dr	date	linear	.X ± 0.38	projection	www.fciconnect.com		title	
A	T09-1033	J.H	3/12/09		.XX ± 0.25		D-SUB MALE STRAIGHT		product family D-SUB	
B	T09-1044	J.H	4/2/09	angles	.XXX ± 0.10		code TWN			
C	ELX-H-011675	P.K	18/05/12		0° ± 2°	MM	size 10090096		sheet 1 of 2	
D	ELX-I-15500	A.B	2013/08/21	dr	JASON HSU 3/12/09	scale 1:1	A4			
E	ELX-I-16775	A.B	2014/01/21	enr	ALIAS BABU 2014/01/21					
				chr	MITHUN PAUL 2014/01/21					
				appd	BIJU.K.PAUL 2014/01/21					
sheet index	revision sheet	E 1	E 2							



REMARK:

1.CHARACTERISTICS:

RATED VOLTAGE: 250V
 RATED CURRENT: 5AMP
 CONTACT RESISTANCE: 25mohms MAX.INITIAL;40mohms MAX.AFTER.
 INSULATION RESISTANCE: 5000Mohms MIN.at 500V DC
 DIELECTRIC STRENGTH: 1000VRMS
 OPERATING TEMPERATURE RANGE: -55°C~105°C
 INSERTION/EXTRACTION FORCE PER CONTACT:5N Max./0.3N Min.
 MATING/UNMATING CYCLES:50MATINGS MIN.

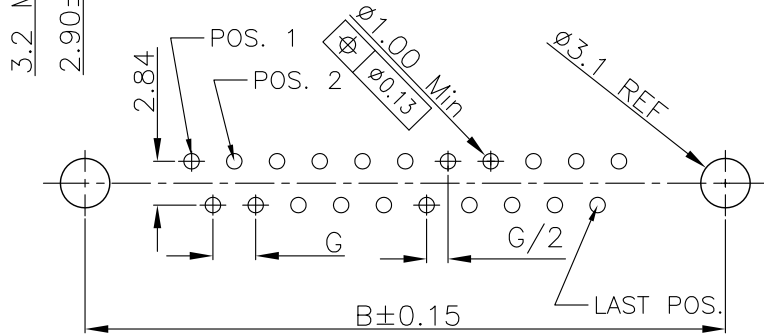
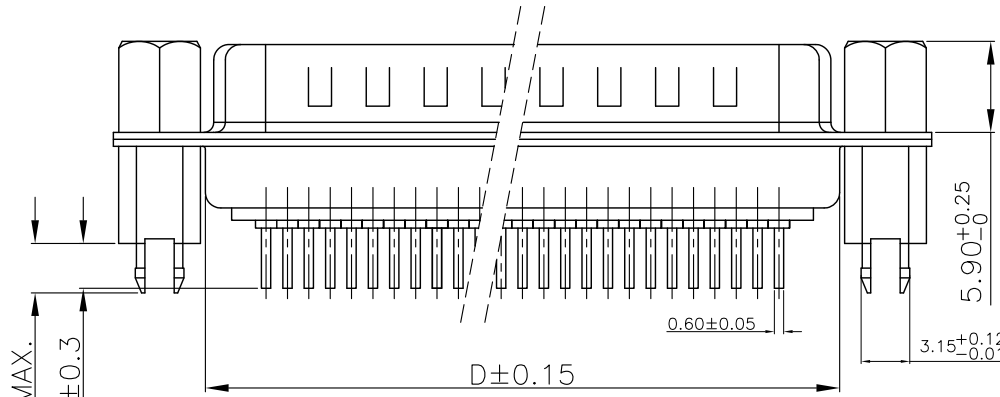
2.MATERIAL:

INSULATORS: GLASS-FILLED THERMOPLASTIC UL94V-0, COLOR IN BLACK
 CONTACTS: COPPER ALLOY,SELECTIVE GOLD ON CONTACT AREA,
 100u" Min MATTE TIN TOP OVER SOLDER AREA,
 30u" Min NICKEL UNDER PLATE.
 SHELL: STEEL,100u" Min NICKEL TOP OVER,
 50u" Min COPPER UNDER PLATE.
 CLINCH NUT: COPPER ALLOY,100u" Min MATTE TIN PLATED.
 SCREW LOCK: COPPER ALLOY, 100u" Min BRIGHT NICKEL PLATED.

3. PART NUMBER DESCRIPTION:

10090096-P XX 4 V LF

SERIES NO. _____
 TYPE _____
 P: PIN (MALE)
 NUMBER OF CONTACTS _____
 09: 9-PIN
 15: 15-PIN
 25: 25-PIN
 37: 37-PIN
 LF: ROHS COMPLIANT
 FLANGE MOUNTING OPTION
 V: UNC #4-40 SCREWLOCKS
 CONTACT FINISH
 4: FLASH GOLD



P.C.B LAYOUT
 t: 1.6±0.1mm

POS.	PART NO.	H
9	10090096-P094VLF	5.90±0.15
15	10090096-P154VLF	5.90±0.15
25	10090096-P254VLF	5.70±0.25
37	10090096-P374VLF	5.70±0.25

POS.	A	B	C	D	G
9	30.81	24.99	16.92	19.28	2.74
15	39.24	33.32	25.25	27.65	2.74
25	53.04	47.04	38.96	41.10	2.77
37	69.32	63.50	55.42	57.44	2.77

mat'l. code				tolerances unless otherwise specified			CUSTOMER COPY		FCI	
ltr	ecn no	dr	date	linear	.X ± 0.38	projection	www.fciconnect.com			
E					.XX ± 0.25		title			
				angles	.XXX ± 0.10		D-SUB MALE STRAIGHT			
					0° ±2°		product family		code	
				dr	JASON HSU 6/30/08		D-SUB		TWN	
				enr	ALIAS BABU 2014/01/21	MM	size		sheet	
				chr	MITHUN PAUL 2014/01/21	scale	10090096		2 of 2	
				appd	BIJU.K.PAUL 2014/01/21	1:1	A4			
sheet index	revision sheet									