

## Overview

KEMET's M550 and M551 Modular Series are manufactured by placing T550 or T551 Polymer Hermetic Sealed Capacitors (PHS) in parallel. The T550 and T551 Series are manufactured utilizing KEMET's exclusive F-Tech process and are 100% tested per KEMET's patented Simulated Breakdown Screening process. This configuration provides high and stable capacitance (up to 8,200  $\mu\text{F}$ ), extremely low ESR (down to 15 m $\Omega$ ) and extremely low and stable leakage current, all in a mechanically robust package.

The M55 Modules are available in two temperature offerings: 105°C (M550 Series) and 125°C (M551 Series). With reduced ESR and enhanced capacitance retention at higher frequencies and low temperatures, KEMET modules provide the highest total capacitance and the lowest total cost of ownership for high power applications.

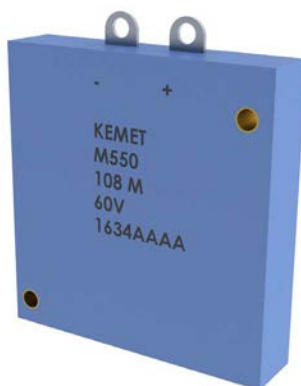
## Benefits

- Extremely low and stable ESR (as low as 15 m $\Omega$ )
- Voltage Ratings from 6 to 180 VDC
- High frequency capacitance retention
- Low temperature capacitance stability
- High ripple current capability (17,500 mA<sub>rms</sub>)
- High inrush current capability
- Excellent power dissipation capability
- Stackable packaging
- Mechanically robust assembly and epoxy housing
- Operates at up to 80% rated voltage
- Customized solutions available
- RoHS compliant terminations available

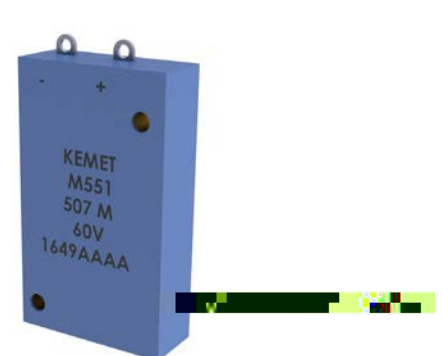
## Applications

Designed for mission critical applications requiring high power, filtering, hold-up and current pulse generation.

Module 1



Module 2



## Ordering Information

M	550	B	108	M	060	A	A
Capacitor Class	Series	Case Size	Capacitance Code (pF)	Capacitance Tolerance	Rated Voltage (VDC)	Product Level	Termination Finish
M = Module	550= Capacitor Series (PHS 105°C) 551= Capacitor Series (PHS 125°C)	B	First two digits represent significant figures. Third digit specifies number of zeros.	K = ±10% M = ±20%	006 = 6 008 = 8 010 = 10 015 = 15 025 = 25 030 = 30 040 = 40 050 = 50 060 = 60 075 = 75 100 = 100 180 = 180	A = N/A B* = DLA 13030 standard reliability T* = DLA 13030 high reliability	A = 100% silver (Ag) T = 100% tin (Sn) plated H = Tin/lead (SnPb) solder coated (5% Pb minimum) S = Solder coated (60% Sn, 40% Pb) G = 100% gold (Au)

## Performance Characteristics

Item	Performance Characteristics
Operating Temperature	-55°C to 105°C/125°C*
Rated Capacitance Range	60 µF to 8,200 µF at 120 Hz/25°C
Capacitance Tolerance	K Tolerance (10%), M Tolerance (20%)
Rated Voltage Range	6 – 180 V
DF (120 Hz at 25°C)	Refer to Part Number Electrical Specification Table
ESR (100 kHz at 25°C)	Refer to Part Number Electrical Specification Table
Leakage Current	Refer to Part Number Electrical Specification Table

\* Refer to the part number specification table.

## Qualification

Test Performed	Method Reference	Test Conditions
<b>Reliability and Environmental Tests</b>		
AC Ripple Life at 85°C, 0.67 V <sub>r</sub>	MIL-PRF-39006	85°C, 40 kHz ripple current, 2,000 hours
Thermal Shock	MIL-PRF-39006	Condition A, -55°C to +105°C 5 cycles
Temperature Stability	MIL-PRF-39006	Extreme temperature exposure at a succession of continuous steps at +25°C, -55°C, +25°C, +85°C, +105, +25°C
<b>Physical, Mechanical and Process Tests</b>		
Mechanical Shock	KEMET Custom Test	Condition I
Vibration High Frequency	MIL-PRF-39006	Method 204, Test condition D, 20 g peak

## Dimensions – Millimeters (Inches)

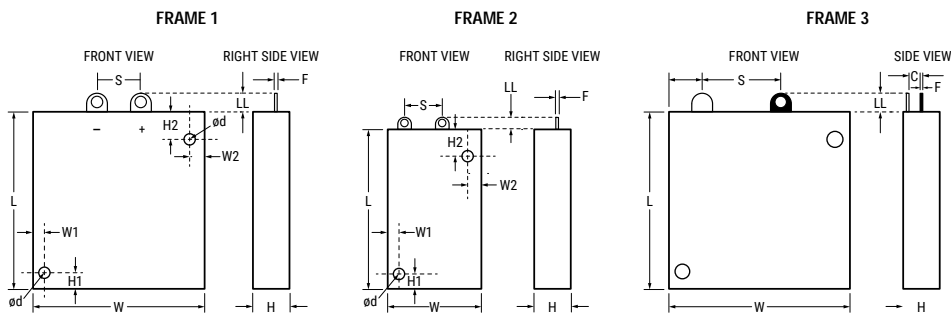


Table 1 – Ratings & Part Number Reference

Rated Voltage (V) 85°C	Rated Capacitance (µF)	Frame Size	KEMET Module Part Number	DC Leakage µA at 25°C max/5min	DF% at 25°C 120 Hz Max	Maximum ESR mΩ at 25°C 100 kHz	Ripple Current mArms at 85°C/40 kHz	Maximum Operating Temperature (°C)
6	700	2	M550B707(1)006A(3)	32	5	40	7550	105
6	700	2	M551B707(1)006A(3)	32	5	40	7550	125
6	4100	2	M550B418(1)006A(3)	185	5	30	8750	105
6	4100	2	M551B418(1)006A(3)	185	5	30	8750	125
6	8200	1	M550B828(1)006A(3)	369	5	15	17500	105
6	8200	1	M551B828(1)006A(3)	369	5	15	17500	125
8	1100	2	M550B118(1)008A(3)	66	5	40	7550	105
8	1100	2	M551B118(1)008A(3)	66	5	40	7550	125
8	3400	2	M550B348(1)008A(3)	204	5	30	8750	105
8	3400	2	M551B348(1)008A(3)	204	5	30	8750	125
8	6800	1	M550B688(1)008A(3)	408	5	15	17500	105
8	6800	1	M551B688(1)008A(3)	408	5	15	17500	125
10	500	2	M550B507(1)010A(3)	38	5	50	7000	105
10	500	2	M551B507(1)010A(3)	38	5	50	7000	125
10	900	2	M550B907(1)010A(3)	68	5	40	7900	105
10	900	2	M551B907(1)010A(3)	68	5	40	7900	125
10	2200	2	M550B228(1)010A(3)	210	5	30	8750	105
10	2200	2	M551B228(1)010A(3)	210	5	30	8750	125
10	5600	1	M550B568(1)010A(3)	420	5	15	17500	105
10	5600	1	M551B568(1)010A(3)	420	5	15	17500	125
15	350	2	M550B357(1)015A(3)	40	5	50	7000	105
15	350	2	M551B357(1)015A(3)	40	5	50	7000	125
15	600	2	M550B607(1)015A(3)	68	5	40	7900	105
15	600	2	M551B607(1)015A(3)	68	5	40	7900	125
15	2000	2	M550B208(1)015A(3)	225	5	5(6)	8.434	1212121212

(Pb), G = 100% gold (Au), A = 100% silver (Ag). Designates termination finish.

Table 1 – Ratings & Part Number Reference cont'd

Rated Voltage (V) 85°C	Rated Capacitance (μF)	Frame Size	KEMET Module Part Number	DC Leakage μA at 25°C max/5min	DF% at 25°C 120 Hz Max	Maximum ESR mΩ at 25°C 100 kHz	Ripple Current mArms at 85°C/40 kHz	Maximum Operating Temperature (°C)
50	600	2	M551B607(1)050(2)(3) *	225	5	30	8750	125
50	1000	1	M550B108(1)050(2)(3) *	375	5	20	14500	105
50	1000	1	M551B108(1)050A(3)	375	5	20	14500	125
50	1200	1	M550B128(1)050(2)(3) *	450	5	15	17500	105
50	1200	1	M551B128(1)050A(3)	450	5	15	17500	125
60	100	2	M550B107(1)060A(3)	45	5	60	5875	105
60	100	2	M551B107(1)060A(3)	45	5	60	5875	125
60	500	2	M550B507(1)060A(3)	225	5	50	8300	105
60	500	2	M551B507(1)060A(3)	225	5	50	8300	125
60	1000	1	M550B108(1)060(2)(3) *	450	5	25	16600	105
60	1000	1	M551B108(1)060A(3)	450	5	25	16600	125
75	370	2	M550B377(1)075A(3)	208	5	40	7900	105
75	750	1	M550B757(1)075(2)(3) *	422	5	20	15800	105
100	120	2	M550B127(1)100A(3)	90	5	60	6375	105
100	250	1	M550B257(1)100(2)(3) *	188	5	30	12750	105
108	250	3	M550B257(1)108(2)(3)	350	5	50	8300	105
108	250	3	M551B257(1)108(2)(3)	350	5	50	8300	125
135	180	3	M550B187(1)135(2)(3)	302	5	50	7900	105
180	60	3	M550B606(1)180(2)(3)	141	5	80	6000	105

(Pb) , G = 100% gold (Au) , A = 100% silver (Ag). Designates termination finish.

## Recommended Voltage Derating Guidelines

	-55°C to 105°C	105°C to 125°C
% Change in Working DC Voltage with Temperature	78% of $V_R$	66% of $V_R$
Recommended Maximum Application Voltage (As % of Rated Voltage)	63% of $V_R$	54% of $V_R$

## Ripple Current/Ripple Voltage

Permissible AC ripple voltage and current are related to equivalent series resistance (ESR) and the power dissipation capabilities of the device. Permissible AC ripple voltage that may be applied is limited by two criteria:

1. The positive peak AC voltage plus the DC bias voltage, if any, must not exceed the DC voltage rating of the capacitor.
2. The negative peak AC voltage in combination with bias voltage, if any, must not exceed the allowable limits specified for reverse voltage.

The maximum power dissipation by case size can be determined using the below left table. The maximum power dissipation rating stated in the table must be reduced with increasing environmental operating temperatures. Refer to the below right table for temperature compensation requirements.

Case Code		Maximum Power Dissipation ( $P_{max}$ ) mWatts at 25°C with +60°C Rise
KEMET	MIL-PRF-39006/22/ 25/30/31 Case Size	
B	T2	715

Using the  $P_{max}$  of the device, the maximum allowable rms ripple current or voltage may be determined.

$$I(max) D \quad \underline{\hspace{2cm}}$$

Temperature Compensation Multipliers for Maximum Power Dissipation ( $P_{max}$ )		
$T \leq 45^\circ\text{C}$	$45^\circ\text{C} < T \leq 85^\circ\text{C}$	$85^\circ\text{C} < T \leq 125^\circ\text{C}$
1.00	0.70	0.10

## Reverse Voltage

Solid tantalum polymer capacitors are polar devices and may be permanently damaged or destroyed if connected with the wrong polarity. A small reverse voltage is permissible for time periods per the table at right. KEMET can offer lower capacitance in this voltage with higher reverse voltage capability. In addition, we continue to improve our capability for this characteristic.

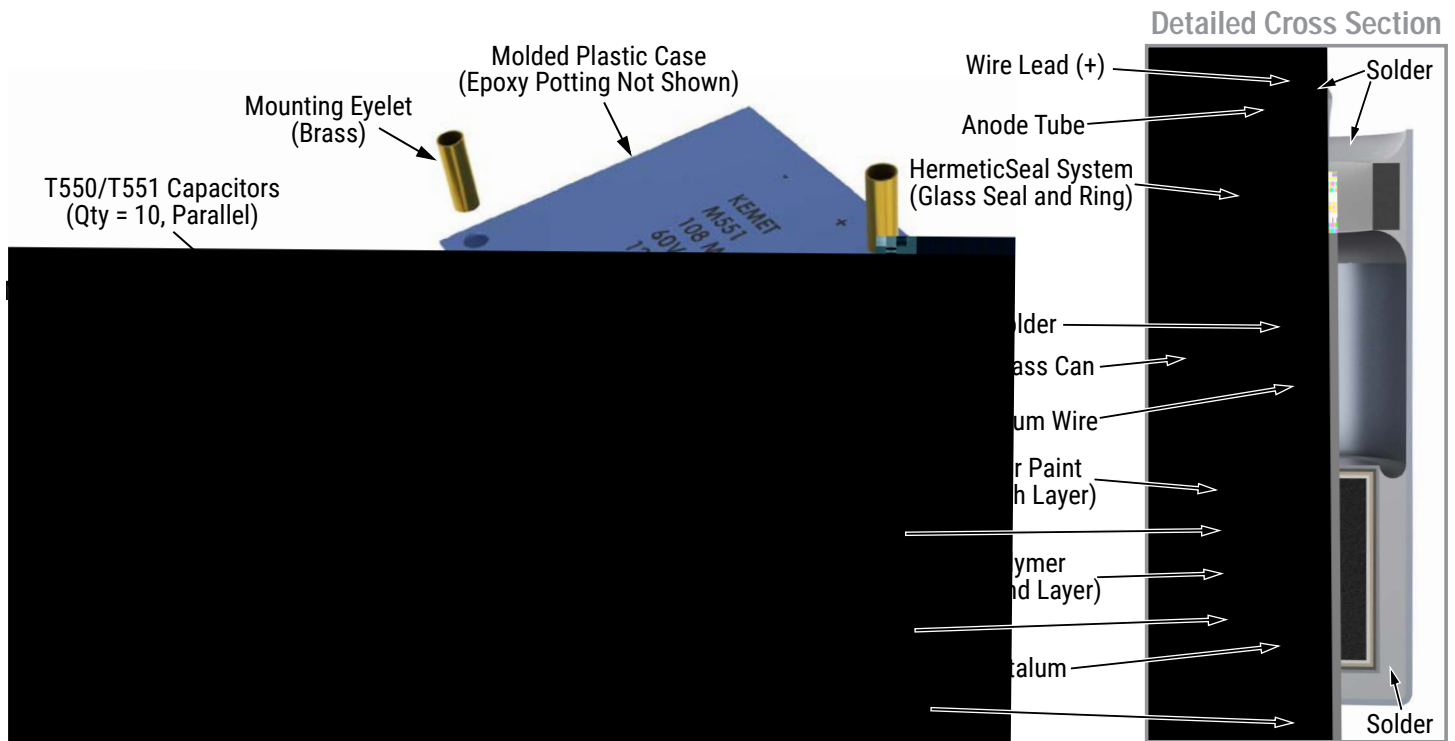
Temperature	Permissible Reverse Voltage
25°C	1 V for 8 hours Maximum
70°C	1 V for 2 hours Maximum

## Mounting

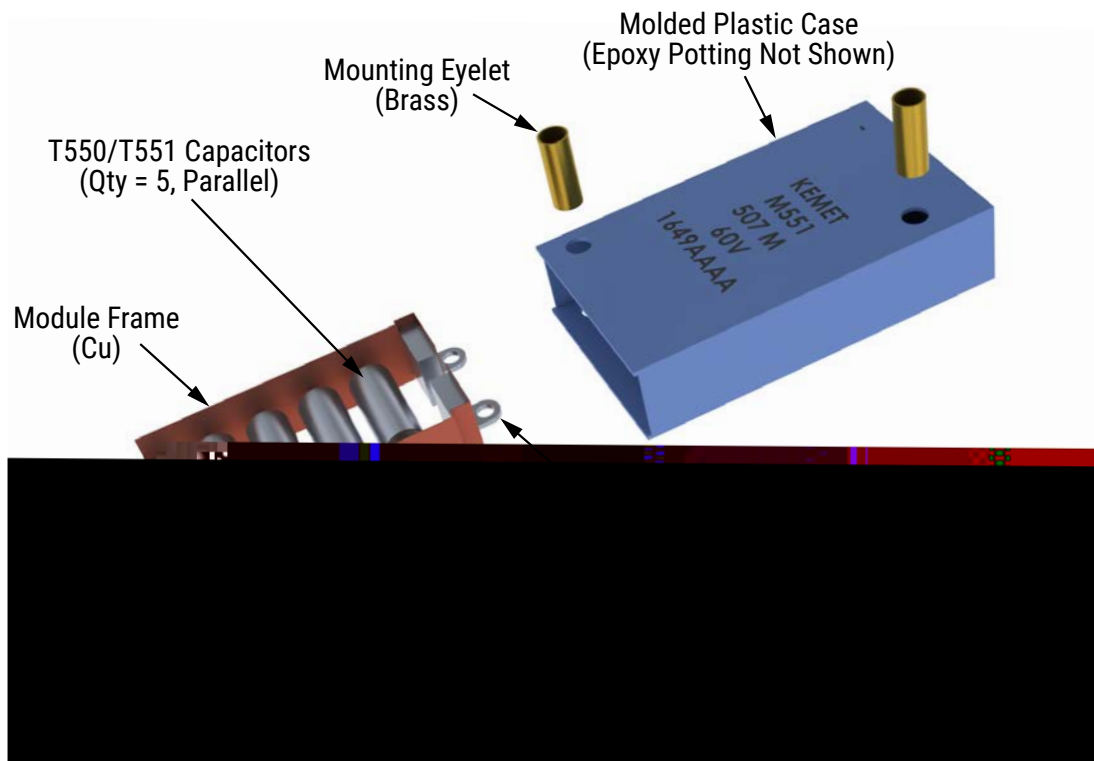
The M550 and M551 Modular Series are suitable for stacking to the board. The use of a heat sink is recommended. These products are not suitable for reflow soldering. For manual-soldering process with soldering iron, the maximum recommended temperature is 350°C for no more than 3 seconds. Care should be taken to avoid contact of the soldering iron to the epoxy housing. The iron should be used to heat the solder pad, applying solder between the pad and the terminal of the module, until reflow occurs.

## Construction

Module 1

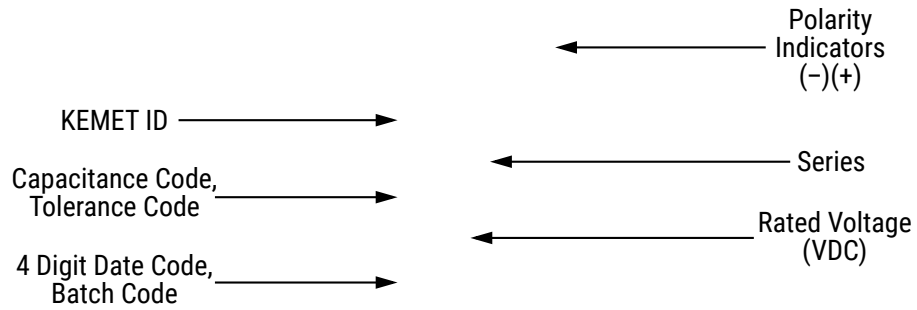


Module 2





## Capacitor Marking



## Storage

Polymer Hermetic Seal Modules should be stored in normal working environments. KEMET recommends that maximum storage temperature not exceed 40°C and maximum storage humidity not exceed 90% RH. For optimal solderability, module stock should be used promptly, preferably within three years of receipt.

## Packaging

Modules shall be packaged in carton boxes. Packaging methods and materials used shall prevent degradation of physical and mechanical characteristics. MSL 1

Series	Carton Box Qty
M55	10 max

## KEMET Electronic Corporation Sales Offices

For a complete list of our global sales offices, please visit [www.kemet.com/sales](http://www.kemet.com/sales).

---

### Disclaimer

All product specifications, statements, information and data (collectively, the "Information") in this datasheet are subject to change. The customer is responsible for checking and verifying the extent to which the Information contained in this publication is applicable to an order at the time the order is placed.

All Information given herein is believed to be accurate and reliable, but it is presented without guarantee, warranty, or responsibility of any kind, expressed or implied.

Statements of suitability for certain applications are based on KEMET Electronics Corporation's ("KEMET") knowledge of typical operating conditions for such applications, but are not intended to constitute – and KEMET specifically disclaims – any warranty concerning suitability for a specific customer application or use. The Information is intended for use only by customers who have the requisite experience and capability to determine the correct products for their application. Any technical advice inferred from this Information or otherwise provided by KEMET with reference to the use of KEMET's products is given gratis, and KEMET assumes no obligation or liability for the advice given or results obtained.

Although KEMET designs and manufactures its products to the most stringent quality and safety standards, given the current state of the art, isolated component failures may still occur. Accordingly, customer applications which require a high degree of reliability or safety should employ suitable designs or other safeguards (such as installation of protective circuitry or redundancies) in order to ensure that the failure of an electrical component does not result in a risk of personal injury or property damage.

Although all product-related warnings, cautions and notes must be observed, the customer should not assume that all safety measures are indicated here.