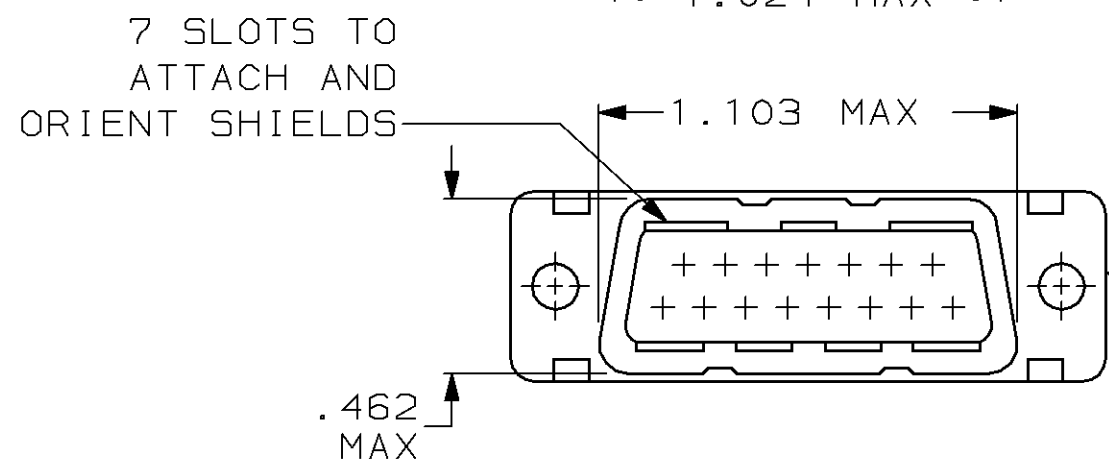
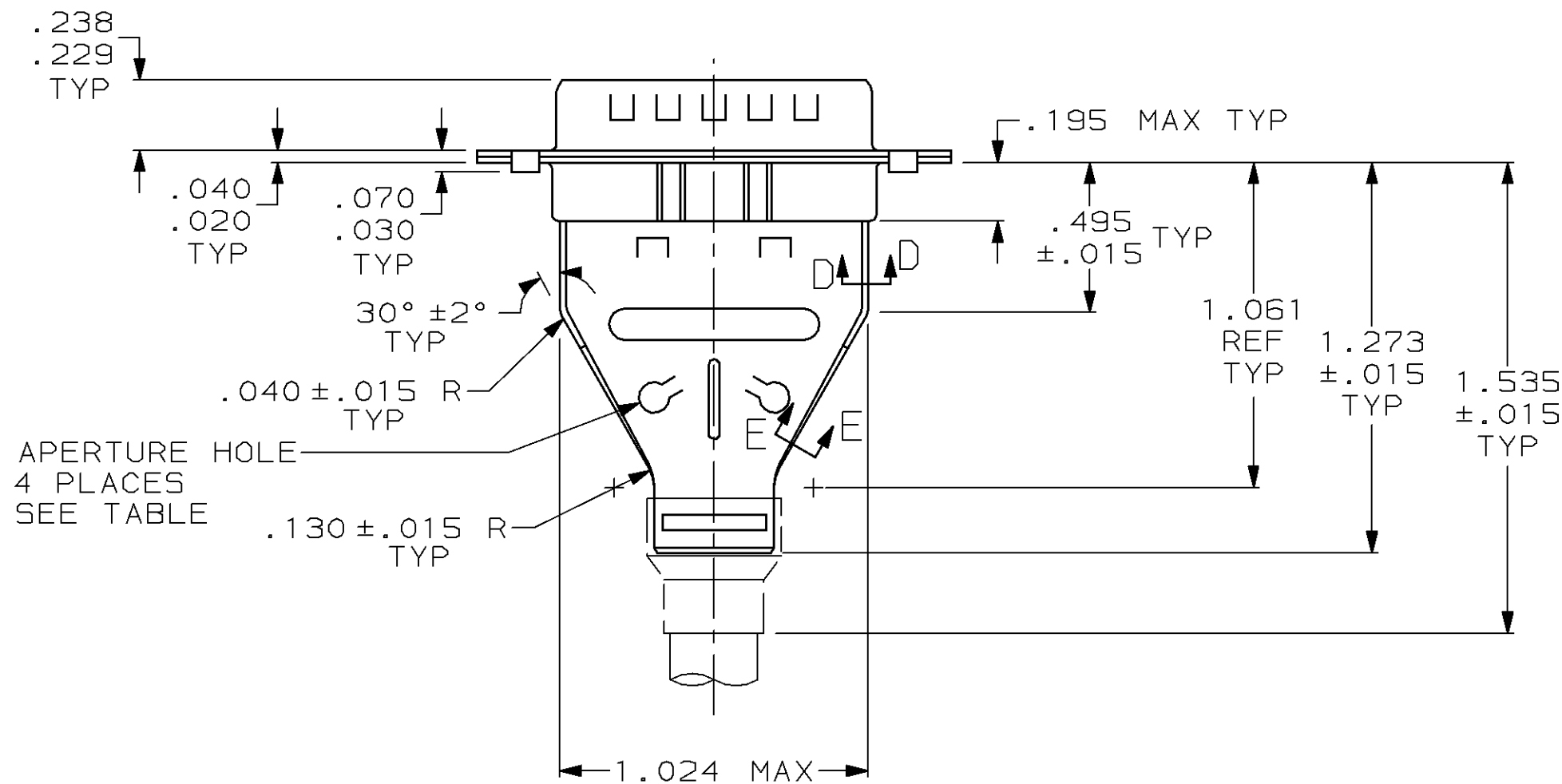
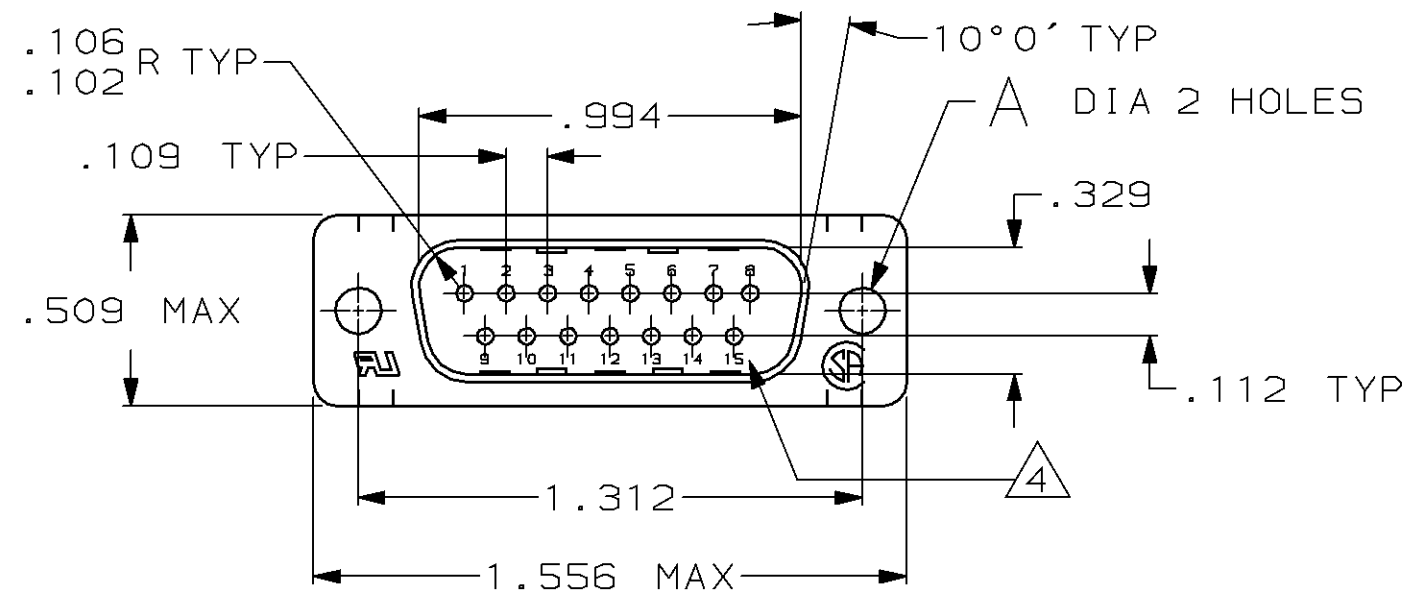
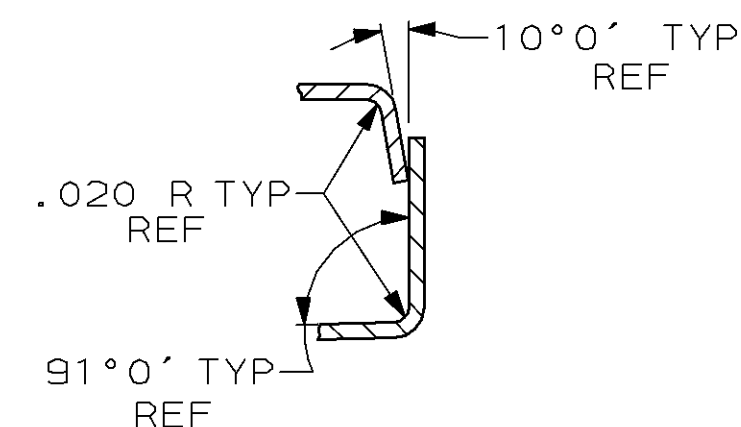
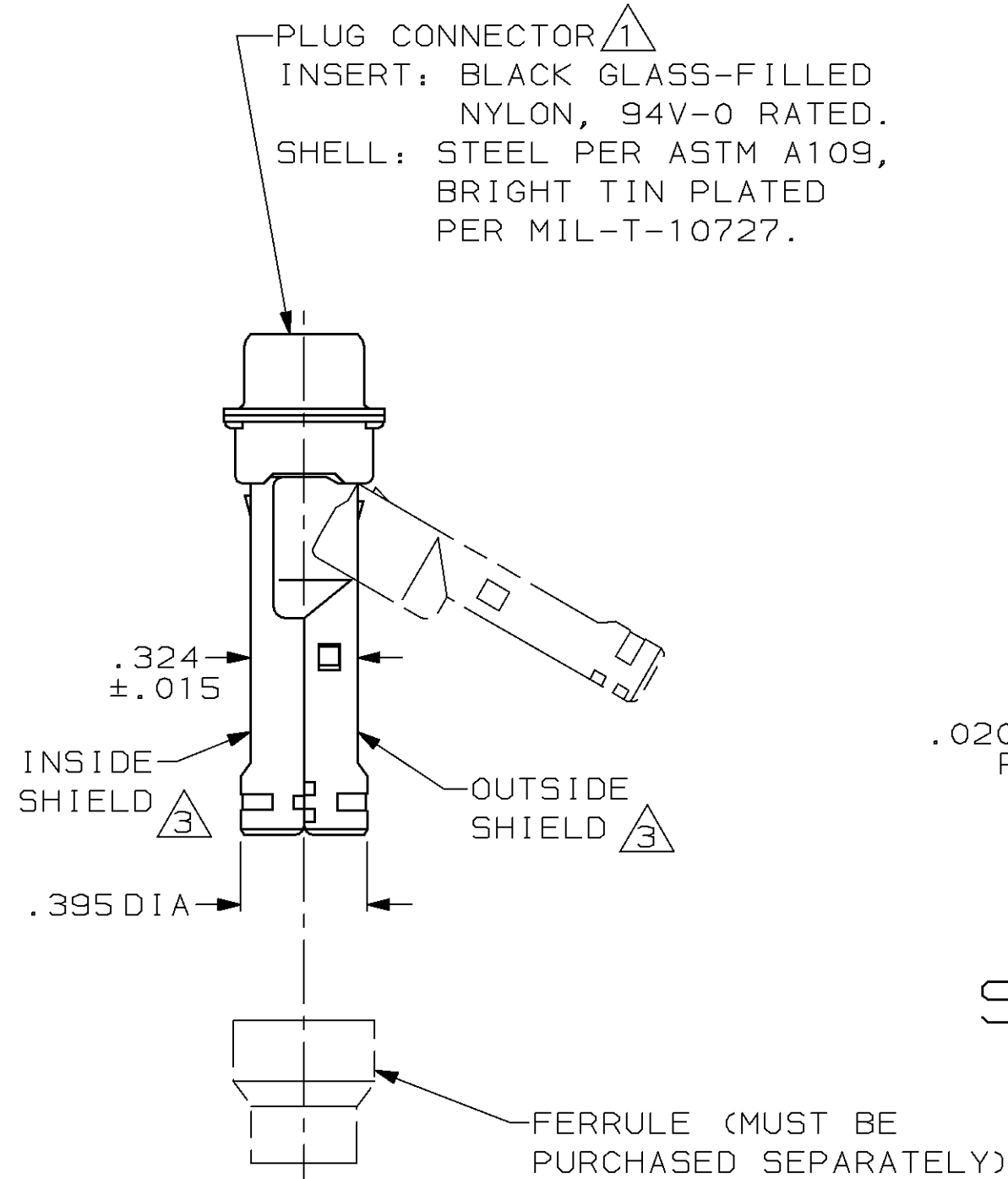


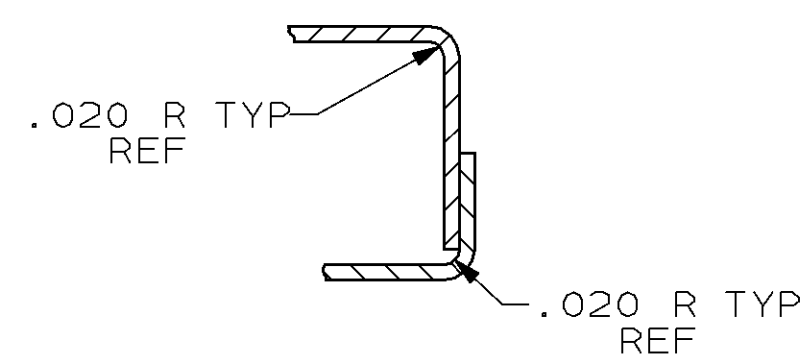
LOC	DIST	P	F	ZONE	LTR	REVISIONS	DATE	APPD	
BD	48					A	REDRAWN	5-25-90	-
						B	REV PER ECN BD5049	7-2-91	TMS
						C	ADDED-2 NPR3889 WAS 91-5788-3-1	01/02/92	TMS
						D	OBS -2 PER ECN BD5856	01/17/92	TMS
						E	REACTIVATED -2 PER NPR 3975	02/14/92	TMS
						F	ADDED -3 PER NPR 4125, WAS 92-5788-9-1	04/20/92	TS
						G	ADDED -4 PER NPR 4263	07/10/92	SB
						H	OBS -2, -3 PER EC 0020-724-95	11 MAR 96	JCS



VIEW OF REAR SHELL (WITH SHIELDS REMOVED)



SECTION D-D
SCALE 4:1



SECTION E-E
SCALE 4:1

- 1 PLUG ACCEPTS SIZE 20 PIN CONTACTS (CONTACTS MUST BE ORDERED SEPARATELY).
- 2. ALL PARTS SHIPPED UNASSEMBLED, EACH PART INDIVIDUALLY BULK PACKED.
- 3 SHIELDS: MATERIAL-.020 THICK STEEL, TIN PLATED PER MIL-T-10727.
- 4 RAISED CAVITY IDENTIFICATION AND AMP TRADEMARK.
- 5 SEE RESTRICTED CUSTOMER DRAWING 747538-4.

OBSOLETE	.150/.160	WITH	747538-3
OBSOLETE	.115/.125	WITHOUT	747538-2
	.115/.125	WITH	747538-1
	A	APERTURE HOLE	PART NUMBER

DO NOT SCALE PRINT. UNLESS SPECIFIED DIMENSIONS IN INCHES TOLERANCES ON :	DR 5-25-90 J GALLUCCI BG	AMP INCORPORATED Harrisburg, Pa. 17105	
2 PLC DEC ± -	CHK J. McCLINTON 8-31-90		
3 PLC DEC ± .005	APPD B. TAYLOR 9-4-90	NAME	
ANGLES ± 0°30'	APPD J. ASSINI 9-4-90	KIT, PLUG, SHIELDING HARDWARE, SIZE 2, 15 POSN, HDP-20, AMPLIMITE™	
MATERIAL	PRODUCT SPEC	SIZE	
SEE CALL OUT	-	C	FSCM NO 00779
FINISH	APPLICATION SPEC	DRAWING NO 747538	
SEE CALL OUT	-	SCALE 2:1	SHEET 1 OF 1
	WEIGHT -		