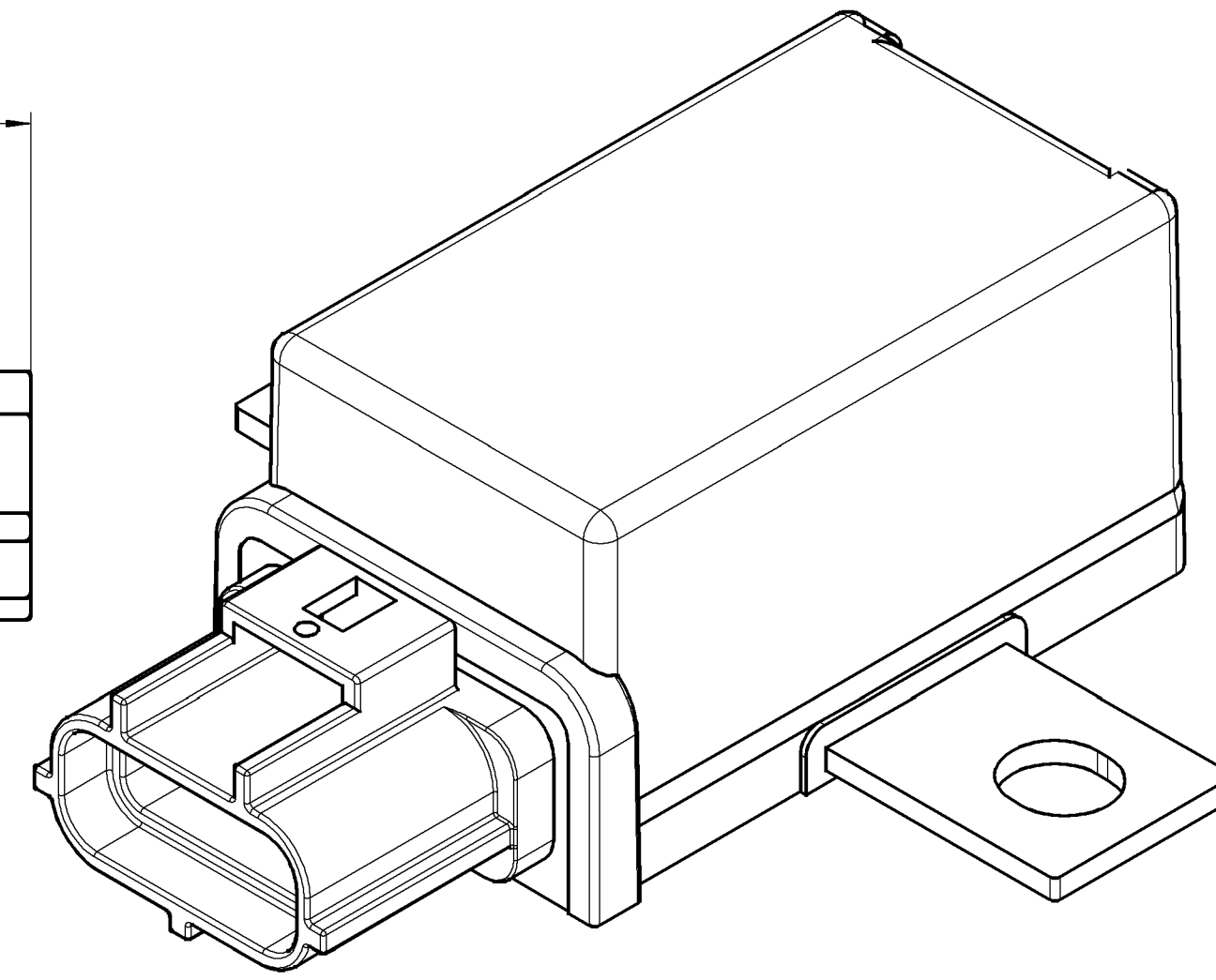
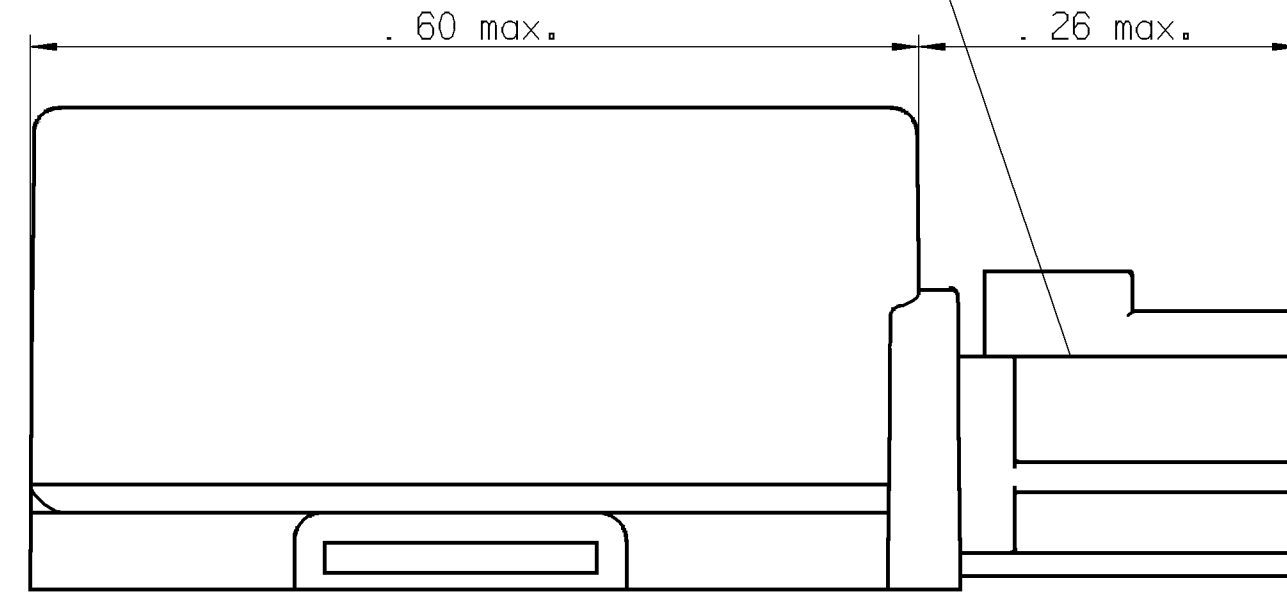
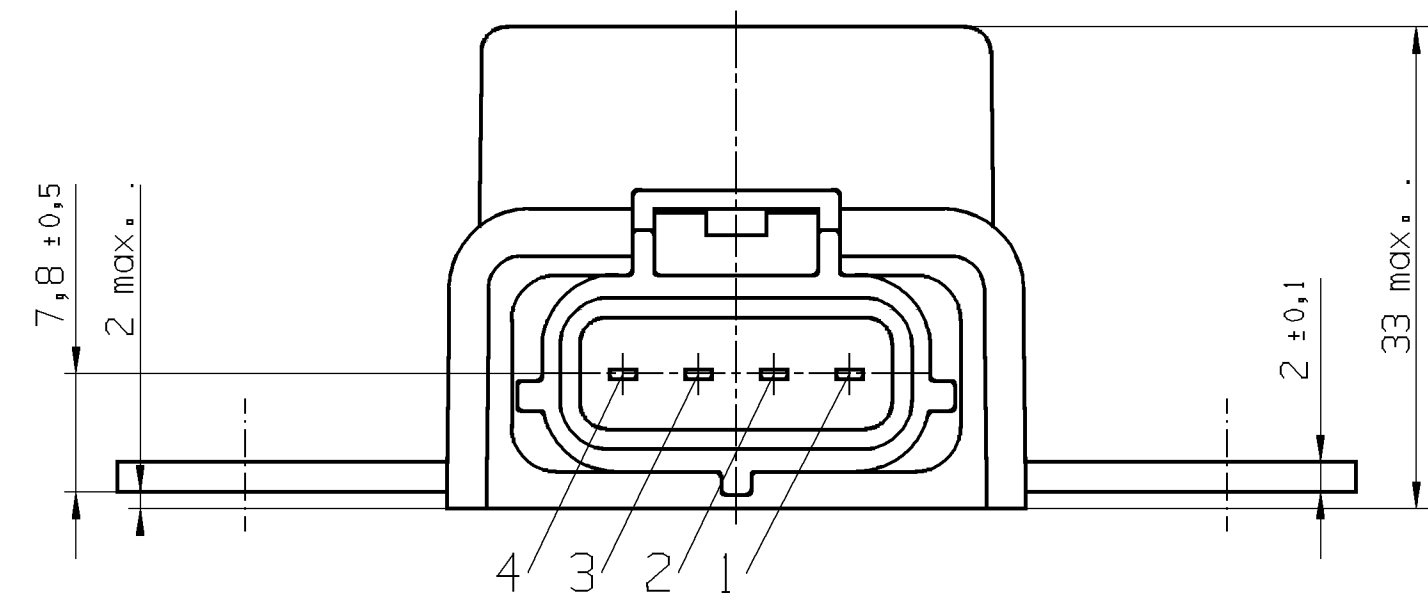
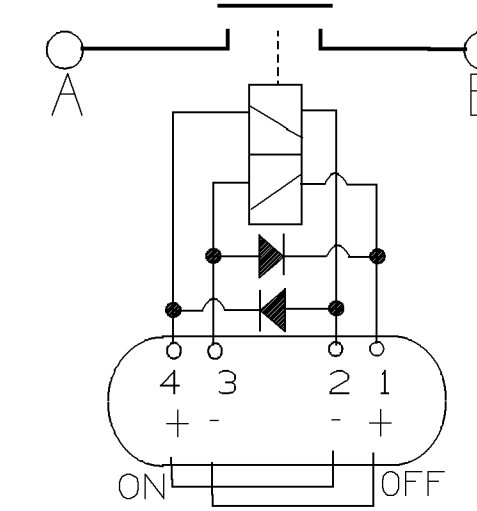


AMP Sensor Connector 4-Position 0.070 Series,  
appropriate for AMP part no. 184046-1



3D-VIEW

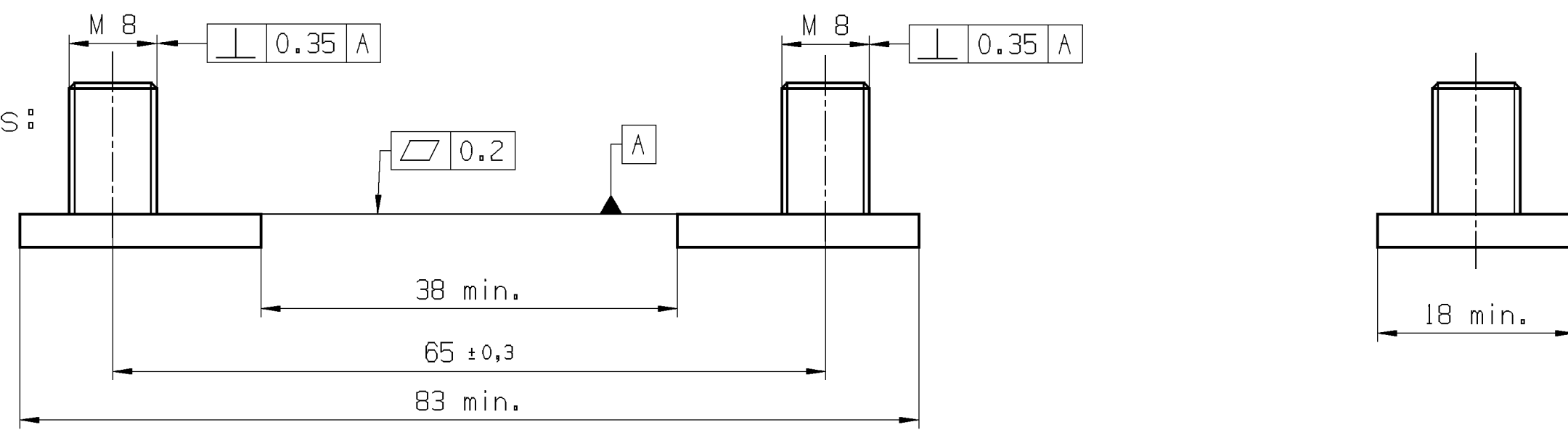
Pin Assignment



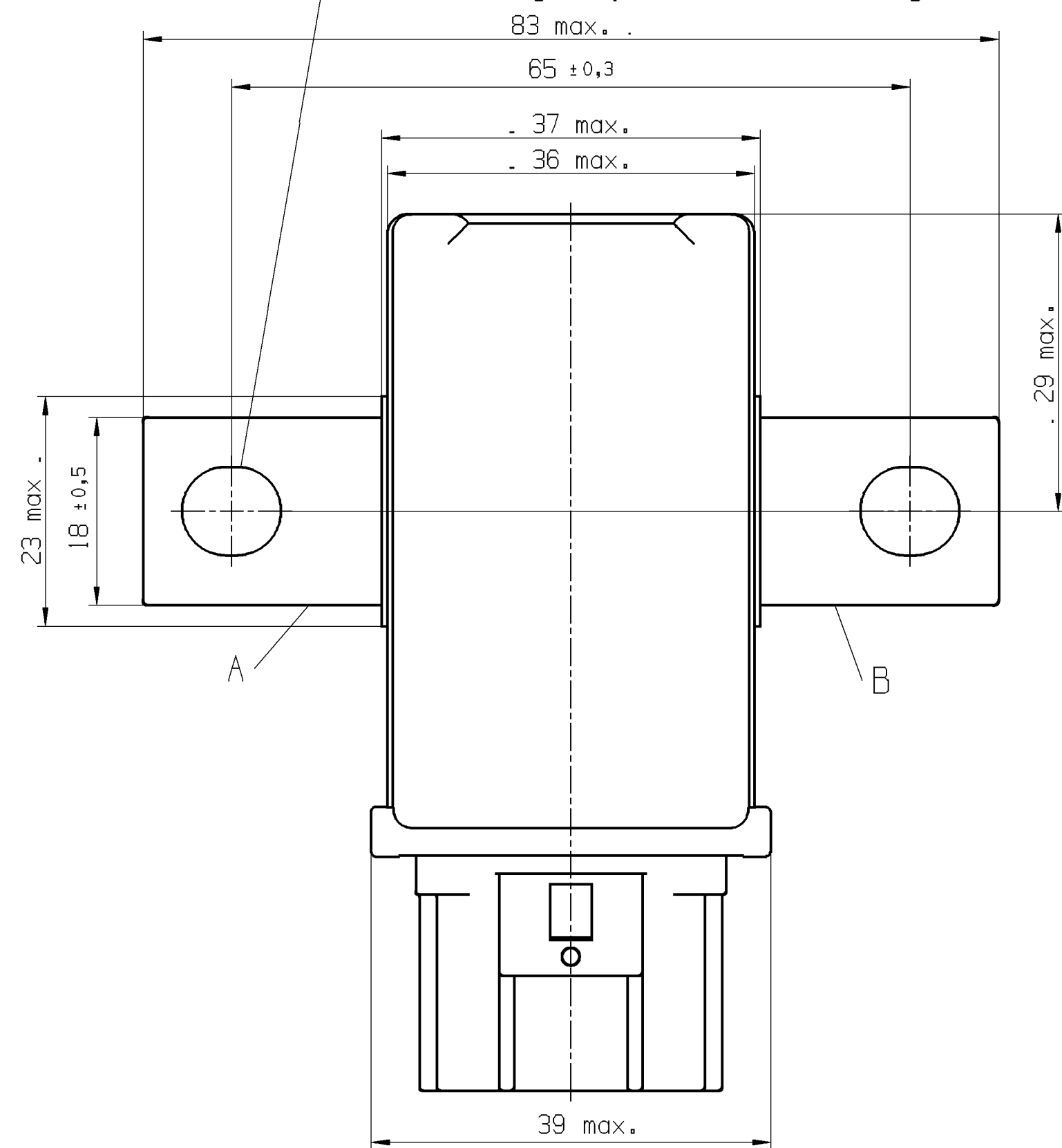
Terminal	Function
4	Set Coil (+)
3	Reset Coil (-)
2	Set Coil (-)
1	Reset Coil (+)
A	Load Terminal
B	Load Terminal

Set = A and B get connected

Mounting Conditions:



Permitted Screwing Torque: 13Nm max.  
This screwing torque will not cause any defect on the relay



Tyco Electronics Part Number  
7-1414778-3

PROPRIETARY THE REPRODUCTION, TRANSMISSION OR USE OF THIS DOCUMENT OR IT'S CONTENTS IS NOT PERMITTED WITHOUT EXPRESSED WRITTEN AUTHORITY. OFFENDERS WILL BE LIABLE FOR ALL DAMAGES. ALL RIGHTS, INCLUDING RIGHTS CREATED BY REGISTERED PATENTS ARE RESERVED.		CHANGES TO THIS DRAWING MUST BE DONE ONLY IN CAD		PAPER SIZE A1
APPLICABLE SPEC. :		FINISH		
DIMENSIONS APPLY		PLATING		SCALE 2:1
TOLERANCE UNLESS SPECIFIED OTHERWISE ISO 8015 ISO 2768-CL		DIMENSIONS IN MM		
DATE 30.11.2007		NAME Th. Hoehnel		PART NAME BDS-A 24V Latching
APP. :		REV. :		PART NO. V23130-C2421-A431
LOCATION Bin P		Tyco Electronics		SHT. 1 OF 1
A Initial	2007-11-30	Thoe	CUSTOMER DRAWING	
REV. CHANGE ORDER	DATE	APP.		