

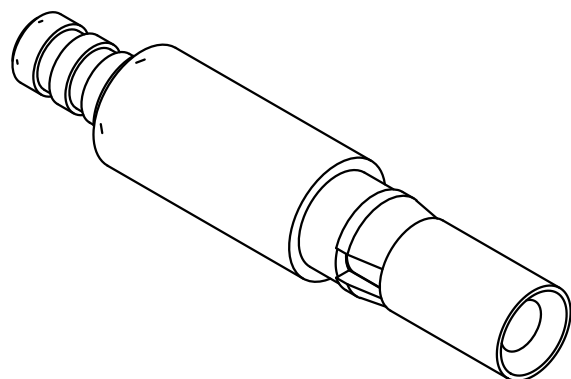
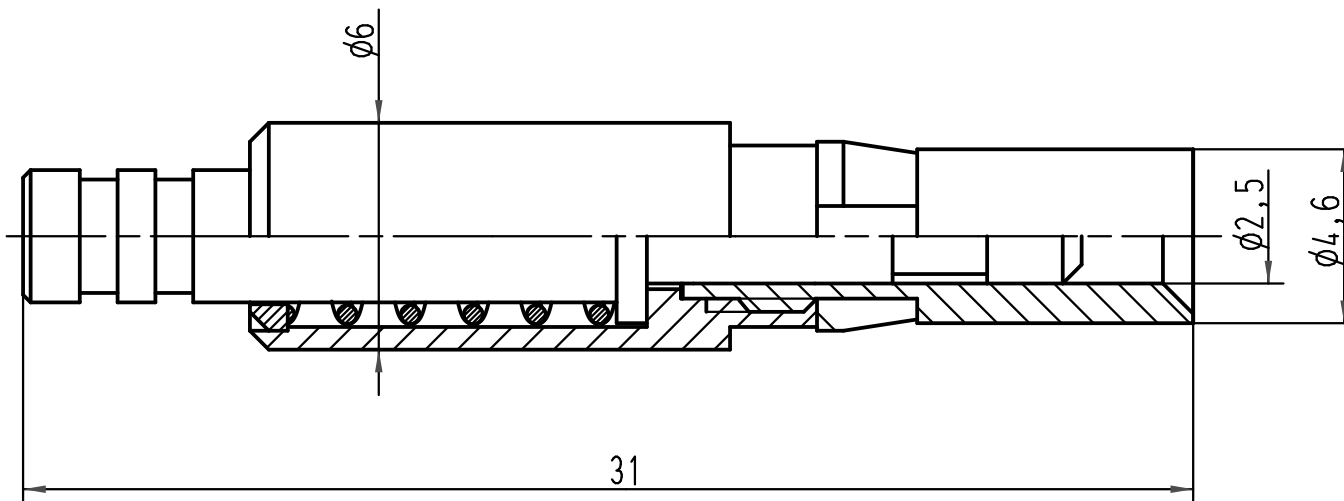
1 2 3 4 5 6

A

B

C

D



| | | | | | | | | |
|---|----------|------|--------------------------------|----------|------|---|---|--|
| All Dimensions in mm Original Size DIN A 4 | | | Techn. Character. | | | Nicht tolerierte Maße/ Free size tolerances | | |
| | | | | Dat. | Name | Maßstab/ Scale 5:1 | Buchsenstecker <i>Female contact</i> 1mm POF | |
| | | | Detail. | 09.03.01 | DY | | | |
| | | | Insp. | | SDT | | | |
| 413686 | 10.03.08 | Pr | Stand. | | | | | |
| 413262 | 10.10.07 | Ho | HARTING Electric GmbH & Co. KG | | | | TB 20 10 001 4221 | |
| 29295 | | | D-32339 Espelkamp | | | | | |
| Mod. | Dat. | Name | | | | Sub. | Blatt/ page | |