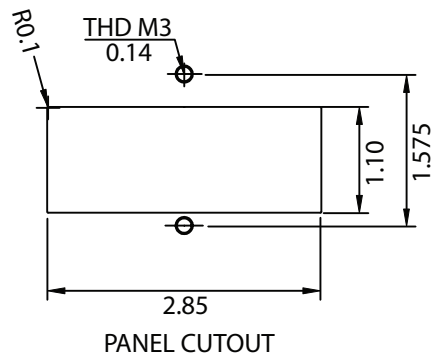
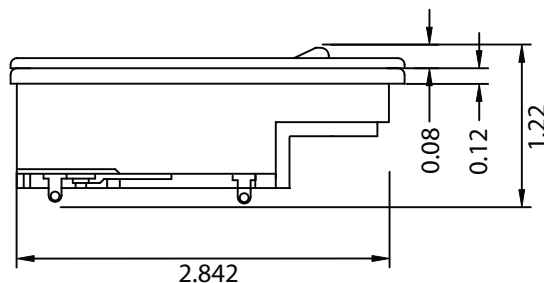
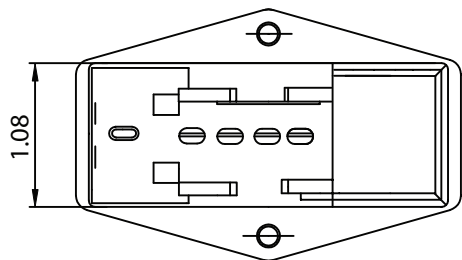
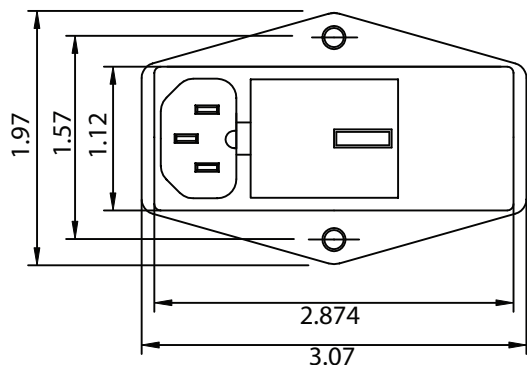


THESE DRAWINGS ARE THE PROPERTY OF QUALTEK ELECTRONICS AND NOT TO BE REPRODUCED FOR OR COMMUNICATED TO A THIRD PARTY WITHOUT THE EXPRESS WRITTEN PERMISSION OF AN OFFICER OF QUALTEK ELECTRONICS.

REVISION			
REV.	DESCRIPTION	DATE	APPROVED
B	RoHS Compliancy	06-01-06	DP



NOTES:

ELECTRICAL CHARACTERISTICS:

RATED CURRENT:

UL / CSA / VDE @ 250 VAC.....10 AMP

VOLTAGE SELECTOR CARD:

100-120 VAC or 200-240 VAC INPUT VOLTAGE
UL / CSA / VDE @ 250.....10 AMP

DOUBLE 5x20mm FUSEHOLDER

SOLDER TAB TERMINALS

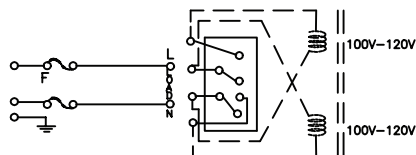
FLAMMABILITY CLASS UL94V-0

PLASTIC CASE

SCREW MOUNT TYPE

RoHS COMPLIANT

ELECTRICAL SCHEMATIC:



CONTROLLED

		Qualtek Electronics Corp. PPC DIVISION		
Dim range (mm)	Tolerance +/- (mm)	Part Number: 764-00/004	RoHS Compliant	
0-1	0.15	Description: MULTI-FUNCTION MODULE		
1-6	0.20		UNIT: in	REV. B
6-18	0.30			
18-50	0.50			
50-120	0.70	Drawn / Date	Checked / Date	Approved / Date
120-250	0.90	S.CHEN 07-27-99	07-27-99	JJH / 07-27-99
250-500	1.20			