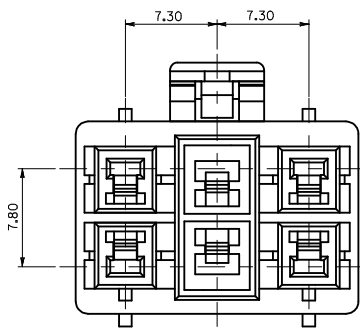
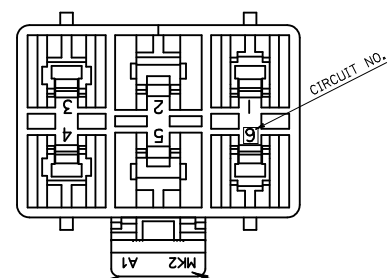


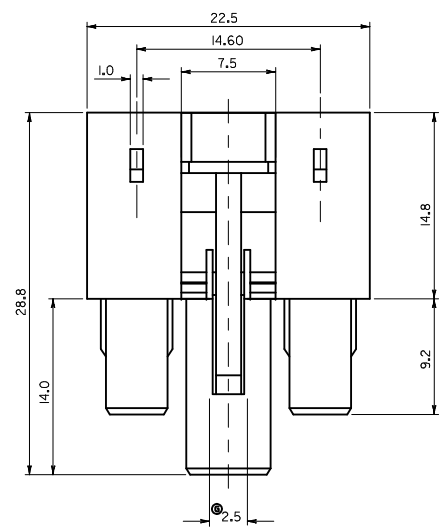
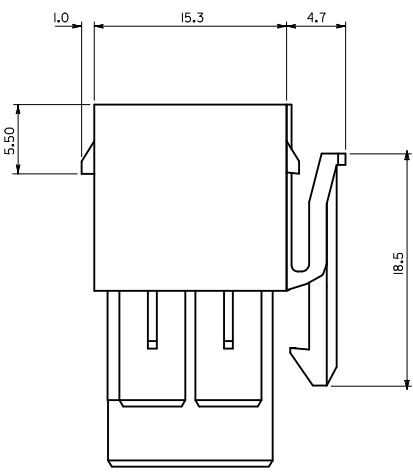
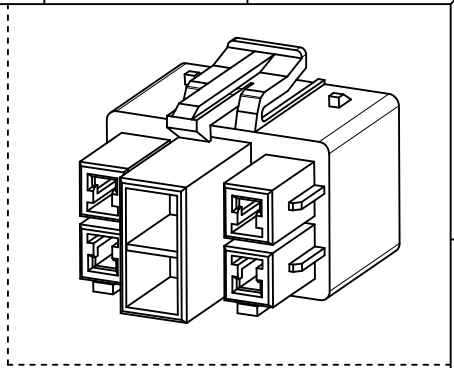
10 9 8 7 6 5 4 3 2 1



VIEW*A



© TOOL & CAVITY NO (TOOL:A.B. CAV:1.2.) TRADE MARK (MK2)



NOTES

- 1. MATERIAL AND COLOR : SEE "TABLE"
- 2. MATED HOUSING : 35150-*60*/35150-*61*
35150-039* (TPA)
- 3. APPLICABLE TERMINAL : 35745-**** (2.5 CIRCUIT)
35746-**** (3.4 CIRCUIT)
©35748-**** (1.6 CIRCUIT)

No.	PRODUCT	MATERIAL
1	35151-0610 NATURAL	POLYESTER PBT (UL94V-0)
2	35151-0612 RED	
3	35151-0614 BLUE	PC/PET (UL94V-0)
4	35151-0619 NATURAL	
5	35151-3619 YELLOW	
6	35151-4619 BLUE	

REVISED EC NO: KOR2010-0179 DRWN: JHPARK01 2010/05/25 CHKD: KSKIM APPR: YSKIM02 2012/02/20	DESCRIPTION REV	QUALITY SYMBOLS	GENERAL TOLERANCES (UNLESS SPECIFIED)	DIMENSION STYLE	SCALE	DESIGN UNITS	THIRD ANGLE PROJECTION	
		▼=0 ∇=0	mm INCH 4 PLACES ± --- ± --- 3 PLACES ± --- ± --- 2 PLACES ± 0.15 ± --- 1 PLACE ± 0.20 ± --- ANGULAR ±1/2°	MM ONLY	1:1	METRIC		
				DRAWN BY: WY.YANG DATE: 1992/09/14 CHECKED BY: BK.CHOI DATE: 1992/09/14 APPROVED BY: DATE:	TITLE	7.3 PITCH W/W FEMALE HOUSING-6P		
				MATERIAL NO. SEE TABLE SIZE A3	DOCUMENT NO. SD-35151-061* SHEET NO. 1 OF 01	MOLEX INCORPORATED THIS DRAWING CONTAINS INFORMATION THAT IS PROPRIETARY TO MOLEX INCORPORATED AND SHOULD NOT BE USED WITHOUT WRITTEN PERMISSION		

9 8 7 6 5 4 3 2 1