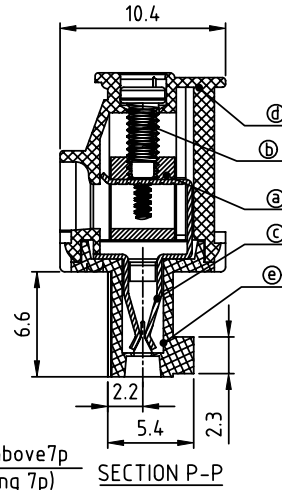
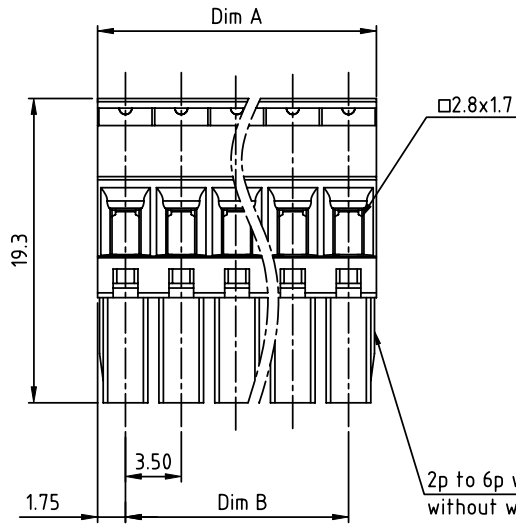
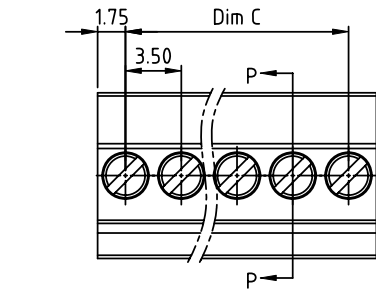


PRODUCT NUMBER	PITCH
TSxx11xB00J0G	3.50 mm



Material

- Item (a) Clamp: Brass (CuZn), Nickel plated
- Item (b) Terminal screw: Steel Zinc plating "-" slot type
- Item (c) Female contact: PhBz, Tin plated
- Item (d) Top body: Thermoplastic (UL94V-0)
- Item (e) Bottom body: Thermoplastic (UL94V-0)

Electrical cULus/VDE

- Voltage rating: 300VAC/300VAC
- Current rating: 8A/10A
- Wire range: 1.5mm<sup>2</sup>
- Solid wire (AWG): 16-28
- Stranded wire (AWG): 16-28
- Torque: 1.7Lb-In./0.2Nm
- Screw: M2
- Wire strip length: 6-7mm
- Withstanding Voltage: 1.6KV/2.5KV
- Operating temperature: -40°C to +115°C
- Safety approval:

DIMENSION

Dim A	NX3.5
Dim B	(N-1)X3.5
Dim C	(N-1)X3.5

N=Number of poles

Poles	Tolerance
2P-8P	±0.10
9P-16P	±0.20
17P-24P	±0.30

PART NO.: TS xx 11 x B 00J0 G

- |              |          |                      |                 |
|--------------|----------|----------------------|-----------------|
|              |          | Color                | RoHS compliant  |
| Solid block  | 0        | Black (RAL9005)      | (lead<4%)       |
| No. of poles | 2        | Red (RAL3001/D)      | In copper Alloy |
| 02           | 2 poles  | 3 Orange (RAL2011/P) |                 |
| 03           | 3 poles  | 4 Yellow (RAL1018/A) |                 |
| ...          | ...      | 5 Green (RAL6018/T)  |                 |
| 24           | 24 poles | 6 Blue (RAL5015/A)   |                 |
|              |          | 8 Grey (RAL7035/D)   |                 |
|              |          | 9 White (RAL1102)    |                 |
|              |          | C Green (RAL6018/U)  |                 |

mat'l. code		surface ASME Y14.5 ✓	tolerance ASME Y14.5	projection 	product family TERMINAL BLOCK	
ltr ecn no dr date		tolerances unless otherwise specified		MM	title TERMINAL BLOCK	
		angles X±1°	X.±0.5 X.X±0.3 X.XX±0.1		scale	PLUGGABLE PLUG, HOOK ON BACK SIDE, WITHOUT FLANGE
		dr	EVIN ZHONG 041814		dwg no	sheet 1 of 1 size
		enr	EVIN ZHONG 041814		TSxx11xB00J0G	A4
		chr	HANKE FENG 041814		type	CUSTOMER Drawing
sheet index	revision	A				
	sheet	1				