



Freescale Semiconductor, Inc.

Freescale Semiconductor, Inc.

M5407C3 User's Manual

M5407C3UM/D
Rev. 1.1, 8/2000



How to Reach Us:

Home Page:

www.freescale.com

E-mail:

support@freescale.com

USA/Europe or Locations Not Listed:

Freescale Semiconductor
 Technical Information Center, CH370
 1300 N. Alma School Road
 Chandler, Arizona 85224
 +1-800-521-6274 or +1-480-768-2130
support@freescale.com

Europe, Middle East, and Africa:

Freescale Halbleiter Deutschland GmbH
 Technical Information Center
 Schatzbogen 7
 81829 Muenchen, Germany
 +44 1296 380 456 (English)
 +46 8 52200080 (English)
 +49 89 92103 559 (German)
 +33 1 69 35 48 48 (French)
support@freescale.com

Japan:

Freescale Semiconductor Japan Ltd.
 Headquarters
 ARCO Tower 15F
 1-8-1, Shimo-Meguro, Meguro-ku,
 Tokyo 153-0064
 Japan
 0120 191014 or +81 3 5437 9125
support.japan@freescale.com

Asia/Pacific:

Freescale Semiconductor Hong Kong Ltd.
 Technical Information Center
 2 Dai King Street
 Tai Po Industrial Estate
 Tai Po, N.T., Hong Kong
 +800 2666 8080
support.asia@freescale.com

For Literature Requests Only:

Freescale Semiconductor Literature Distribution Center
 P.O. Box 5405
 Denver, Colorado 80217
 1-800-441-2447 or 303-675-2140
 Fax: 303-675-2150
LDCForFreescaleSemiconductor@hibbertgroup.com

Information in this document is provided solely to enable system and software implementers to use Freescale Semiconductor products. There are no express or implied copyright licenses granted hereunder to design or fabricate any integrated circuits or integrated circuits based on the information in this document.

Freescale Semiconductor reserves the right to make changes without further notice to any products herein. Freescale Semiconductor makes no warranty, representation or guarantee regarding the suitability of its products for any particular purpose, nor does Freescale Semiconductor assume any liability arising out of the application or use of any product or circuit, and specifically disclaims any and all liability, including without limitation consequential or incidental damages. "Typical" parameters which may be provided in Freescale Semiconductor data sheets and/or specifications can and do vary in different applications and actual performance may vary over time. All operating parameters, including "Typicals" must be validated for each customer application by customer's technical experts. Freescale Semiconductor does not convey any license under its patent rights nor the rights of others. Freescale Semiconductor products are not designed, intended, or authorized for use as components in systems intended for surgical implant into the body, or other applications intended to support or sustain life, or for any other application in which the failure of the Freescale Semiconductor product could create a situation where personal injury or death may occur. Should Buyer purchase or use Freescale Semiconductor products for any such unintended or unauthorized application, Buyer shall indemnify and hold Freescale Semiconductor and its officers, employees, subsidiaries, affiliates, and distributors harmless against all claims, costs, damages, and expenses, and reasonable attorney fees arising out of, directly or indirectly, any claim of personal injury or death associated with such unintended or unauthorized use, even if such claim alleges that Freescale Semiconductor was negligent regarding the design or manufacture of the part.





Freescale Semiconductor, Inc.

LIMITED WARRANTY

Matrix Design warrants this product against defects in material and workmanship for a period of sixty (60) days from the original date of purchase. **This warranty extends to the original customer only and is in lieu of all other warrants, including implied warranties of merchantability and fitness.** In no event will the seller be liable for any incidental or consequential damages. During the warranty period, Matrix Design will replace, at no charge, components that fail, provided the product is returned (properly packed and shipped prepaid) to Matrix Design at address below. Dated proof of purchase (such as a copy of the invoice) must be enclosed with the shipment. We will return the shipment prepaid via UPS.

This warranty does not apply if, in the opinion of Matrix Design, the product has been damaged by accident, misuse, neglect, misapplication, or as a result of service or modification (other than specified in the manual) by others.

Please send the board and cables with a complete description of the problem to:

Matrix Design & Manufacturing, Inc.
2914 Montopolis Drive #290
Austin, TX 78741
Phone: (512) 385-9210
Fax: (512) 385-9224
<http://www.cadreiii.com>



Freescale Semiconductor, Inc.

WARNING

This board generates, uses, and can radiate radio frequency energy and, if not installed properly, may cause interference to radio communications. As temporarily permitted by regulation, it has not been tested for compliance with the limits for class a computing devices pursuant to Subpart J of Part 15 of FCC rules, which are designed to provide reasonable protection against such interference. Operation of this product in a residential area is likely to cause interference, in which case the user, at his/her own expense, will be required to correct the interference.



CONTENTS

Paragraph Number	Title	Page Number
------------------	-------	-------------

Chapter 1 M5407C3 Board

1.1	General Hardware Description	1-1
1.2	System Memory	1-4
1.3	Serial Communication Channels.....	1-4
1.4	Parallel I/O Ports.....	1-4
1.5	Programmable Timer/Counter	1-5
1.6	PCI Controller.....	1-5
1.7	On Board Ethernet	1-5
1.8	System Configuration	1-5
1.9	Installation And Setup.....	1-7
1.9.1	Unpacking.....	1-7
1.9.2	Preparing the Board for Use	1-7
1.9.3	Providing Power to the Board.....	1-8
1.9.4	Selecting Terminal Baud Rate	1-8
1.9.5	The Terminal Character Format	1-8
1.9.6	Connecting the Terminal	1-8
1.9.7	Using a Personal Computer as a Terminal.....	1-8
1.10	System Power-up and Initial Operation.....	1-11
1.11	M5407C3 Jumper Setup	1-11
1.12	Using The BDM Port	1-13

Chapter 2 Using the Monitor/Debug Firmware

2.1	What Is dBUG?.....	2-1
2.2	Operational Procedure	2-3
2.2.1	System Power-up	2-3
2.2.2	System Initialization	2-4
2.2.2.1	Hard RESET Button.	2-5
2.2.2.2	ABORT Button.	2-5

Freescale Semiconductor, Inc.

CONTENTS

Paragraph Number	Title	Page Number
2.5	TRAP #15 Functions	2-39
2.5.1	OUT_CHAR	2-39
2.5.2	IN_CHAR	2-39
2.5.3	CHAR_PRESENT	2-40
2.5.4	EXIT_TO_dBUG.....	2-40

Chapter 3 Hardware Description and Reconfiguration

3.1	The Processor and Support Logic	3-1
3.1.1	Processor	3-1
3.1.2	Reset Logic	3-1
3.1.3	HIZ Signal.....	3-2
3.1.4	Clock Circuitry	3-2
3.1.5	Watchdog Timer	3-2
3.1.6	Interrupt Sources.....	3-2
3.1.7	Internal SRAM.....	3-3
3.1.8	The MCF5407 Registers and Memory Map	3-4
3.1.9	Reset Vector Mapping	3-5
3.1.10	TA Generation	3-5
3.1.11	Wait State Generator.....	3-6
3.1.12	SDRAM DIMM.....	3-6
3.1.13	Flash ROM.....	3-7
3.1.14	JP15 Jumper and User's Program.....	3-7
3.2	Serial Communication Channels.....	3-7
3.2.1	MCF5407 UARTs.....	3-7
3.2.2	I2C Module	3-8
3.3	Real-Time Clock.....	3-8
3.4	Parallel I/O Port	3-8
3.5	On-Board Ethernet Logic.....	3-8
3.6	Connectors and Expansion Bus	3-11
3.6.1	Expansion Connectors - J1 and J2	3-11
3.6.2	The Debug Connector J5	3-13

Appendix A Configuring dBUG for Network Downloads

Appendix B ColdFire to ISA, IRQ7 and Reset Logic Abel Code

Appendix C



CONTENTS

**Paragraph
Number**

Title

**Page
Number**

SDRAM MUX PAL Equation

**Appendix D
Evaluation Board BOM**

Appendix E Schematics

**Appendix F
Errata**



CONTENTS

**Paragraph
Number**

Title

**Page
Number**

Freescale Semiconductor, Inc.



ILLUSTRATIONS

Figure Number	Title	Page Number
1-1	5407 Block Diagram	1-3
1-2	Minimum System Configuration	1-6
1-3	Pin assignment for female P4 (Terminal) connector.	1-9
1-4	Jumper Locations	1-10
2-1	Flow Diagram of dBUG Operational Mode.	2-4
3-1	The J5 Connector pin assignment	3-14

Freescale Semiconductor, Inc.



ILLUSTRATIONS

**Figure
Number**

Title

**Page
Number**

Freescale Semiconductor, Inc.



TABLES

Table Number	Title	Page Number
1-1	Power Supply Connections	1-8
1-2	Jumper Settings	1-11
1-3	Jumper Settings	1-13
1-4	Jumper Settings	1-13
2-1	dBUG Command Summary	2-7
3-1	The M5407C3 Memory Map	3-5
3-2	J1 Connector Pin Assignment	3-11
3-3	J2 Connector pin assignment	3-12
D-1	MCF5407EVM_BOM	D-1

Freescale Semiconductor, Inc.



TABLES

**Table
Number**

Title

**Page
Number**

Freescale Semiconductor, Inc.

Chapter 1

M5407C3 Board

The M5407C3 is a versatile single board computer based on MCF5407 ColdFire® Processor. It may be used as a powerful microprocessor based controller in a variety of applications. With the addition of a terminal, it serves as a complete microcomputer for reference, development/evaluation, training and educational use. The user need only connect an RS-232 compatible terminal (or a personal computer with terminal emulation software) and power supply to have a fully functional system.

Provisions have been made to connect this board to additional user supplied peripherals, via the Microprocessor Expansion Bus connectors, to expand memory and I/O capabilities. Additional peripherals may require bus buffers to minimize additional bus loading.

Furthermore, provisions have been made in the PC-board to permit configuration of the board in a way, which best suits, an application. Options available are: upgrade to 512MBytes SDRAM, 512K SRAM, and commercially available slave PCI devices.

1.1 General Hardware Description

The M5407C3 board provides the RAM, Flash ROM, on board NE2000 compatible Ethernet interface (10M bit/sec), RS232, and all the built-in I/O functions of the MCF5407 for learning and evaluating the attributes of the microprocessor. The MCF5407 is a member of the ColdFire® family of processors. It is a 32-bit processor with 32-bit of address bus and 32 lines of data. The processor has eight 32-bit data registers, eight 32-bit address registers, a 32-bit program counter, and a 16-bit status register.

The MCF5407 has a System Integration Module referred to as the SIM. The module incorporates many of the functions needed for system design. These include programmable chip-select logic, System Protection logic, General purpose I/O, and Interrupt controller logic. The chip-select logic can select up to eight memory banks and peripherals in addition to two banks of DRAM's. The chip-select logic also allows programmable number of wait-states to allow the use of slower memory (refer to *MCF5407 User's Manual* by Freescale for detailed information about the SIM.). The M5407C3 uses four (CS[3:0]) of the eight chip selects to access the Flash ROM's (CS0), PCI bridge chip (CS1), SRAM



to the user.

The M5407C3 will work with most PC100 SDRAM DIMMs with a few exceptions. The MCF5407 supports up to two banks of SDRAM, but double-sided DIMMs require 4 bank selects to access all of the chips. Therefore when using double-sided DIMMs only half of the available memory will be accessible. Since DIMMs are manufactured primarily for use in PCs the DQM signals on some DIMMS are routed so that the SDRAM can only be accessed correctly as a 64-bit port so the M5407C3 will not be able to access the SDRAM correctly.

Figure 1-1 shows the 5407 block diagram.

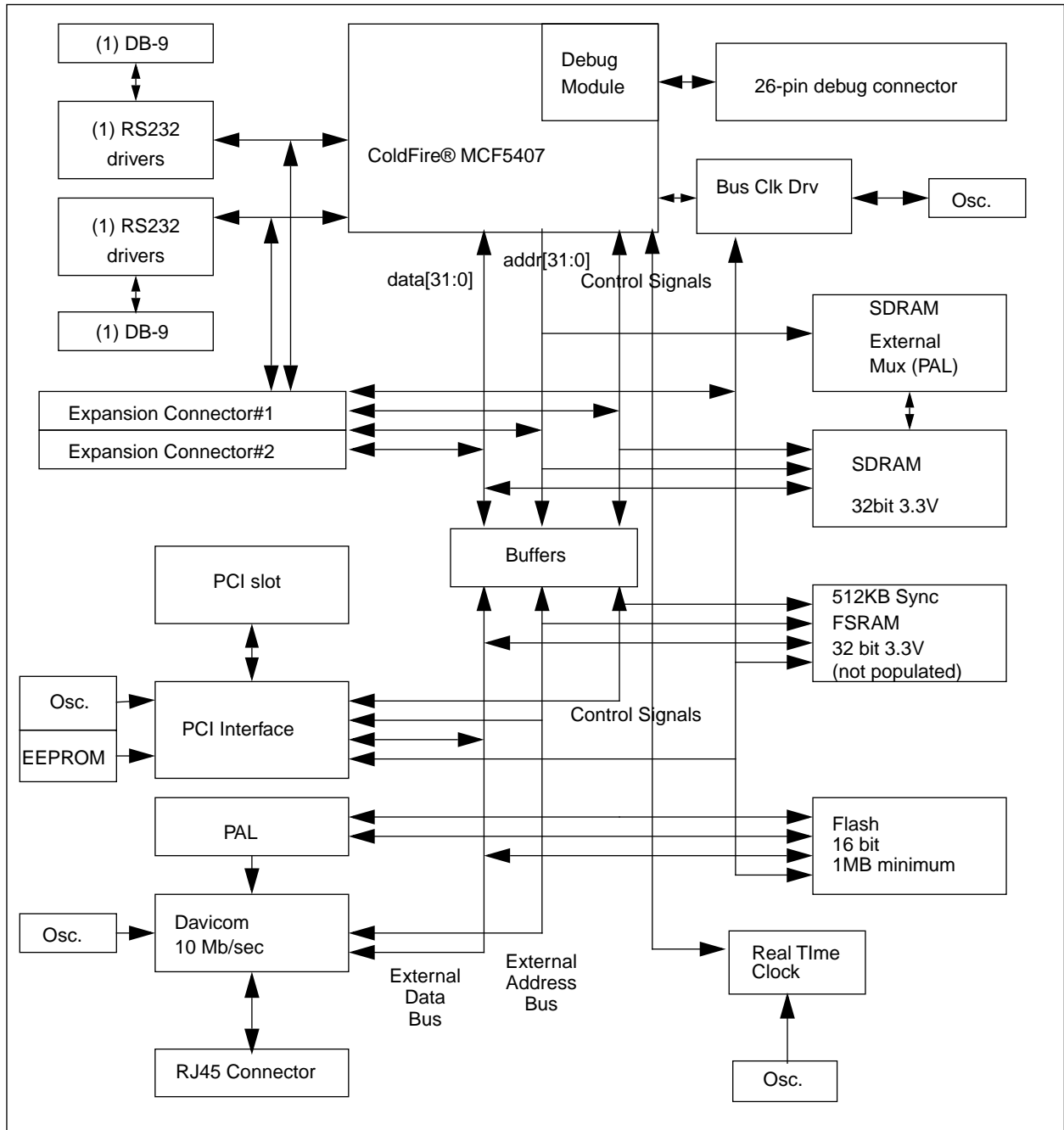


Figure 1-1. 5407 Block Diagram

1.2 System Memory

One on board Flash ROM (U12) is used to store the M5407C3 dBUG debugger/monitor firmware in the lower 128 KBytes. The AM29PL160C-XX device is 16Mbits (16 bit by 1 MByte) giving a total of 2MBytes of Flash memory.

The PCI bridge chip provides the interface to the Universal 32-bit PCI on board connector allowing the user to experiment and develop new applications to commercially available slave PCI based peripherals products.

The MCF5407 has 4KBytes of internal SRAM organized as two independently configurable 2 Kbyte blocks. each block can be configured for either data or instruction space.

There is one 168-pin DIMM socket for SDRAM. System ships with 1M x 8 Bank x 16-Bits SDRAM totaling 16M of volatile memory. Various SDRAM configurations are supported.

The internal caches of the MCF5407 are non-blocking. The data cache is 8 KByte, 4-way set-associative with a 16-byte line size. The instruction cache is 16 KBytes, 4-way set-associative with a 16-byte line size. The ROM Monitor currently does not utilize the caches, but programs downloaded with the ROM Monitor can use the cache.

The M5407C3 evaluation board has a foot print for 512 KByte SRAM but is unpopulated.

1.3 Serial Communication Channels

The MCF5407 has 2 built-in UART's (UART0 and UART1) with independent baud rate generators. The signals of both channels are passed through external Driver/Receivers to make the channel compatible with RS-232. An RS232 serial cable with DB9 connectors is included. UART0 (P4) is used by the debugger for the user to access with a terminal. In addition, the signals of both channels are available on the 120 pin expansion connector J2. UART0 channel is the "TERMINAL" channel used by the debugger for communication with external terminal/PC. The "TERMINAL" baud rate defaults to 19200.

1.4 Parallel I/O Ports

MCF5407 offers one 16-bit general-purpose parallel I/O port. Each pin can be individually programmed as input or output. The parallel port bits PP[7:0] are multiplexed with TT[1:0], TM[2:0], DREQ[1:0], and XTIP. The second set of parallel port bits PP[15:8] is multiplexed with address bus bits A[31:24]. Both bytes of the parallel port are controlled by the Pin Assignment Register (PAR). The pins are programmable on a pin by pin basis. The setting of the multiplexed pins is determined by the configuration byte during reset. After reset, PP[7:0] are configured as parallel port output pins and the PP[15:8] are configured as A[31:24]. PP[7:4] are general purpose outputs and PP[3:0] are used by the ROM Monitor to automatically configure the SDRAM address lines via the U27 mux.

1.5 Programmable Timer/Counter

The MCF5407 has two built in general purpose timer/counters. These timers are available to the user. The signals for each timer are available on the 120 pin expansion connector J2.

1.6 PCI Controller

The MCF5407 connects to the PCI controller (U17) via the PCI host interface. The PCI controller is configured for master mode. U18 contains the arbitration logic for the PCI bus. This logic is such that the PCI controller (U17) defaults to allowing the 5407 bus mastership. A PCI card wishing to arbitrate the bus away from the controller must use signal REQ# to request the bus. U18 will then arbitrate the bus away from U17 and assert GNT# to the PCI card to show that the card has been granted the bus. Similarly the controller can arbitrate the bus back using signals /REQ and /GNT. By default the controller currently has priority over the card in the equations in U18, if the user wanted to alter this priority they could do so by editing file "ISA5407.abl" available on the ColdFire website (www.mot.com/coldfire).

1.7 On Board Ethernet

The M5407C3 has an on board Ethernet (NE2000 compatible controller) operating at 10M bits/sec. The on board dBUG ROM monitor is programmed to allow a user to download files from a network to memory in different formats. The current compiler formats supported are S-Record, COFF, ELF, or Image. Refer to Appendix A for details on how to configure.

1.8 System Configuration

The M5407C3 board requires only the following items for minimum system configuration:

- The M5407C3 board (provided).
- Power supply, 7V to 14V DC with minimum of 1.0 Amp.
- RS-232C compatible terminal or a PC with terminal emulation software.
- RS-232 Communication cable (provided).

Refer to Section 2.2.2, "System Initialization" for initial setup.

Figure 1-2 displays minimum system configuration.

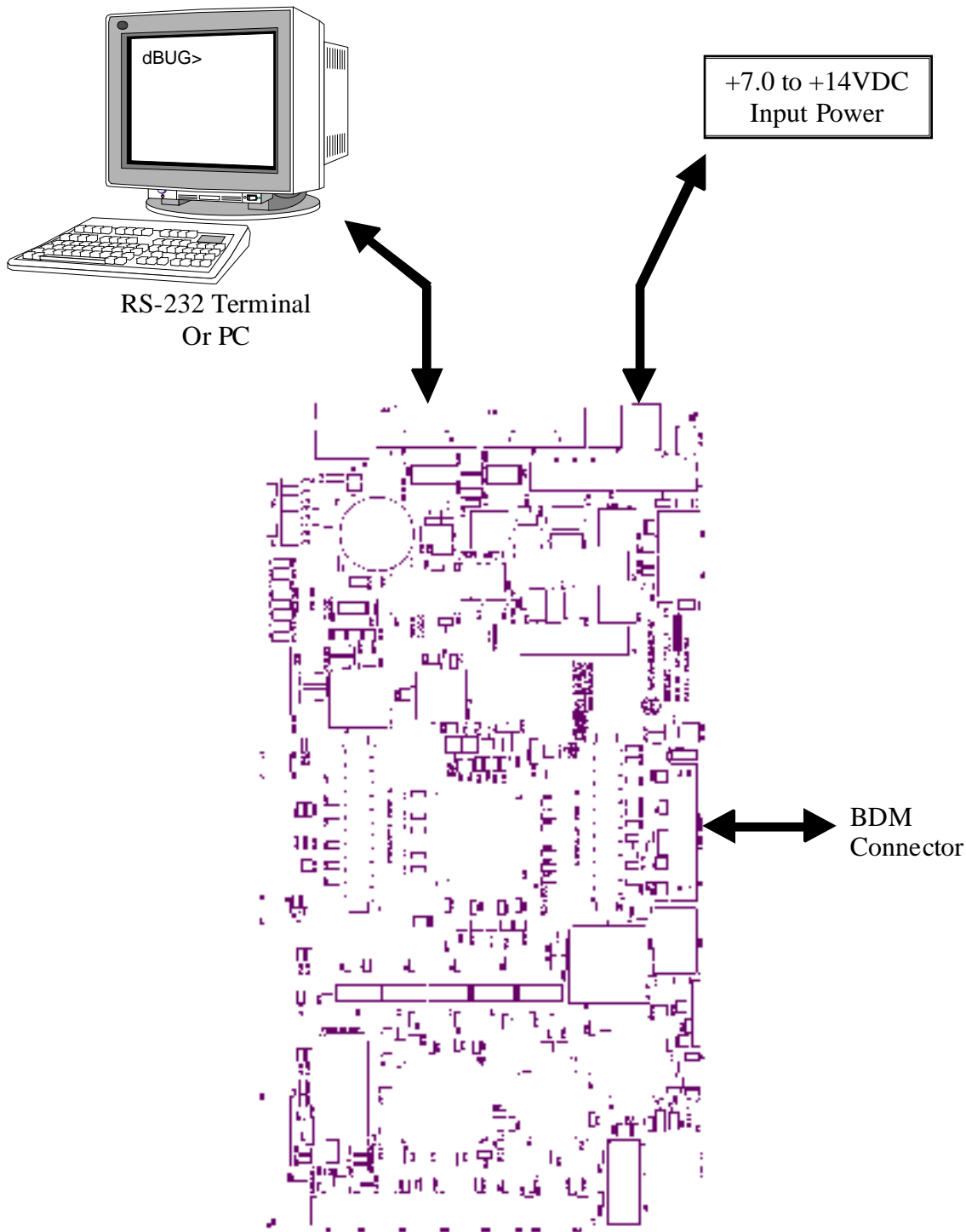


Figure 1-2. Minimum System Configuration

1.9 Installation And Setup

The following sections describe all the steps needed to prepare the board for operation. Please read the following sections carefully before using the board. When you are preparing the board for the first time, be sure to check that all jumpers are in the default locations. Default marking are on the board next to the individual jumpers and a master jumper table is on the underside of the board. After the board is functional in its default mode, you may use the Ethernet by following the instructions provided in Appendix A.

1.9.1 Unpacking

Unpack the computer board from its shipping box. Save the box for storing or reshipping. Refer to the following list and verify that all the items are present. You should have received:

- M5407C3 Single Board Computer
- M5407C3 User's Manual, this documentation
- One RS-232 communication cable
- One debug wiggler cable
- Programmers Reference Manual
- A selection of Third Party Developer Tools and Literature

NOTE:

Avoid touching the mos devices. Static discharge can and will damage these devices.

Once you verified that all the items are present, remove the board from its protective jacket. Check the board for any visible damage. Ensure that there are no broken, damaged, or missing parts. If you have not received all the items listed above or they are damaged, please contact Matrix Design immediately.

1.9.2 Preparing the Board for Use

The board as shipped is ready to be connected to a terminal and the power supply without any need for modification. However, follow the steps below to insure proper operation from the first time you apply the power. Figure 3 Jumper Table and Locations shows the placement of the jumpers and the connectors, which you need to refer to in the following sections. The steps to be taken are:

- a) Connecting the power supply.
- b) Connecting the terminal.

1.9.3 Providing Power to the Board

The board accepts two means of power supply connections. Connector P6 is a 2.1mm power jack and P3 lever actuated connector. The board accepts 7V to 14V DC at 1.5 Amp via either one of the connectors.

Table 1-1. Power Supply Connections

Contact Number	Voltage
1	+7–14V DC
2	Ground

1.9.4 Selecting Terminal Baud Rate

The serial channel of MCF5407 which is used for serial communication has a built in timer used by the dBUG ROM monitor to generate the baud rate used to communicate with a terminal.. It can be programmed to a number of baud rates. After the power-up or a manual RESET, the dBUG ROM monitor firmware configures the channel for 19200 baud. After the dBUG ROM monitor is running, you may issue the SET command to choose any baud rate supported by the dBUG ROM monitor. Refer to Chapter 2 for the discussion of this command.

1.9.5 The Terminal Character Format

The character format of the communication channel is fixed at the power-up or RESET. The character format is 8 bits per character, no parity, and one stop bit. You need to insure that your terminal or PC is set to this format.

1.9.6 Connecting the Terminal

The board is now ready to be connected to a terminal. Use the RS-232 male/female DB-9 serial cable to connect the PC to the M5407C3. The cable has a 9-pin female D-sub terminal connector at one end and a 9-pin male D-sub connector at the other end. Connect the 9-pin male connector to P4 connector on M5407C3. Connect the 9-pin female connector to one of the available serial communication channels normally referred to as COM1 (COM2, etc.) on the IBM PC's or compatible. Depending on the kind of serial connector on the back of your PC, the connector on your PC may be a male 25-pin or 9-pin. You may need to obtain a 9-pin-to-25-pin adapter to make the connection. If you need to build an adapter, refer to Figure 2 which shows the pin assignment for the 9-pin connector on the board.

1.9.7 Using a Personal Computer as a Terminal

You may use your personal computer as a terminal provided you also have a terminal emulation software such as PROCOMM, KERMIT, QMODEM, Windows 95/98/2000

Hyper Terminal or similar packages. Then connect as described in 1.9.6, “Connecting the Terminal.”

Once the connection to the PC is made, you are ready to power-up the PC and run the terminal emulation software. When you are in the terminal mode, you need to select the baud rate and the character format for the channel. Most terminal emulation software packages provide a command known as "Alt-p" (press the p key while pressing the Alt key) to choose the baud rate and character format. Make sure you select 8 bits, no parity, one stop bit, see section The Terminal Character Format. Then, select the baud rate as 19200. Now you are ready to apply power to the board.

Figure 1-3 shows pin assignments for female terminal connector.

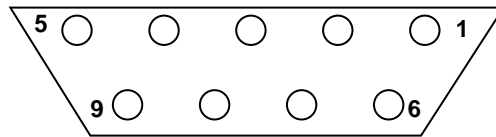


Figure 1-3. Pin assignment for female P4 (Terminal) connector.

Pin assignments are as follows.

1. Data Carrier Detect, Output (shorted to pins 4 and 6).
2. Receive Data, Output from board (receive refers to terminal side).
3. Transmit Data, Input to board (transmit refers to terminal side).
4. Data Terminal Ready, input (shorted to pin 1 and 6).
5. Signal Ground.
6. Data Set Ready, Output (shorted to pins 1 and 4).
7. Request to Send, input.
8. Clear to send, output.
9. Not connected.

Figure 1-4 shows jumper locations.

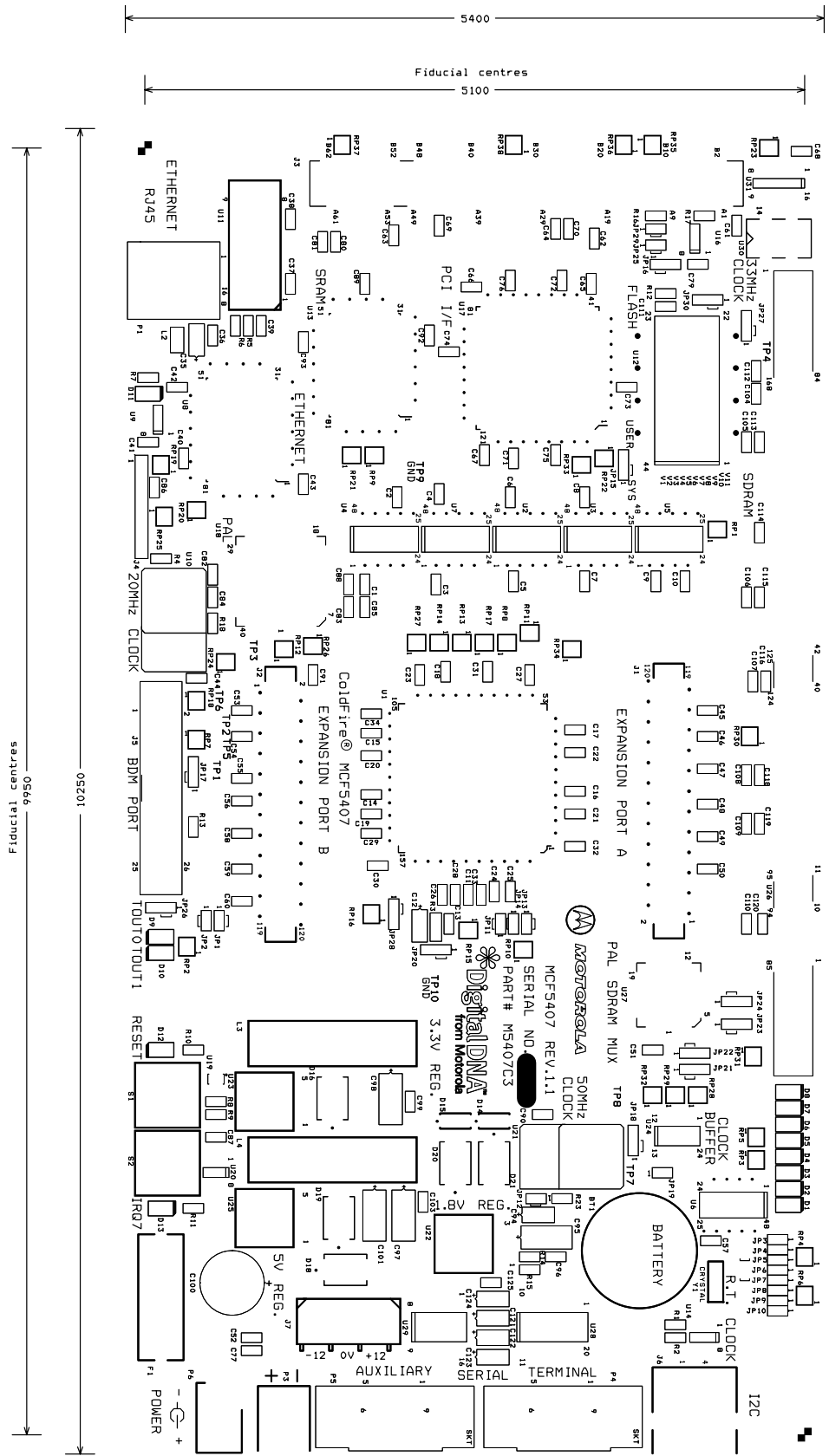


Figure 1-4. Jumper Locations

1.10 System Power-up and Initial Operation

Now that you have connected all the cables, you may apply power to the board. After power is applied, the dBUG initializes the board then displays the power-up message on the terminal, which includes the amount of memory present.

```
Hard Reset
DRAM Size: 32M
```

```
Copyright 1995-2000 Motorola, Inc. All Rights Reserved.
ColdFire MCF5407 EVS Firmware v2e.1a.1a (Build XXX on XXX XX 20XX
17:27:52)
```

```
Enter 'help' for help.
```

```
dBUG>
```

The board is now ready for operation under the control of the debugger as described in Chapter 2. If you do not get the above response, perform the following checks:

1. Make sure that the power supply is properly configured for polarity, voltage level, and current capability (~1A) and is connected to the board.
2. Check that the terminal and board are set for the same character format and baud.
3. Press the RESET button to insure that the board has been initialized properly.

If dBUG does not come up try removing power from the board and then powering up the board with the SDRAM DIMM removed. The LEDs (D1-D8) should flash indicating that there is a problem with the serial cable, terminal, or SDRAM jumpers.

If you still are not receiving the proper response, your board may have been damaged in shipping. Contact Matrix Design for further instructions.

1.11 M5407C3 Jumper Setup

Jumper settings are as follows:

Note '*' is used to indicate that default setting.

'**' is used to indicate mandatory setting for proper operation.

Table 1-2. Jumper Settings

Jumper		Function
JP1	* ON	LED D10 driven by TOUT0
	OFF	LED D10 NOT driven by TOUT0
JP2	* ON	LED D9 driven by TOUT1

Table 1-2. Jumper Settings (Continued)

Jumper		Function
On/On/x	Reserved	---
On/Off/On	Reserved	---
On/Off/Off	*1/3	40.0–54.0/120.0–162 MHz
Off/On/On	1/4	25.0–40.5/100.0–162 MHz
Off/On/Off	1/5	25.0–32.4/125.0–162 MHz
Off/Off/On	1/6	25.0–27.0/150.0–162 MHz
Off/Off/Off	Reserved	---
JP6/D[3]/ BE[3:0] CONF	ON / 0	BE[3:0] is enabled as byte write enables only
	* OFF / 1	BE[3:0] is enabled as byte enables for reads & write
JP7/D[4]/ ADDR_CONF	ON / 0	PP[15:0], defaulted to inputs upon reset
	* OFF / 1	ADDR[31:24]/TIP/DREQ[1:0]/TM[2:1]
JP9/D[6]/PS1	JP8/D[5]/PS0	Boot CS0 Port Size at Reset
ON / 0	ON / 0	32-bit Port
ON / 0	OFF / 1	8-bit Port
OFF / 1	ON / 0	16-bit Port
* OFF / 1	* OFF / 1	16-bit Port
JP10/D[7]/AA	ON / 0	Boot CS0 Auto Acknowledge (AA) DISABLED
	* OFF / 1	Boot CS AA Enabled with 15 wait states
JP11	* ON	EVCC (+3.3V) Power to ColdFire MCF5407 I/O
JP12	** ON	IVCC (+1.8V) Power to ColdFire MCF5407 core
JP13	* ON	Pull up enabled on !DREQ1 / PP[5]
JP14	* ON	Pull up enabled on !DREQ0 / PP[6]
JP15	* 1-2	Boot ROM Monitor from Flash
	2-3	Boot User Code from user Flash Space
JP16	* 1-2	Enable writes to PCI EEPROM ¹
	2-3	Disable writes to PCI EEPROM ¹
JP17	* 1-2	+3.3 V to J5 Debug Header Pin 9
	2-3	+1.8 V to J5 Debug Header Pin 9
JP18	** 1-2	Default Clocking
	2-3	Alternate Clocking
JP19	** OFF	Default Clocking
	ON	Alternate Clocking
JP20	** 1-2	Default Core Power (+1.8V)
	2-3	Alternate Core Power (+3.3V)

¹ JP16 functionality is opposite that of the silkscreen. The table is correct.

Table 1-3. Jumper Settings

JP21	JP22	JP23	JP24	Function
* 1-2	* 1-2	* 1-2	* 1-2	Driven by PP[3:0]
2-3	2-3	2-3	2-3	8 col, 11 row
OFF	2-3	2-3	2-3	9 col, 11 row
2-3	OFF	2-3	2-3	10 col, 11 row
OFF	OFF	2-3	2-3	8 col, 12 row
2-3	2-3	OFF	2-3	9 col, 12 row
OFF	2-3	OFF	2-3	10 col, 12 row
2-3	OFF	OFF	2-3	11 col, 12 row
OFF	OFF	OFF	2-3	8 col, 13 row
2-3	2-3	2-3	OFF	9 col, 13 row
OFF	2-3	2-3	OFF	10 col, 13 row
2-3	OFF	2-3	OFF	11 col, 13 row

Table 1-4. Jumper Settings

Jumper		Function
JP25 ¹	*ON	Enable serial clock SCL to PCI EEPROM
JP26	* 1-2	+3.3 V to J5 Debug Header Pin 25
	2-3	+1.8 V to J5 Debug Header Pin 25
JP27	* 1-2	ColdFire CS1 used on PCI !SELECT
	2-3	ColdFire !A31 used on PCI !SELECT
JP28	* 1-2	ColdFire Normal/BDM Mode
	2-3	ColdFire Normal/JTAG Mode
JP29 ¹	*ON	Enable serial data SDA to PCI EEPROM
JP30	* 1-2	STROBE signal on PCI controller tied to GND
	2-3	STROBE signal on PCI controller tied to !TS

¹ The settings for JP25 and JP29 differ from those given on the back of the silkscreen. The settings listed in this table are correct.

1.12 Using The BDM Port

The MCF5407 has a built in debug mechanism referred to as BDM (background debug module). The M5407C3 has the Freescale defined debug module connector, J5, to facilitate this connection.



In order to use the BDM, simply connect the 26-pin connector at the end of the BDM wiggler cable provided Freescale from P&E Microcomputer Systems to the J5 connector. No special setting is needed. Refer to the ColdFire® User's Manual BDM Section for additional instructions.

NOTE:

BDM functionality and use is supported via third party developer software and hardware tools.

Chapter 2

Using the Monitor/Debug Firmware

The M5407C3 single board computer has a resident firmware package that provides a self-contained programming and operating environment. The firmware, named dBUG, provides the user with monitor/debug interface, inline assembler and disassembly, program download, register and memory manipulation, and I/O control functions. This Chapter is a how-to-use description of the dBUG package, including the user interface and command structure.

2.1 What Is dBUG?

dBUG is a traditional ROM monitor/debugger that offers a comfortable and intuitive command line interface that can be used to download and execute code. It contains all the primary features needed in a debugger to create a useful debugging environment.

dBUG is a resident firmware package for the ColdFire® family single board computers. The firmware (stored in one 1Mx16 Flash ROM device) provides a self-contained programming and operating environment. dBUG interacts with the user through pre-defined commands that are entered via the terminal. These commands are defined in Section 2.4, “Commands.”

The user interface to dBUG is the command line. A number of features have been implemented to achieve an easy and intuitive command line interface.

dBUG assumes that an 80x24 character dumb-terminal is utilized to connect to the debugger. For serial communications, dBUG requires eight data bits, no parity, and one stop bit, 8N1. The default baud rate is 19200 but can be changed after the power-up.

The command line prompt is “dBUG> “. Any dBUG command may be entered from this prompt. dBUG does not allow command lines to exceed 80 characters. Wherever possible, dBUG displays data in 80 columns or less. dBUG echoes each character as it is typed, eliminating the need for any “local echo” on the terminal side.

In general, dBUG is not case sensitive. Commands may be entered either in upper or lower case, depending upon the user’s equipment and preference. Only symbol names require

What Is dBUG?

Most commands can be recognized by using an abbreviated name. For instance, entering “h” is the same as entering “help”. Thus, it is not necessary to type the entire command name.

The commands DI, GO, MD, STEP and TRACE are used repeatedly when debugging. dBUG recognizes this and allows for repeated execution of these commands with minimal typing. After a command is entered, simply press <RETURN> or <ENTER> to invoke the command again. The command is executed as if no command line parameters were provided.

An additional function called the "TRAP 15 handler" allows the user program to utilize various routines within dBUG. The TRAP 15 handler is discussed at the end of this chapter.

The operational mode of dBUG is demonstrated in Figure 2-1. After the system initialization, the board waits for a command-line input from the user terminal. When a proper command is entered, the operation continues in one of the two basic modes. If the command causes execution of the user program, the dBUG firmware may or may not be re-entered, depending on the discretion of the user. For the alternate case, the command will be executed under control of the dBUG firmware, and after command completion, the system returns to command entry mode.

During command execution, additional user input may be required depending on the command function.

For commands that accept an optional <width> to modify the memory access size, the valid values are:

- B8-bit (byte) access
- W16-bit (word) access
- L32-bit (long) access

When no <width> option is provided, the default width is .W, 16-bit.

The core ColdFire® register set is maintained by dBUG. These are listed below:

- A0-A7
- D0-D7
- PC
- SR

All control registers on ColdFire® are not readable by the supervisor-programming model, and thus not accessible via dBUG. User code may change these registers, but caution must be exercised as changes may render dBUG inoperable.

A reference to “SP” (stack pointer) actually refers to general purpose address register seven, “A7.”

2.2 Operational Procedure

System power-up and initial operation are described in detail in Chapter 1. This information is repeated here for convenience and to prevent possible damage.

2.2.1 System Power-up

- Be sure the power supply is connected properly prior to power-up.
- Make sure the terminal is connected to TERMINAL (P4) connector.
- Turn power on to the board.

Figur 2-1 shows the dUBG operational mode.

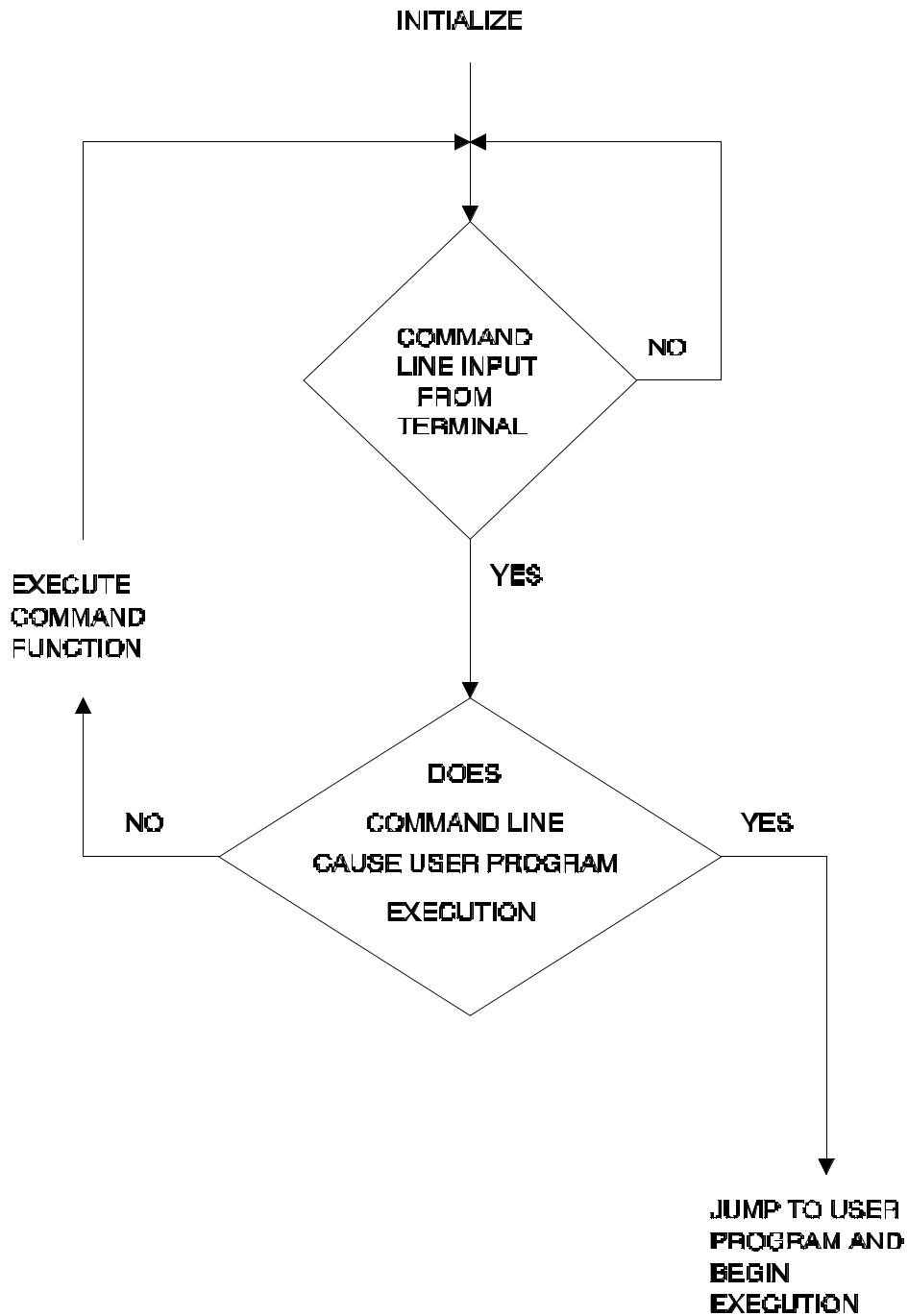


Figure 2-1. Flow Diagram of dBUG Operational Mode.

2.2.2 System Initialization

The act of powering up the board will initialize the system. The processor is reset and dBUG is invoked.

dBUG performs the following configurations of internal resources during the initialization.

The instruction cache is invalidated and disabled. The Vector Base Register, VBR, points to the Flash. However, a copy of the exception table is made at address \$00000000 in SDRAM. To take over an exception vector, the user places the address of the exception handler in the appropriate vector in the vector table located at 0x00000000, and then points the VBR to 0x00000000.

The Software Watchdog Timer is disabled and internal timers are placed in a stop condition. Interrupt controller registers initialized with unique interrupt level/priority pairs. Please refer to the dBUG source files on the ColdFire website (www.freescale.com/coldfire) for the complete initialization code sequence.

After initialization, the terminal will display:

```
Hard Reset  
DRAM Size: 32M
```

```
Copyright 1995-2000 Motorola, Inc. All Rights Reserved.  
ColdFire MCF5407 EVS Firmware v2e.1a.1a (Build XXX on XXX XX 20XX  
17:27:52)
```

```
Enter 'help' for help.
```

```
dBUG>
```

If you did not get this response check the setup. Refer to Section 1.10 System Power-Up and Initial Operation. Note the date 'xxx 199x xx:xx:xx' may vary in different revisions.

Other means can be used to re-initialize the M5407C3 Computer Board firmware. These means are discussed in the following paragraphs.

2.2.2.1 Hard RESET Button.

Hard RESET (S1) is the button. Depressing this button causes all processes to terminate, resets the MCF5407 processor and board logic and restarts the dBUG firmware. Pressing the RESET button would be the appropriate action if all else fails.

2.2.2.2 ABORT Button.

ABORT (S2) is the button located next to RESET button. The abort function causes an interrupt of the present processing (a level 7 interrupt on MCF5407) and gives control to the dBUG firmware. This action differs from RESET in that no processor register or memory contents are changed, the processor and peripherals are not reset, and dBUG is not restarted. Also, in response to depressing the ABORT button, the contents of the MCF5407 core internal registers are displayed.

The abort function is most appropriate when software is being debugged. The user can interrupt the processor without destroying the present state of the system. This is

2.2.2.3 Software Reset Command.

dBUG does have a command that causes the dBUG to restart as if a hardware reset was invoked. The command is "RESET".

2.3 Command Line Usage

The user interface to dBUG is the command line. A number of features have been implemented to achieve an easy and intuitive command line interface.

dBUG assumes that an 80x24 ASCII character dumb terminal is used to connect to the debugger. For serial communications, dBUG requires eight data bits, no parity, and one stop bit (8N1). The baud rate default is 19200 bps — a speed commonly available from workstations, personal computers and dedicated terminals.

The command line prompt is: dBUG>

Any dBUG command may be entered from this prompt. dBUG does not allow command lines to exceed 80 characters. Wherever possible, dBUG displays data in 80 columns or less. dBUG echoes each character as it is typed, eliminating the need for any local echo on the terminal side.

The <Backspace> and <Delete> keys are recognized as rub-out keys for correcting typographical mistakes.

Command lines may be recalled using the <Control> U, <Control> D and <Control> R key sequences. <Control> U and <Control> D cycle up and down through previous command lines. <Control> R recalls and executes the last command line.

In general, dBUG is not case-sensitive. Commands may be entered either in uppercase or lowercase, depending upon the user's equipment and preference. Only symbol names require that the exact case be used.

Most commands can be recognized by using an abbreviated name. For instance, entering h is the same as entering help. Thus it is not necessary to type the entire command name.

The commands DI, GO, MD, STEP and TRACE are used repeatedly when debugging. dBUG recognizes this and allows for repeated execution of these commands with minimal typing. After a command is entered, press the <Return> or <Enter> key to invoke the command again. The command is executed as if no command line parameters were provided.

2.4 Commands

This section lists the commands that are available with all versions of dBUG. Some board or CPU combinations may use additional commands not listed below.

Table 2-1. dBUG Command Summary

MNEMONIC	SYNTAX	DESCRIPTION
ASM	asm <<addr> stmt>	Assemble
BC	bc addr1 addr2 length	Block Compare
BF	bf <width> begin end data <inc>	Block Fill
BM	bm begin end dest	Block Move
BR	br addr <-r> <-c count> <-t trigger>	Breakpoint
BS	bs <width> begin end data	Block Search
DC	dc value	Data Convert
DI	di<addr>	Disassemble
DL	dl <offset>	Download Serial
DN	dn <-c> <-e> <-i> <-s <-o offset>> <filename>	Download Network
GO	go <addr>	Execute
GT	gt addr	Execute To
HELP	help <command>	Help
IRD	ird <module.register>	Internal Register Display
IRM	irm module.register data	Internal Register Modify
LR	lr<width> addr	Loop Read
LW	lw<width> addr data	Loop Write
MD	md<width> <begin> <end>	Memory Display
MM	mm<width> addr <data>	Memory Modify
MMAP	mmap	Memory Map Display
RD	rd <reg>	Register Display
RM	rm reg data	Register Modify
RESET	reset	Reset
SD	sd	Stack Dump
SET	set <option value>	Set Configurations
SHOW	show <option>	Show Configurations
STEP	step	Step (Over)
SYMBOL	symbol <symb> <-a symb value> <-r symb> <-C s>	Symbol Management
TRACE	trace <num>	Trace (Into)
UPDEBUG	updebug	Update dBUG
UPUSER	upuser <bytes>	Update User Flash
VERSION	version	Show Version

ASM

Assembler

Usage: ASM <<addr> stmt>

The ASM command is a primitive assembler. The <stmt> is assembled and the resulting code placed at <addr>. This command has an interactive and non-interactive mode of operation.

The value for address <addr> may be an absolute address specified as a hexadecimal value, or a symbol name. The value for stmt must be valid assembler mnemonics for the CPU.

For the interactive mode, the user enters the command and the optional <addr>. If the address is not specified, then the last address is used. The memory contents at the address are disassembled, and the user prompted for the new assembly. If valid, the new assembly is placed into memory, and the address incremented accordingly. If the assembly is not valid, then memory is not modified, and an error message produced. In either case, memory is disassembled and the process repeats.

The user may press the <Enter> or <Return> key to accept the current memory contents and skip to the next instruction, or a enter period to quit the interactive mode.

In the non-interactive mode, the user specifies the address and the assembly statement on the command line. The statement is the assembled, and if valid, placed into memory, otherwise an error message is produced.

Examples:

To place a NOP instruction at address 0x00010000, the command is:

```
asm      10000 nop
```

To interactively assembly memory at address 0x00400000, the command is:

```
asm      400000
```

BC

Block Compare

Usage: BC addr1 addr2 length

The BC command compares two contiguous blocks of memory on a byte by byte basis. The first block starts at address addr1 and the second starts at address addr2, both of length bytes.

If the blocks are not identical, the address of the first mismatch is displayed. The value for addresses addr1 and addr2 may be an absolute address specified as a hexadecimal value or a symbol name. The value for length may be a symbol name or a number converted according to the user defined radix (hexadecimal by default).

Example:

To verify that the data starting at 0x20000 and ending at 0x30000 is identical to the data starting at 0x80000, the command is:

```
bc      20000 80000 10000
```

BF

Block Fill

Usage: BF<width> begin end data <inc>

The BF command fills a contiguous block of memory starting at address begin, stopping at address end, with the value data. <Width> modifies the size of the data that is written. If no <width> is specified, the default of word sized data is used.

The value for addresses begin and end may be an absolute address specified as a hexadecimal value, or a symbol name. The value for data may be a symbol name, or a number converted according to the user-defined radix, normally hexadecimal.

The optional value <inc> can be used to increment (or decrement) the data value during the fill.

This command first aligns the starting address for the data access size, and then increments the address accordingly during the operation. Thus, for the duration of the operation, this command performs properly-aligned memory accesses.

Examples:

To fill a memory block starting at 0x00020000 and ending at 0x00040000 with the value 0x1234, the command is:

```
bf      20000 40000 1234
```

To fill a block of memory starting at 0x00020000 and ending at 0x00040000 with a byte value of 0xAB, the command is:

```
bf.b    20000 40000 AB
```

To zero out the BSS section of the target code (defined by the symbols bss_start and bss_end), the command is:

```
bf      bss_start bss_end 0
```

To fill a block of memory starting at 0x00020000 and ending at 0x00040000 with data that increments by 2 for each <width>, the command is:

```
bf      20000 40000 0 2
```

BM

Block Move

Usage: BM begin end dest

The BM command moves a contiguous block of memory starting at address begin and stopping at address end to the new address dest. The BM command copies memory as a series of bytes, and does not alter the original block.

The values for addresses begin, end, and dest may be absolute addresses specified as hexadecimal values, or symbol names. If the destination address overlaps the block defined by begin and end, an error message is produced and the command exits.

Examples:

To copy a block of memory starting at 0x00040000 and ending at 0x00080000 to the location 0x00200000, the command is:

```
bm      40000 80000 200000
```

To copy the target code's data section (defined by the symbols data_start and data_end) to 0x00200000, the command is:

```
bm      data_start data_end 200000
```

NOTE:

Refer to “upuser” command for copying code/data into Flash memory.

BR

Breakpoints

Usage: BR addr <-r> <-c count> <-t trigger>

The BR command inserts or removes breakpoints at address addr. The value for addr may be an absolute address specified as a hexadecimal value, or a symbol name. Count and trigger are numbers converted according to the user-defined radix, normally hexadecimal.

If no argument is provided to the BR command, a listing of all defined breakpoints is displayed.

The -r option to the BR command removes a breakpoint defined at address addr. If no address is specified in conjunction with the -r option, then all breakpoints are removed.

Each time a breakpoint is encountered during the execution of target code, its count value is incremented by one. By default, the initial count value for a breakpoint is zero, but the -c option allows setting the initial count for the breakpoint.

Each time a breakpoint is encountered during the execution of target code, the count value is compared against the trigger value. If the count value is equal to or greater than the trigger value, a breakpoint is encountered and control returned to dBUG. By default, the initial trigger value for a breakpoint is one, but the -t option allows setting the initial trigger for the breakpoint.

If no address is specified in conjunction with the -c or -t options, then all breakpoints are initialized to the values specified by the -c or -t option.

Examples:

To set a breakpoint at the C function main() (symbol _main; see “symbol” command), the command is:

```
br      _main
```

When the target code is executed and the processor reaches main(), control will be returned to dBUG.

To set a breakpoint at the C function bench() and set its trigger value to 3, the command is:

```
br      _bench -t 3
```

When the target code is executed, the processor must attempt to execute the function bench() a third time before returning control back to dBUG.

To remove all breakpoints, the command is:

```
br      -r
```

BS

Block Search

Usage: BS<width> begin end data

The BS command searches a contiguous block of memory starting at address begin, stopping at address end, for the value data. <Width> modifies the size of the data that is compared during the search. If no <width> is specified, the default of word sized data is used.

The values for addresses begin and end may be absolute addresses specified as hexadecimal values, or symbol names. The value for data may be a symbol name or a number converted according to the user-defined radix, normally hexadecimal.

This command first aligns the starting address for the data access size, and then increments the address accordingly during the operation. Thus, for the duration of the operation, this command performs properly-aligned memory accesses.

Examples:

To search for the 16-bit value 0x1234 in the memory block starting at 0x00040000 and ending at 0x00080000:

```
bs40000 80000 1234
```

This reads the 16-bit word located at 0x00040000 and compares it against the 16-bit value 0x1234. If no match is found, then the address is incremented to 0x00040002 and the next 16-bit value is read and compared.

To search for the 32-bit value 0xABCD in the memory block starting at 0x00040000 and ending at 0x00080000:

```
bs.140000 80000 ABCD
```

This reads the 32-bit word located at 0x00040000 and compares it against the 32-bit value 0x0000ABCD. If no match is found, then the address is incremented to 0x00040004 and the next 32-bit value is read and compared.

DC

Data Conversion

Usage: DC data

The DC command displays the hexadecimal or decimal value data in hexadecimal, binary, and decimal notation.

The value for data may be a symbol name or an absolute value. If an absolute value passed into the DC command is prefixed by '0x', then data is interpreted as a hexadecimal value. Otherwise data is interpreted as a decimal value.

All values are treated as 32-bit quantities.

Examples:

To display the decimal and binary equivalent of 0x1234, the command is:

```
dc      0x1234
```

To display the hexadecimal and binary equivalent of 1234, the command is:

```
dc      1234
```


DI

Disassemble

Usage: DI <addr>

The DI command disassembles target code pointed to by addr. The value for addr may be an absolute address specified as a hexadecimal value, or a symbol name.

Wherever possible, the disassembler will use information from the symbol table to produce a more meaningful disassembly. This is especially useful for branch target addresses and subroutine calls.

The DI command attempts to track the address of the last disassembled opcode. If no address is provided to the DI command, then the DI command uses the address of the last opcode that was disassembled.

The DI command is repeatable.

Examples:

To disassemble code that starts at 0x00040000, the command is:

```
di      40000
```

To disassemble code of the C function main(), the command is:

```
di      _main
```

DL

Download Console

Usage: DL <offset>

The DL command performs an S-record download of data obtained from the console, typically a serial port. The value for offset is converted according to the user-defined radix, normally hexadecimal. Please reference the ColdFire Microprocessor Family Programmer's Reference Manual for details on the S-Record format.

If offset is provided, then the destination address of each S-record is adjusted by offset.

The DL command checks the destination download address for validity. If the destination is an address outside the defined user space, then an error message is displayed and downloading aborted.

If the S-record file contains the entry point address, then the program counter is set to reflect this address.

Examples:

To download an S-record file through the serial port, the command is:

```
dl
```

To download an S-record file through the serial port, and add an offset to the destination address of 0x40, the command is:

```
dl      0x40
```

DN Download Network

Usage: DN <-c> <-e> <-i> <-s> <-o offset> <filename>

The DN command downloads code from the network. The DN command handle files which are either S-record, COFF, ELF or Image formats. The DN command uses Trivial File Transfer Protocol (TFTP) to transfer files from a network host.

In general, the type of file to be downloaded and the name of the file must be specified to the DN command. The -c option indicates a COFF download, the -e option indicates an ELF download, the -i option indicates an Image download, and the -s indicates an S-record download. The -o option works only in conjunction with the -s option to indicate an optional offset for S-record download. The filename is passed directly to the TFTP server and therefore must be a valid filename on the server.

If neither of the -c, -e, -i, -s or filename options are specified, then a default filename and filetype will be used. Default filename and filetype parameters are manipulated using the SET and SHOW commands.

The DN command checks the destination download address for validity. If the destination is an address outside the defined user space, then an error message is displayed and downloading aborted.

For ELF and COFF files which contain symbolic debug information, the symbol tables are extracted from the file during download and used by dBUG. Only global symbols are kept in dBUG. The dBUG symbol table is not cleared prior to downloading, so it is the user's responsibility to clear the symbol table as necessary prior to downloading.

If an entry point address is specified in the S-record, COFF or ELF file, the program counter is set accordingly.

Examples:

To download an S-record file with the name "srec.out", the command is:

```
dn -s srec.out
```

To download a COFF file with the name "coff.out", the command is:

```
dn -c coff.out
```

To download a file using the default filetype with the name "bench.out", the command is:

```
dn bench.out
```

To download a file using the default filename and filetype, the command is:

```
dn
```

GO

Execute

Usage: GO <addr>

The GO command executes target code starting at address addr. The value for addr may be an absolute address specified as a hexadecimal value, or a symbol name.

If no argument is provided, the GO command begins executing instructions at the current program counter.

When the GO command is executed, all user-defined breakpoints are inserted into the target code, and the context is switched to the target program. Control is only regained when the target code encounters a breakpoint, illegal instruction, trap #15 exception, or other exception which causes control to be handed back to dBUG.

The GO command is repeatable.

Examples:

To execute code at the current program counter, the command is:

```
go
```

To execute code at the C function main(), the command is:

```
go _main
```

To execute code at the address 0x00040000, the command is:

```
go 40000
```

GT

Execute To

Usage: GT addr

The GT command inserts a temporary breakpoint at addr and then executes target code starting at the current program counter. The value for addr may be an absolute address specified as a hexadecimal value, or a symbol name.

When the GT command is executed, all breakpoints are inserted into the target code, and the context is switched to the target program. Control is only regained when the target code encounters a breakpoint, illegal instruction, or other exception which causes control to be handed back to dBUG.

Examples:

To execute code up to the C function bench(), the command is:

```
gt _bench
```

IRD Internal Register Display

Usage: IRD <module.register>

This command displays the internal registers of different modules inside the MCF5407. In the command line, module refers to the module name where the register is located and register refers to the specific register to display.

The registers are organized according to the module to which they belong. The available modules on the MCF5407 are CS, DMA0, DMA1, DMA2, DMA3, DRAMC, PP, MBUS, SIM, TIMER1, TIMER2, UART0 and UART1. Refer to the MCF5407 user's manual for more information on these modules and the registers they contain.

Example:

```
ird    sim.rsr
```

IRM Internal Register Modify

Usage: IRM module.register data

This command modifies the contents of the internal registers of different modules inside the MCF5407. In the command line, module refers to the module name where the register is located and register refers to the specific register to modify. The data parameter specifies the new value to be written into the register.

The registers are organized according to the module to which they belong. The available modules on the MCF5407 are CS, DMA0, DMA1, DMA2, DMA3, DRAMC, PP, MBUS, SIM, TIMER1, TIMER2, UART0 and UART1. Refer to the MCF5407 user's manual for more information on these modules and the registers they contain.

Example:

To modify the TMR register of the first Timer module to the value 0x0021, the command is:

```
irm timer1.tmr 0021
```

HELP

Help

Usage: HELP <command>

The HELP command displays a brief syntax of the commands available within dBUG. In addition, the address of where user code may start is given. If command is provided, then a brief listing of the syntax of the specified command is displayed.

Examples:

To obtain a listing of all the commands available within dBUG, the command is:

```
help
```

To obtain help on the breakpoint command, the command is:

```
help br
```


LR

Loop Read

Usage: LR<width> addr

The LR command continually reads the data at addr until a key is pressed. The optional <width> specifies the size of the data to be read. If no <width> is specified, the command defaults to reading word sized data.

Example:

To continually read the longword data from address 0x20000, the command is:

```
lr.l 20000
```

LW

Loop Write

Usage: LW<width> addr data

The LW command continually writes data to addr. The optional width specifies the size of the access to memory. The default access size is a word.

Examples:

To continually write the longword data 0x12345678 to address 0x20000, the command is:

```
lw.l    20000 12345678
```

Note that the following command writes 0x78 into memory:

```
lw.b    20000 12345678
```

MD

Memory Display

Usage: MD<width> <begin> <end>

The MD command displays a contiguous block of memory starting at address begin and stopping at address end. The values for addresses begin and end may be absolute addresses specified as hexadecimal values, or symbol names. Width modifies the size of the data that is displayed. If no <width> is specified, the default of word sized data is used.

Memory display starts at the address begin. If no beginning address is provided, the MD command uses the last address that was displayed. If no ending address is provided, then MD will display memory up to an address that is 128 beyond the starting address.

This command first aligns the starting address for the data access size, and then increments the address accordingly during the operation. Thus, for the duration of the operation, this command performs properly-aligned memory accesses.

Examples:

To display memory at address 0x00400000, the command is:

```
md 400000
```

To display memory in the data section (defined by the symbols data_start and data_end), the command is:

```
md data_start
```

To display a range of bytes from 0x00040000 to 0x00050000, the command is:

```
md.b 40000 50000
```

To display a range of 32-bit values starting at 0x00040000 and ending at 0x00050000:

```
md.l 40000 50000
```

MM

Memory Modify

Usage: MM<width> addr <data>

The MM command modifies memory at the address addr. The value for addr may be an absolute address specified as a hexadecimal value, or a symbol name. Width specifies the size of the data that is modified. If no <width> is specified, the default of word sized data is used. The value for data may be a symbol name, or a number converted according to the user-defined radix, normally hexadecimal.

If a value for data is provided, then the MM command immediately sets the contents of addr to data. If no value for data is provided, then the MM command enters into a loop. The loop obtains a value for data, sets the contents of the current address to data, increments the address according to the data size, and repeats. The loop terminates when an invalid entry for the data value is entered, i.e., a period.

This command first aligns the starting address for the data access size, and then increments the address accordingly during the operation. Thus, for the duration of the operation, this command performs properly-aligned memory accesses.

Examples:

To set the byte at location 0x00010000 to be 0xFF, the command is:

```
mm.b    10000 FF
```

To interactively modify memory beginning at 0x00010000, the command is:

```
mm      10000
```

MMAP

Memory Map Display

Usage: mmap

This command displays the memory map information for the M5407C3 evaluation board. The information displayed includes the type of memory, the start and end address of the memory, and the port size of the memory. The display also includes information on how the Chip-selects are used on the board.

Here is an example of the output from this command:

Type	Start	End	Port Size
SDRAM	0x00000000	0x00FFFFFF	32-bit
Vector Table	0x00000000	0x000003FF	32-bit
USER SPACE	0x00020000	0x00FFFFFF	32-bit
MBAR	0x10000000	0x100003FF	32-bit
Internal SRAM0	0x20000000	0x200007FF	32-bit
Internal SRAM1	0x20000800	0x20000FFF	32-bit
External SRAM	0x30000000	0x3007FFFF	32-bit
Ethernet IO	0x40000300	0x400FFFFF	16-bit
Flash	0x7FE00000	0x7FFFFFFF	16-bit
PCI	0xFFFF0000	0xFFFF3FFF	32-bit

Chip Selects

CS0	Flash
CS1	PCI
CS2	Ext SRAM
CS3	Ethernet
CS4	not in use
CS5	not in use
CS6	not in use
CS7	not in use

RD

Register Display

Usage: RD <reg>

The RD command displays the register set of the target. If no argument for reg is provided, then all registers are displayed. Otherwise, the value for reg is displayed.

dBUG preserves the registers by storing a copy of the register set in a buffer. The RD command displays register values from the register buffer.

Examples:

To display all the registers and their values, the command is:

```
rd
```

To display only the program counter:

```
rd    pc
```

Here is an example of the output from this command:

```
PC: 00000000 SR: 2000 [t.Sm.000...xnzvc]
An: 00000000 00000000 00000000 00000000 00000000 00000000 00000000 01000000
Dn: 00000000 00000000 00000000 00000000 00000000 00000000 00000000 00000000
```

RM

Register Modify

Usage: RM reg data

The RM command modifies the contents of the register reg to data. The value for reg is the name of the register, and the value for data may be a symbol name, or it is converted according to the user-defined radix, normally hexadecimal.

dBUG preserves the registers by storing a copy of the register set in a buffer. The RM command updates the copy of the register in the buffer. The actual value will not be written to the register until target code is executed.

Examples:

To change register D0 on MC68000 and ColdFire to contain the value 0x1234, the command is:

```
rm      D0 1234
```

RESET

Reset the Board and dBUG

Usage: RESET

The RESET command resets the board and dBUG to their initial power-on states.

The RESET command executes the same sequence of code that occurs at power-on. If the RESET command fails to reset the board adequately, cycle the power or press the reset button.

Examples:

To reset the board and clear the dBUG data structures, the command is:

```
reset
```


SET

Set Configurations

Usage: SET <option value>

The SET command allows the setting of user-configurable options within dBUG. With no arguments, SET displays the options and values available. The SHOW command displays the settings in the appropriate format. The standard set of options is listed below.

- **baud** - This is the baud rate for the first serial port on the board. All communications between dBUG and the user occur using either 9600 or 19200 bps, eight data bits, no parity, and one stop bit, 8N1.
- **base** - This is the default radix for use in converting a number from its ASCII text representation to the internal quantity used by dBUG. The default is hexadecimal (base 16), and other choices are binary (base 2), octal (base 8), and decimal (base 10).
- **client** - This is the network Internet Protocol (IP) address of the board. For network communications, the client IP is required to be set to a unique value, usually assigned by your local network administrator.
- **server** - This is the network IP address of the machine which contains files accessible via TFTP. Your local network administrator will have this information and can assist in properly configuring a TFTP server if one does not exist.
- **gateway** - This is the network IP address of the gateway for your local subnetwork. If the client IP address and server IP address are not on the same subnetwork, then this option must be properly set. Your local network administrator will have this information.
- **netmask** - This is the network address mask to determine if use of a gateway is required. This field must be properly set. Your local network administrator will have this information.
- **filename** - This is the default filename to be used for network download if no name is provided to the DN command.
- **filetype** - This is the default file type to be used for network download if no type is provided to the DN command. Valid values are: “srecord”, “coff”, and “elf”.
- **mac** - This is the ethernet Media Access Control (MAC) address (a.k.a hardware address) for the evaluation board. This should be set to a unique value, and the most significant nibble should always be even.

Examples:

To set the baud rate of the board to be 19200, the command is:

```
set      baud 19200
```

SHOW

Show Configurations

Usage: SHOW <option>

The SHOW command displays the settings of the user-configurable options within dBUG. When no option is provided, SHOW displays all options and values.

Examples:

To display all options and settings, the command is:

```
show
```

To display the current baud rate of the board, the command is:

```
show    baud
```

Here is an example of the output from a show command:

```
dBUG> show
      base: 16
      baud: 19200
      server: 192.0.0.1
      client: 192.0.0.2
      gateway: 0.0.0.0
      netmask: 255.255.255.0
      filename: test.srec
      filetype: S-Record
      mac: 00:CF:54:07:C3:01
```

STEP

Step Over

Usage: STEP

The STEP command can be used to “step over” a subroutine call, rather than tracing every instruction in the subroutine. The ST command sets a temporary breakpoint one instruction beyond the current program counter and then executes the target code.

The STEP command can be used to “step over” BSR and JSR instructions.

The STEP command will work for other instructions as well, but note that if the STEP command is used with an instruction that will not return, i.e. BRA, then the temporary breakpoint may never be encountered and dBUG may never regain control.

Examples:

To pass over a subroutine call, the command is:

```
step
```

SYMBOL Symbol Name Management

Usage: SYMBOL <symb> <-a symb value> <-r symb> <-c|l|s>

The SYMBOL command adds or removes symbol names from the symbol table. If only a symbol name is provided to the SYMBOL command, then the symbol table is searched for a match on the symbol name and its information displayed.

The -a option adds a symbol name and its value into the symbol table. The -r option removes a symbol name from the table.

The -c option clears the entire symbol table, the -l option lists the contents of the symbol table, and the -s option displays usage information for the symbol table.

Symbol names contained in the symbol table are truncated to 31 characters. Any symbol table lookups, either by the SYMBOL command or by the disassembler, will only use the first 31 characters. Symbol names are case-sensitive.

Symbols can also be added to the symbol table via in-line assembly labels and ethernet downloads of ELF formatted files.

Examples:

To define the symbol “main” to have the value 0x00040000, the command is:

```
symbol          -a main 40000
```

To remove the symbol “junk” from the table, the command is:

```
symbol          -r junk
```

To see how full the symbol table is, the command is:

```
symbol          -s
```

To display the symbol table, the command is:

```
symbol          -l
```

TRACE

Trace Into

Usage: TRACE <num>

The TRACE command allows single-instruction execution. If num is provided, then num instructions are executed before control is handed back to dBUG. The value for num is a decimal number.

The TRACE command sets bits in the processors' supervisor registers to achieve single-instruction execution, and the target code executed. Control returns to dBUG after a single-instruction execution of the target code.

This command is repeatable.

Examples:

To trace one instruction at the program counter, the command is:

```
tr
```

To trace 20 instructions from the program counter, the command is:

```
tr    20
```

UPDEBUG

Usage: `updebug`

The `updebug` command is used to update the dBUG image in Flash. When updates to the M5407C3 dBUG are available, the updated image is downloaded to address 0x00020000. The new image is placed into Flash using the UPDEBUG command. The user is prompted for verification before performing the operation. Use this command with extreme caution, as any error can render dBUG useless!

Update dBUG

UPUSER

Update User Flash

Usage: UPUSER <bytes>

The UPUSER command places user code and data into space allocated for the user in Flash. The optional parameter bytes specifies the number of bytes to copy into the user portion of Flash. If the bytes parameter is omitted, then this command writes to the entire user space. There are seven sectors of 256K each available as user space. Users access this memory starting at address 0xFFE40000.

Examples:

To program all 7 sectors of user Flash, the command is:

```
upuser
```

To program only 1000 bytes into user Flash, the command is:

```
upuser 1000
```

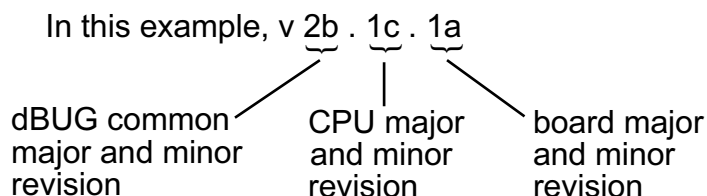
VERSION

Display dBUG Version

Usage: VERSION

The VERSION command displays the version information for dBUG. The dBUG version, build number and build date are all given.

The version number is separated by a decimal, for example, “v 2b.1c.1a”.



The version date is the day and time at which the entire dBUG monitor was compiled and built.

Examples:

To display the version of the dBUG monitor, the command is:

```
version
```


2.5 TRAP #15 Functions

An additional utility within the dBUG firmware is a function called the TRAP 15 handler. This function can be called by the user program to utilize various routines within the dBUG, to perform a special task, and to return control to the dBUG. This section describes the TRAP 15 handler and how it is used.

There are four TRAP #15 functions. These are: OUT_CHAR, IN_CHAR, CHAR_PRESENT, and EXIT_TO_dBUG.

2.5.1 OUT_CHAR

This function (function code 0x0013) sends a character, which is in lower 8 bits of D1, to terminal.

Assembly example:

```

/* assume d1 contains the character */
move.l      #$0013,d0      Selects the function
TRAP       #15            The character in d1 is sent to terminal

```

C example:

```

void board_out_char (int ch)
{
    /* If your C compiler produces a LINK/UNLK pair for this routine,
     * then use the following code which takes this into account
     */
    #if 1
        /* LINK a6,#0 -- produced by C compiler */
        asm (" move.l8(a6),d1");          /* put 'ch' into d1 */
        asm (" move.l#0x0013,d0");      /* select the function */
        asm (" trap#15");              /* make the call */
        /* UNLK a6 -- produced by C compiler */
    #else
        /* If C compiler does not produce a LINK/UNLK pair, the use
         * the following code.
         */
        asm (" move.l4(sp),d1");        /* put 'ch' into d1 */
        asm (" move.l#0x0013,d0");      /* select the function */
        asm (" trap#15");              /* make the call */
    #endif
}

```

2.5.2 IN_CHAR

TRAP #15 Functions

Assembly example:

```

    move.l  #$0010,d0      Select the function
    trap   #15            Make the call, the input character is in d1.

```

C example:

```

int board_in_char (void)
{
    asm (" move.l#0x0010,d0");    /* select the function */
    asm (" trap#15");           /* make the call */
    asm (" move.l d1,d0");      /* put the character in d0 */
}

```

2.5.3 CHAR_PRESENT

This function (function code 0x0014) checks if an input character is present to receive. A value of zero is returned in D0 when no character is present. A non-zero value in D0 means a character is present.

Assembly example:

```

    move.l  #$0014,d0      Select the function
    trap   #15            Make the call, d0 contains the response (yes/no).

```

C example:

```

int board_char_present (void)
{
    asm (" move.l#0x0014,d0");    /* select the function */
    asm (" trap#15");           /* make the call */
}

```

2.5.4 EXIT_TO_dBUG

This function (function code 0x0000) transfers the control back to the dBUG, by terminating the user code. The register context are preserved.

Assembly example:

```

    move.l  #$0000,d0      Select the function
    trap   #15            Make the call, exit to dBUG.

```

C example:

```

void board_exit_to_dbug (void)
{
    asm (" move.l#0x0000,d0");    /* select the function */
}

```



```
asm (" trap#15");          /* exit and transfer to dBUG */  
}
```



Chapter 3

Hardware Description and Reconfiguration

This chapter provides a functional description of the M5407C3 board hardware. With the description given here and the schematic diagram in Appendix E, the user can gain a good understanding of the board's design. In this manual, an active low signal is indicated by a "-" preceding the signal name in this text and a bar over the signal name in the schematics.

3.1 The Processor and Support Logic

This part of the Chapter discusses the CPU and general supporting logic on the M5407C3 board.

3.1.1 Processor

The microprocessor used in the M5407C3 is the highly integrated Freescale ColdFire® MCF5407, 32-bit processor. The MCF5407 implements a ColdFire version 4 core with 16 KByte instruction cache and 8 KByte of data cache, two UART channels, two Timers, 4 KBytes of SRAM, Freescale M-Bus Module supporting the I²C, two-byte wide parallel I/O port, and the supporting integrated system logic. All the registers of the core processor are 32 bits wide except for the Status Register (SR) which is 16 bits wide. This processor communicates with external devices over a 32-bit wide data bus, D0-D31 with support for 8 and 16-bit ports. This chip can address 4 GBytes of memory space using internal chip-select logic. All the processor's signals are available through the expansion connectors (J1 and J2). Refer to section 3.6 for pin assignment.

The MCF5407 has an IEEE JTAG-compatible port and BDM port used with third party tools. The board is configured to boot up in the normal/BDM mode of operation. These signals are available at port J5. The processor also has the logic to generate up to eight (8) chip selects, -CS0 to -CS7, and support for 2 banks of ADRAM (not on evaluation board) or 2 banks of SDRAM (on evaluation board).

3.1.2 Reset Logic

U19 is used to produce active low power-on RESET signal which feeds into the ispLSI2032. The reset switch is fed into U19 which generates U18's input for reset. The U18 device generates the system reset (-CF_RSTI) and Ethernet RESET (ETH_RST) signals.

dBUG performs the following configurations of internal resources during the initialization. The instruction cache is invalidated and disabled. The Vector Base Register, VBR, points to the Flash. A copy of the exception table is made at address \$00000000 in the SDRAM.

The Software Watchdog Timer is disabled, Bus Monitor enabled, and internal timers are placed in a stop condition. Interrupt controller registers are initialized with unique interrupt level/priority pairs. PP[7:0] are configured as parallel port output pins and PP[15:8] are configured as A[31:24]. PP[7:4] are general purpose outputs and PP[3:0] are used by the ROM monitor to automatically configure the SDRAM address lines via the U27 mux.

3.1.3 HIZ Signal

The assertion of the -HIZ signal forces all output drivers to a high-impedance state. The -HIZ signal is actively driven by the ispLSI2032V-100LJ (U18). -HIZ is only driven low (asserted) during reset. This Signal is available on the 120 pin expansion connector J1. This signal should not be driven by the user.

3.1.4 Clock Circuitry

The M5407C3 uses a 50MHZ oscillator (U21) to provide the clock to CLKIN pin of the processor. In addition to U21, there also exist a 20MHz oscillator (U10) which feeds into the Ethernet chip, a PCI bus master 33MHZ oscillator (U30) and a 32.768 KHZ crystal (Y1) for the real-time clock. The CLKIN drives the clock buffer chip (U24). The buffered CLKIN drives the 5407 and the ispLSI2032 for Ethernet timing (1/6 bus clock), SRAM (U13), and SDRAM (U26).

3.1.5 Watchdog Timer

The duration of the Watchdog is selected by BMT0-1 bits in System Protection Register. The dBUG initializes this register with the value 00, which provides for 1024 system clock time-out but dBUG does **NOT** enable it.

3.1.6 Interrupt Sources

The ColdFire® family of processors can receive interrupts for seven levels of interrupt priorities. When the processor receives an interrupt which has higher priority than the current interrupt mask (in status register), it will perform an interrupt acknowledge cycle at the end of the current instruction cycle. This interrupt acknowledge cycle indicates to the source of the interrupt that the request is being acknowledged and the device should provide the proper vector number to indicate where the service routine for this interrupt level is

located. If the source of interrupt is not capable of providing a vector, its interrupt should be set up as autovector interrupt which directs the processor to a predefined entry into the exception table (refer to the MCF5407 User's Manual).

The processor goes to an exception routine via the exception table. This table is in the Flash and the VBR points to it. However, a copy of this table is made in the RAM starting at \$00000000. To set an exception vector, the user places the address of the exception handler in the appropriate vector in the vector table located at \$00000000, and then points the VBR to \$00000000.

The MCF5407 has four external interrupt request lines. You can program the external interrupt request pins to level 1, 3, 5, and 7 or levels 2, 4, 6, and 7. The M5407C3 configures these lines as level 1, 3, 5, and 7. There are also six internal interrupt requests from Timer0, Timer1, Software watchdog timer, UART0, UART1, and MBUS. Each interrupt source, external and internal, can be programmed for any priority level. In case of similar priority level, a second relative priority between 0 to 3 will be assigned.

However, the software watchdog is programmed for Level 7, priority 2 and uninitialized vector. The UART0 is programmed for Level 3, priority 2 and autovector. The UART1 is programmed for Level 3, priority 1 and autovector. The M-Bus is at Level 3, priority 0 and autovector. The Timers are at Level 5 with Timer0 with priority 3 and Timer1 with priority 2 and both for autovector.

NOTE:

No interrupt sources should have the same level and priority as another. Programming two interrupt sources with the same level and priority can result in undefined operation.

The M5407C3 uses -IRQ7 to support the ABORT function using the ABORT switch S2. This switch is used to force a non-maskable interrupt (level 7, priority 3) if the user's program execution should be aborted without issuing a RESET (refer to Chapter 2 for more information on ABORT). Since the ABORT switch is not capable of generating a vector in response to level seven interrupt acknowledge from the processor, the debugger programs this request for autovector mode.

The -IRQ1 line of the MCF5407 is connected to the PCI connector J3 pin A6 signal INTA#.

The -IRQ5 line of the MCF5407 is connected to the PCI controller (U17) pin 12 signal -IRQ_OUT.

Refer to MCF5407 User's Manual for more information about the interrupt controller.

3.1.7 Internal SRAM

configured as data space but is not used by dBUG except during system initialization. After system initialization is complete it is available to the user. The memory is relocatable to any 2 KByte boundary.

If one or both of the internal SRAMs will be used to store instructions, then the RAMBAR should initially be set up for data. While the SRAM is programmed as data the code can be loaded into the SRAM. After the code has been moved reprogram the RAMBAR so that the SRAM is defined as instruction. Now the code stored in the SRAM can execute.

3.1.8 The MCF5407 Registers and Memory Map

The memory and I/O resources of the M5407C3 are divided into three groups, MCF5407 Internal, External resources, and the ethernet controller. All the I/O registers are memory mapped.

The MCF5407 has built in logic and up to eight chip-select pins (-CS0 to -CS7) which are used to enable external memory and I/O devices. In addition there are two -RAS lines for DRAM's. There are registers to specify the address range, type of access, and the method of -TA generation for each chip-select and -RAS pins. These registers are programmed by dBUG to map the external memory and I/O devices.

The M5407C3 uses chip-select zero (-CS0) to enable the Flash ROM (refer to Section 3.3.) The M5407C3 uses -RAS1, -RAS2, -CAS0, -CAS1, -CAS2, and -CAS3 to enable the SDRAM DIMM module (refer to Section 3.2), -CS2 for SRAM (not populated), -CS3 for Ethernet Bus I/O space, and -CS1 for the PCI bridge chip.

The chip select mechanism of the MCF5407 allows the memory mapping to be defined based on the memory space desired (User/Supervisor, Program/Data spaces).

All the MCF5407 internal registers, configuration registers, parallel I/O port registers, UART registers and system control registers are mapped by MBAR register at any 1 KByte boundary. It is mapped to 0x10000000 by dBUG. For complete map of these registers refer to the MCF5407 User's Manual.

The M5407C3 board can have up to 512 MBytes of SDRAM installed. The first 16 MBytes of memory space are reserved for this memory. Refer to Section 3.2 for a discussion of RAM. The dBUG is programmed in one Am29PL160C-XX Flash ROM which occupies 2 MBytes of the address space. The first 256 KBytes are used by ROM Monitor and the remainder is left for user use. Refer to section 3.3.

dBUG maps all the I/O space of the Ethernet bus to the MCF5407 memory at address \$40000000. Refer to section 3.6

Table 3-1 shows the M5407C3 memory maps.

Table 3-1. The M5407C3 Memory Map

Address Range	Signal and Device	Memory Access Time
\$00000000-\$00020000	SDRAM space for dBug ROM monitor use	refer to manufacturer spec
\$00020000-\$00FFFFFF	SDRAM space	refer to manufacturer spec
\$10000000-\$100003FF	System Integration Module (SIM) registers	internal access
\$20000000-\$200007FF	SRAM0	internal access (1 clock)
\$20000800-\$20000FFF	SRAM1	internal access (1 clock)
\$30000000-\$300003FF ¹	-CS2, External SRAM	2-1-1-1
\$40000000-\$400FFFFFF	-CS3, 1M Ethernet Bus Area	external TA from PLD (U18)
\$7FE00000-\$7FFFFFFF	-CS0, 2M Flash ROM	8-7-7-7
\$FFFF0000-\$FFFFFFFF	-CS1, PCI Bridge Chip	external TA from PCI (U17)

¹ Not installed. SRAM footprint accepts Motorola's MCM69F737TQ chip and any other SRAM with the same electrical specifications and package.

All the unused area of the memory map is available to the user.

3.1.9 Reset Vector Mapping

After reset, the processor attempts to get the initial stack pointer and initial program counter values from locations \$000000-\$000007 (the first eight bytes of memory space). This requires the board to have a nonvolatile memory device in this range with proper information. However, in some systems, it is preferred to have RAM starting at address \$00000000. In MCF5407, the -CS0 responds to any accesses after reset until the CSMR0 is written. Since -CS0 (the global chip select) is connected to Flash ROM, the Flash ROM appears at address \$00000000 which provides the initial stack pointer and program counter (the first 8 bytes of the Flash ROM). The initialization routine programs the chip-select logic, locates the Flash ROM to start at \$7FE00000 and the configures the rest of the internal and external peripherals.

3.1.10 TA Generation

The processor starts a bus cycle by asserting -TS with other control signals. The processor then waits for an acknowledgment (-TA) either from within (Auto acknowledge mode) or by the externally addressed device before it can complete the bus cycle. -TA is used not only to indicate the completion of the bus cycle, it also allows devices with different access times to communicate with the processor properly (i.e. asynchronously). The MCF5407, as part

generate -TA internally after a preprogrammed number of wait states. In order to support future expansion of the board, the -TA input of the processor is also connected to the Processor Expansion Bus, J2. This allows the expansion boards to assert this line to indicate their -TA to the processor. On the expansion boards, however, this signal should be generated through an open collector buffer with no pull-up resistor; a pull-up resistor is included on the board. All the -TA's from the expansion boards should be connected to this line.

3.1.11 Wait State Generator

The Flash ROM and SDRAM DIMM on the board may require some adjustments on the cycle time of the processor to make them compatible with processor speed. To extend the CPU bus cycles for the slower devices, the chip-select logic of the MCF5407 can be programmed to generate an internal -TA after a given number of wait states. Refer to Sections 3.1.12 and 3.1.13 for information about the wait state requirements of SDRAM and Flash ROM respectively.

3.1.12 SDRAM DIMM

The M5407C3 has one 168-pin DIMM socket (U26) for a SDRAM DIMM. The M5407C3 will work with most PC100 SDRAM DIMMs with a few exceptions. The 5407 supports up to two banks of SDRAM, but double-sided DIMMs require 4 bank selects to access all of the chips. Therefore when using double-sided DIMMs only half of the available memory will be accessible. Since DIMMs are manufactured primarily for use in PCs some DIMMs have the DQM (byte enables) and RAS (bank selects) routed so that the DIMM cannot be accessed as a 32-bit port.

In order to support SDRAM DIMMs with different configurations the M5407C3 uses a helper mux (U27) to configure the address line connections to the DIMM socket. See the Connecting the MCF5307 to 168-Pin Unbuffered SDRAM DIMMs application note on the coldfire website (www.freescale.com/coldfire) for more information. JP21-JP24 are used to configure the inputs to the helper mux. When dBUG comes up it will read the SDRAM configuration information from the EEPROM on the DIMM and drive the proper configuration data for the helper mux on PP[0:3].

If you are using a third party debugger or want to use PP[0:3] then the jumpers JP21-JP24 should be moved to the correct settings for the particular DIMM you are using. There are a couple of ways to determine which settings should be used. First, the jumper settings for different combinations of row and column addresses are listed in the jumper table silkscreen on the back of the board. The settings can also be determined by allowing the board to boot up under dBUG control. Since dBUG drives the configuration data on PP[0:3] the data will be seen on the LEDs (D1-D4). If the LED is on then the corresponding jumper should be OFF, and if the LED is off then the jumper should be in position 2-3.

3.1.13 Flash ROM

There is one 2 MByte Flash ROM on the M5407C3, U12.

The board is shipped with one Am29PL160C, 2 MByte Flash ROM. The first 256K of the Flash contains ROM Monitor firmware. The remaining memory is available to the user.

The MCF5407 chip-select logic can be programmed to generate the -TA for -CS0 signal after a certain number of wait states (i.e. auto acknowledge mode). dBUG programs this parameter to six wait-states.

3.1.14 JP15 Jumper and User's Program

This jumper allows users to test code from the boot without having to overwrite the ROM Monitor.

When the jumper is set between pins 1 and 2, the behavior is normal. When the jumper is set between pins 2 and 3, the board boots from the second half of Flash (0x7FF00000).

Procedure:

1. Compile and link as though the code was to be placed at the base of the flash, but setup so that it will download to the SDRAM starting at address 0xE0000. The user should refer to the compiler for this, since it will depend upon the compiler used.
2. Set up the jumper (JP15) for Normal operation, pin1 connected to pin 2.
3. Download to SDRAM (If using serial or ethernet, start ROM Monitor first. If using BDM via wiggler, download first, then start ROM Monitor by pointing PC to 0x7fe00400 and run.)
4. In ROM Monitor, run 'upuser' command.
5. Move jumper (JP15) to pin 2 connected to pin 3 and push the reset button (S1). User code should be running.

3.2 Serial Communication Channels

The M5407C3 offers a number of serial communications. They are discussed in this section.

3.2.1 MCF5407 UARTs

The MCF5407 has two built in UARTs, each with its own software programmable baud rate generators; one channel is the ROM Monitor to Terminal output and the other is available to the user. The ROM Monitor programs the interrupt level for UART0 to Level 3, priority

through the RS-232 driver/receiver and are available on DB-9 connectors P4 and P5. Refer to the MCF5407 User's Manual for programming and the register map.

3.2.2 I²C Module

The MCF5407 has a built in I²C module which allows interchip bus interface for a number of I/O devices. It is compatible with industry-standard I²C Bus. The M5407C3 uses this to access the SDRAM eeprom parameters. The two I²C signals are SDA and SCL which are available on the J2 expansion connector and J6 (this connector is unpopulated, see BOM in Appendix XXX for part number). These signals are open-collector signals. However, they have pull-up resistors on the M5407C3. These signals are connected to the SDRAM DIMM module I²C interface but not used by the debugger. The interrupt control register for I²C is set for Level 3, priority 0 and autovector. Please note the MCF5407 I²C module is only 3.3V tolerant. Level shifters should be used if 5V devices are being interfaced to the MCF5407 I²C.

3.3 Real-Time Clock

The M41T11M is a real-time clock incorporating 64 bytes of low power static RAM and a built-in 32.768KHz oscillator, driven from an external crystal. The first 8 bytes of RAM are used to provide the clock/calendar storage, which are configured in BCD format. The remaining 56 bytes of RAM is available for use as battery backed storage - if the battery site on the M5407C3 is populated. Addresses and data are transferred via the I²C

bus to the M41T11M within which an address register is incremented after each read or write of data. The device is year 2000 compliant and has automatic leap year compensation. There are counters within the device for seconds, minutes, hours, day, date, month, year and century.

3.4 Parallel I/O Port

The MCF5407 has one 16-bit parallel port. All the pins have dual functions. They can be configured as I/O or their alternate function via the Pin Assignment register. dBug programs the parallel port pins as follows:

P[3:0] connects to the SDRAM mux control and LEDs.

P[7:4] connects to LEDs and are available to the user during dBUG.

P[15:8] are configured as A[31:24].

3.5 On-Board Ethernet Logic

The M5407C3 includes the necessary logic, drivers, and the NE2000 compatible Ethernet chip to allow 10M bit transfer rate on a network. The Ethernet-space addresses are located starting at 0x40000000.

The interface base address is 0x300 and uses IRQ3. However, the Ethernet base address in

our system as mentioned earlier is 0x40000000. Which brings the address of chip to 0x40000300. Note that all registers should be addressed as WORD accesses (even though the registers are bytes). Note that the even address registers are addressed as they are (no change), the read word will have the byte of the data in the lower byte of the word.

For odd addressed bytes, the address is mapped to 0x400083xx-1. Note that odd-bytes are addressed as even addresses but increased by 0x8000. Still the read byte will be in the lower byte of the read word

Below is an example of the data structure used to define the registers. For more information on the Davicom DM9008 visit the Davicom website (www.davicom8.com).

```
typedef struct
{
    NATURAL16 CR;
    union
    {
        struct
        {
            /* Even registers */
            NATURAL16 CLDA1; /* CLDA1 (rd) PSTOP (wr) */
            NATURAL16 TSR; /* TSR (rd) TPSR (wr) */
            NATURAL16 FIFO; /* FIFO (rd) TBCR1 (wr) */
            NATURAL16 CRDA0; /* CRDA0 (rd) RSAR0 (wr) */
            NATURAL16 RBCR0; /* Remote Byte Count 0 (wr) */
            NATURAL16 RSR; /* RSR (rd) RCR (wr) */
            NATURAL16 CNTR1; /* CNTR1 (rd) DCR (wr) */

            NATURAL16 DATAPORT;

            NATURAL16 reserved[(0x10000-0x0012)/2];

            /* Odd registers */
            NATURAL16 CLDA0; /* CLDA0 (rd) PSTART (wr) */
            NATURAL16 BNRY; /* Boundary pointer (rd wr) */
            NATURAL16 NCR; /* NCR (rd) TBCR0 (wr) */
            NATURAL16 ISR; /* Interrupt Status Register (rd wr) */
            NATURAL16 CRDA1; /* CRDA1 (rd) RSAR1 (wr) */
            NATURAL16 RBCR1; /* Remote Byte Count 1 (wr) */
            NATURAL16 CNTR0; /* CNTR0 (rd) TCR (wr) */
            NATURAL16 CNTR2; /* CNTR2 (rd) IMR (wr) */
        } page0;
    } struct
    {
        /* Even registers */
        NATURAL16 PAR1; /* Physical Address Byte 1 */
    }
};
```

```

NATURAL16 MAR4; /* Multicast Address Byte 4 */
NATURAL16 MAR6; /* Multicast Address Byte 6 */

NATURAL16 reserved[(0x10000-0x0010)/2];

/* Odd registers */
NATURAL16 PAR0; /* Physical Address Byte 0 */
NATURAL16 PAR2; /* Physical Address Byte 2 */
NATURAL16 PAR4; /* Physical Address Byte 4 */
NATURAL16 CURR; /* Current Page Register (rd wr) */
NATURAL16 MAR1; /* Multicast Address Byte 1 */
NATURAL16 MAR3; /* Multicast Address Byte 3 */
NATURAL16 MAR5; /* Multicast Address Byte 5 */
NATURAL16 MAR7; /* Multicast Address Byte 7 */
} page1;
struct
{
    /* Even registers */
    NATURAL16 PSTOP; /* PSTOP (rd) CLDA1 (wr) */
    NATURAL16 TPSR; /* Transmit Page Start Address (rd) */
    NATURAL16 ACU; /* Address Counter Upper */
    NATURAL16 reserved0;
    NATURAL16 reserved2;
    NATURAL16 RCR; /* Receive Configuration Register (rd) */
    NATURAL16 DCR; /* Data Configuration Register (rd) */

    NATURAL16 reserved[(0x10000-0x0010)/2];

    /* Odd registers */
    NATURAL16 PSTART; /* PSTART (rd) CLDA0 (wr) */
    NATURAL16 RNPP; /* Remote Next Packet Pointer */
    NATURAL16 LNPP; /* Local Next Packet Pointer */
    NATURAL16 ACL; /* Address Counter Lower */
    NATURAL16 reserved1;
    NATURAL16 reserved3;
    NATURAL16 TCR; /* Transmit Configuration Register (rd) */
    NATURAL16 IMR; /* Interrupt Mask Register (rd) */
} page2;
} regs;
} NS8390;

```

The main purpose for this setup is to allow the use of Ethernet card (NE2000 compatible) to facilitate network download, refer to chapter 2 for network download command (DN). The dBUG driver is 100% NE2000 compatible.

The Ethernet Bus interrupt request line is connected via the 2032V PLD to IRQ3.

The on board ROM MONITOR is programmed to allow a user to download files from a network to memory in different formats. The current compiler formats supported are S-Record, COFF, ELF, or Image.

3.6 Connectors and Expansion Bus

There are 2 expansion connectors on the M5407C3 (J1 and J2) which are used to connect the board to external I/O devices and/or expansion boards.

3.6.1 Expansion Connectors - J1 and J2

Table 3-2 shows pin assignments for the J1 connector.

Table 3-2. J1 Connector Pin Assignment

Pin	Signal	Pin	Signal	Pin	Signal	Pin	Signal
1	1.8V	2	1.8V	61	D20	62	A15
3	1.8V	4	GND	63	D21	64	A16
5	D0	6	-HIZ	65	D22	66	GND
7	D1	8	-BKPT_TMS	67	GND	68	A17
9	GND	10	DSDI_TDI	69	D23	70	A18
11	D2	12	1.8V	71	D24	72	A19
13	D3	14	DSDO_TDO	73	D25	74	3.3V
15	3.3V	16	TCK	75	3.3V	76	A20
17	D4	18	DSCLK_TRST	77	D26	78	A21
19	D5	20	GND	79	D27	80	A22
21	GND	22	A0	81	D28	82	GND
23	D6	24	A1	83	GND	84	A23
25	D7	26	3.3V	85	D29	86	A24
27	3.3V	28	A2	87	D30	88	A25
29	D8	30	A3	89	D31	90	3.3V
31	D9	32	A4	91	3.3V	92	A26
33	D10	34	GND	93	SIZ0	94	A27
35	GND	36	A5	95	SIZ1	96	A28
37	D11	38	A6	97	GND	98	GND
39	D12	40	A7	99	-OE	100	A29
41	D13	42	3.3V	101	-CS0	102	A30
43	3.3V	44	A8	103	-CS1	104	A31
45	D14	46	A9	105	3.3V	106	1.8V

Table 3-2. J1 Connector Pin Assignment (Continued)

Pin	Signal	Pin	Signal	Pin	Signal	Pin	Signal
51	GND	52	A11	111	1.8V	112	1.8V
53	D17	54	A12	113	5V	114	5V
55	D18	56	A13	115	5V	116	5V
57	D19	58	3.3V	117	GND	118	GND
59	3.3V	60	A14	119	GND	120	GND

Table 3-3 shows the pin assignments of the J2 connector.

Table 3-3. J2 Connector pin assignment

Pin	Signal	Pin	Signal	Pin	Signal	Pin	Signal
1	1.8V	2	1.8V	61	TIN1	62	GND
5	-CS2	6	PP0	63	-R_RAS0/SO0	64	GND
3	GND	4	GND	65	-R_RAS1/SO2	66	MTMOD1
7	-CS3	8	PP1	67	GND	68	MTMOD0
9	-CS4	10	3.3V	69	-R_CAS0/DQM 0	70	1.8V
11	1.8V	12	PP2	71	-R_CAS1/DQM 1	72	CLKIN
13	-CS5	14	PP3	73	-R_CAS2/DQM 2	74	GND
15	-CS6	16	PP4	75	3.3V	76	-RSTO
17	-CS7	18	GND	77	-R_CAS3/DQM 3	78	1.8V
19	GND	20	PP5	79	-RDRAMW	80	BCLKO
21	-AS	22	PP6	81	-R_SRAS	82	GND
23	R/-W	24	PP7	83	GND	84	EDGESEL
25	-TA	26	1.8V	85	-R_SCAS	86	3.3V
27	3.3V	28	PSTDDATA7	87	R_SCKE	88	TXD0
29	-TS	30	PSTDDATA6	89	-BWE0	90	RXD0
31	-CF_RSTI*	32	GND	91	3.3V	92	-RTS0
33	-IRQ7	34	PSTDDATA5	93	-BWE1	94	-CTS0
35	GND	36	PSTDDATA4	95	-BWE2	96	GND
37	-IRQ5	38	3.3V	97	-BWE3	98	TXD1
39	-IRQ3	40	PSTDDATA3	99	GND	100	RXD1

Table 3-3. J2 Connector pin assignment (Continued)

Pin	Signal	Pin	Signal	Pin	Signal	Pin	Signal
41	-IRQ1	42	PSTDDATA2	101	SCL	102	-RTS1
43	1.8V	44	GND	103	SDA	104	-CTS1
45	-BR	46	PSTDDATA1	105	GND	106	1.8V
47	-BD	48	PSTDDATA0	107	1.8V	108	1.8V
49	-BG	50	1.8V	109	3.3V	110	3.3V
51	GND	52	PSTCLK	111	-A31	112	-CS_FPCIBD*
53	TOUT1	54	GND	113	5V	114	5V
55	TOUT0	56	MTMOD3	115	5V	116	5V
57	TIN0	58	MTMOD2	117	GND	118	GND
59	3.3V	60	1.8V	119	GND	120	GND

* -CFRSTI and -CS_FPCIBD are board specific control signals, NOT processor signals. See the schematics and PLD equations in the appendix.

3.6.2 The Debug Connector J5

The MCF5407 does have background Debug Port, Real-Time Trace Support, and Real-Time Debug Support. The necessary signals are available at connector J5. Figure 3-1 shows the J5 Connector pin assignment shows the pin assignment.

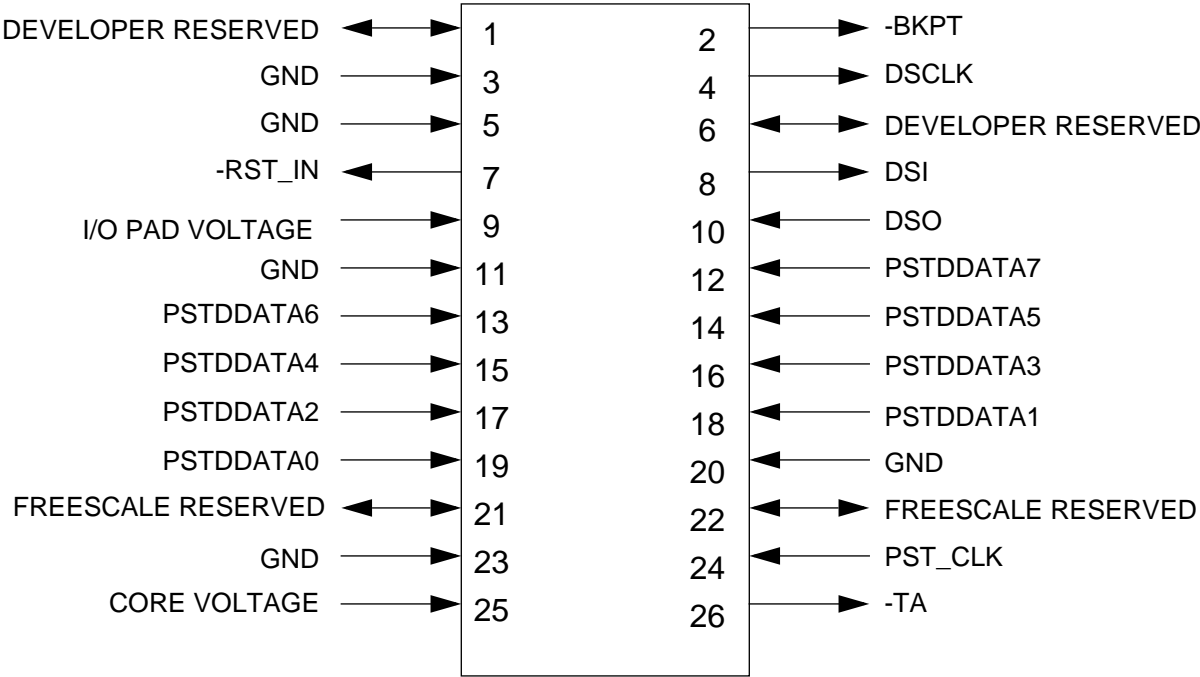


Figure 3-1. The J5 Connector pin assignment

Freescale Semiconductor, Inc.

Appendix A

Configuring dBUG for Network Downloads

The dBUG module has the ability to perform downloads over an Ethernet network using the Trivial File Transfer Protocol, TFTP. Prior to using this feature, several parameters are required for network downloads to occur. The information that is required and the steps for configuring dBUG are described below.

A.1 Required Network Parameters

For performing network downloads, dBUG needs 6 parameters; 4 are network-related, and 2 are download-related. The parameters are listed below, with the dBUG designation following in parenthesis.

All computers connected to an Ethernet network running the IP protocol need 3 network-specific parameters. These parameters are:

Internet Protocol, IP, address for the computer (client IP),
IP address of the Gateway for non-local traffic (gateway IP), and
Network netmask for flagging traffic as local or non-local (netmask).

In addition, the dBUG network download command requires the following three parameters:

IP address of the TFTP server (server IP),
Name of the file to download (filename),
Type of the file to download (filetype of S-record, COFF, ELF, or Image).

Your local system administrator can assign a unique IP address for the board, and also provide you the IP addresses of the gateway, netmask, and TFTP server. Fill out the lines below with this information.

Client IP: ____ . ____ . ____ . ____ (IP address of the board)
Server IP: ____ . ____ . ____ . ____ (IP address of the TFTP server)
Gateway: ____ . ____ . ____ . ____ (IP address of the gateway)

A.2 Configuring dBUG Network Parameters

Once the network parameters have been obtained, the Rom Monitor must be configured. The following commands are used to configure the network parameters.

```
set client <client IP>
set server <server IP>
set gateway <gateway IP>
set netmask <netmask>
set mac <addr>
```

For example, the TFTP server is named 'santafe' and has IP address 123.45.67.1. The board is assigned the IP address of 123.45.68.15. The gateway IP address is 123.45.68.250, and the netmask is 255.255.255.0. The commands to dBUG are:

```
set client 123.45.68.15
set server 123.45.67.1
set gateway 123.45.68.250
set netmask 255.255.255.0
set mac 00:CF:54:07:03:01
```

The last step is to inform dBUG of the name and type of the file to download. Prior to giving the name of the file, keep in mind the following.

Most, if not all, TFTP servers will only permit access to files starting at a particular sub-directory. (This is a security feature which prevents reading of arbitrary files by unknown persons.) For example, SunOS uses the directory /tftp_boot as the default TFTP directory. When specifying a filename to a SunOS TFTP server, all filenames are relative to /tftp_boot. As a result, you normally will be required to copy the file to download into the directory used by the TFTP server.

A default filename for network downloads is maintained by dBUG. To change the default filename, use the command:

```
set filename <filename>
```

When using the Ethernet network for download, either S-record, COFF, ELF, or Image files may be downloaded. A default filetype for network downloads is maintained by dBUG as well. To change the default filetype, use the command:

```
set filetype <srecord|coff|elf|image>
```

Continuing with the above example, the compiler produces an executable COFF file, 'a.out'. This file is copied to the /tftp_boot directory on the server with the command:

```
rcp a.out santafe:/tftp_boot/a.out
```

Change the default filename and filetype with the commands:

```
set filename a.out
```

set filetype coff

Finally, perform the network download with the 'dn' command. The network download process uses the configured IP addresses and the default filename and filetype for initiating a TFTP download from the TFTP server.

A.3 Troubleshooting Network Problems

Most problems related to network downloads are a direct result of improper configuration. Verify that all IP addresses configured into dBUG are correct. This is accomplished via the 'show' command.

Using an IP address already assigned to another machine will cause dBUG network download to fail, and probably other severe network problems. Make certain the client IP address is unique for the board.

Check for proper insertion or connection of the network cable. IS status LED lit indicating that network traffic is present?

Check for proper configuration and operation of the TFTP server. Most Unix workstations can execute a command named 'tftp' which can be used to connect to the TFTP server as well. Is the default TFTP root directory present and readable?

If 'ICMP_DESTINATION_UNREACHABLE' or similar ICMP message appears, then a serious error has occurred. Reset the board, and wait one minute for the TFTP server to time out and terminate any open connections. Verify that the IP addresses for the server and gateway are correct.





Appendix B ColdFire to ISA, IRQ7 and Reset Logic Abel Code

```

module isa2
title 'isa controller'
"June 18 '00 version v4 of the 5407
"isa2 device 'ispLSI';
;*****"
;"This abel file contains the code for a NE2000 compatible ethernet"
;"for the 5407 Coldfire processor as well as reset"
;"It was targeted to Lattice ispLSI LV 2032 PLD "
;"CS: B25D "
;*****"
;*****"
;"Declaration Section "
;*****"
;" constants"
    C,P,X,Z,H,L = .C.,.P.,.X.,.Z.,1,0;
;*****"
DLYIOCHRDY0 node ISTYPE 'reg_d,buffer';
DLYIOCHRDY,ENDIT,END16,END8 node;
STARTISA node ISTYPE 'reg_d,buffer';
SBHE,IOR,IOW,ISAOE node;
DA,DLYDA node ISTYPE 'reg_d,buffer';
DAOE,CLK16MHZ node ISTYPE 'reg_d,buffer';

CLK8MHZ node ISTYPE 'reg_d,buffer';

```



```

BCLK0 node ISTYPE 'reg_d,buffer';
BCLK1 node ISTYPE 'reg_d,buffer';
BCLK2 node ISTYPE 'reg_d,buffer';

```

```

DIV6Q0 node ISTYPE 'reg_d,buffer';
DIV6Q1 node ISTYPE 'reg_d,buffer';

```

```

GNTANC_L      pin 3;          "Output - to Anchor 3042 to grant PCI bus
RST_L         pin 4;          "Output - to ColdFire reset
DB_CS_L       pin 5;          "Output - Data buffer enable for ethernet
A0IN          pin 6;          "INPUT - A0 received from CF through buffers
IOCHRDY       pin 7;          "Input - asserted by ethernet
CS0_L         pin 8;          "Input - Chip select 0 from ColdFire
IOCS16L       pin 9;          "Input - asserted by ethernet
SIZ1          pin 10;         "
XCLK0         pin 11;         "Input - global clock currently 50MHz
IOWL          pin 15;         "Input - write signal from ethernet
RD            pin 16;         "INPUT - R/W* from the ColdFire
DIV6Q2        pin 17 ISTYPE 'reg_d,buffer';
BALE          pin 18;         "Output - address latch enable
A0            pin 19;         "OUTPUT - A0 sent to the ethernet
CS1_L         pin 20;         "Input - Chip select 1 from ColdFire
CS2_L         pin 21;         "Input - Chip select 2 from ColdFire
CS3_L         pin 22;         "Input - From ColdFire
CS_FPCIBD_L   pin 25;         "Output - Chip selects 0,1 & 2 or'd for
data buffers
PORIN_L       pin 26;         "Input - Suppy Voltage Supervisor
GNTPCI_L      pin 27;         "Output - Grant signal to the PCI connector
ETHER_IRQ     pin 28;         "Input - Ethernet IRQ 3
IRQ3          pin 29;         "Output - IRQ 3 into the ColdFire
RST_H         pin 30;         "Output - to the Ethernet
REQPCI_L      pin 31;         "Input - request from the PCI connector
HIZ_L         pin 32;         "Output - to ColdFire *HIZ
IORL          pin 37;         "Input - read signal from ethernet
A31           pin 38;         "Input - A31 signal for CS to PCI controller
A16           pin 39;         "
TAL           pin 40;         "Input / Output - Transfer acknowledge

```




Freescale Semiconductor, Inc.

```

REQANC_L      pin 41;          "Input - request from the PCI controller
NOT_A31      pin 42;          "Output - Inverted A31 for CS to PCI
controller
SIZ0         pin 43;
BDM_RST_L    pin 44;          "Input - BDM reset input

```

```

; "*****"
; " Lattice attributes      "
; "*****"
pLSI property 'CLK XCLK0 CLK0 ';
pLSI property 'CLK CLK8MHZ SLOWCLK ';
pLSI property 'ISP ON';
pLSI property 'PULLUP ON';
pLSI property 'Y1_AS_RESET OFF';

; "-----"
; " Output inverter macro  "
; "-----"
OB21 MACRO (X00, A0)
    {
        ?X00 = !?A0;
    };

; "-----"
; " Tristate Output inverter macro "
; "-----"
OT21 MACRO (X00, A0, OE)
    {
        ?X00.OE = ?OE;
        ?X00 = !?A0;
    };

```

Freescale Semiconductor, Inc.

```
{
    [?Q0..?Q2].clk = ?CLK;
    ?Q0.D = ?Q0.Q & !?CS $ ?EN & !?CS ;
    ?Q1.D = ?Q1.Q & !?CS $ ( ?Q0.Q & ?EN & !?CS );
    ?Q2.D = ?Q2.Q & !?CS $ ( ?Q0.Q & ?Q1.Q & ?EN & !?CS );
};
```

equations

```
;"#####"
;"Bidirectional circuit equations"
;"#####"
```

```
OT21 (TAL, DA, DAOE)
OB21 (IORL, IOR)
OB21 (IOWL, IOW)
OB21 (RST_L, RST_H)
```

```
IRQ3 = !ETHER_IRQ;
```

```
!DB_CS_L = !RST_H & !CS3_L;
```

```
!CS_FPCIBD_L = !RST_H & (!CS0_L # !CS1_L # !CS2_L);
```

```
NOT_A31 = !A31;
```

```
!GNTPCI_L = !REQPCI_L & GNTANC_L;           " Grant PCI bus if not in use
by the PCI                                   " controller.

!GNTANC_L = !REQANC_L & GNTPCI_L;           " Grant PCI controller the bus
if not                                       " already granted to the PCI connector.
```

```
RST_H = !PORIN_L # !BDM_RST_L;
```

```
HIZ_L = 1;
```



```
DAOE := !CS3_L # DA;

DAOE.clk = XCLK0 ;

A0 = !SIZ1 & SIZ0 & !A0IN #
      A16 ;

SBHE = STARTISA & !SIZ1 & SIZ0 & !A0IN #
       STARTISA & SIZ1 & !SIZ0 & !A0IN #
       STARTISA & !SIZ1 & !SIZ0 & !A0IN ;

CLK16MHZ := !CLK16MHZ ;

CLK16MHZ.clk = XCLK0 ;

CLK8MHZ := CLK8MHZ & !CLK16MHZ #
          !CLK8MHZ & CLK16MHZ ;

CLK8MHZ.clk = XCLK0 ;

CLK4MHZ := CLK4MHZ $ ( CLK16MHZ & CLK8MHZ ) ;

CLK4MHZ.clk = XCLK0 ;

for Ethernet                                " Total div. 6 to produce 8.333MHz
                                           " controller - Davicom DM9008
from 50MHz - XCLK0.                         " First D-type in divide by 3
DIV6Q0 := !DIV6Q0 & !DIV6Q1 ;              "
chain using XCLK0.

DIV6Q0.clk = XCLK0 ;

DIV6Q1 := DIV6Q0 & !DIV6Q1 ;               " Second D-type in div. by 3
chain using XCLK0.
```

Freescale Semiconductor, Inc.

DIV6Q2.clk = DIV6Q1 ;

DA := !CS3_L & END16 & ENDIT & !IOCS16L & RD & !CLK8MHZ & SBHE #
 !CS3_L & END8 & ENDIT & RD & !CLK8MHZ #
 DLYDA & !CS3_L #
 DA & !CS3_L;

DA.clk=XCLK0;

DLYDA :=!CS3_L & END16 & ENDIT & !IOCS16L & !RD & !CLK8MHZ & SBHE #
 !CS3_L & END8 & ENDIT & IOCS16L & !RD & !CLK8MHZ #
 !CS3_L & END8 & ENDIT & !SBHE & !RD & !CLK8MHZ ;

DLYDA.clk=XCLK0;

STARTISA := !CS3_L & !ENDIT ;

STARTISA.clk = CLK8MHZ ;

CBU43 (BCLK0,BCLK1,BCLK2,CLK8MHZ,STARTISA,!STARTISA)

BALE = STARTISA & !CLK8MHZ & !BCLK2 & !BCLK1 & !BCLK0 & !IOR & !IOW ;

IOR = STARTISA & !BCLK2 & !BCLK1 & BCLK0 & !CLK8MHZ & RD #
 IOR & !CS3_L ;

IOW = STARTISA & !BCLK2 & !BCLK1 & BCLK0 & !CLK8MHZ & !RD #
 IOW & STARTISA ;

END16 = !BCLK2 & BCLK1 & !BCLK0 & !CLK8MHZ#
 END16 & STARTISA ;

END8 = BCLK2 & !BCLK1 & BCLK0 & !CLK8MHZ #
 END8 & STARTISA ;

ENDIT = END16 & !IOCS16L & IOCHRDY & DLYIOCHRDY0 & DLYIOCHRDY & SBHE & STARTISA#



```

END8 & IOCS16L & IOCHRDY & DLYIOCHRDY0 & DLYIOCHRDY & STARTISA #
END8 & !SBHE & IOCHRDY & DLYIOCHRDY0 & DLYIOCHRDY & STARTISA ;

```

```
DLYIOCHRDY0:= IOCHRDY;
```

```
DLYIOCHRDY0.clk = CLK8MHZ ;
```

```
DLYIOCHRDY = IOCHRDY & CLK8MHZ #
          DLYIOCHRDY & !CLK8MHZ ;
```

```
;"*****"
```

```
;" Test Vector Section"
```

```
;"*****"
```

```
test_vectors 'HIZ_L Test Vector'
```

```
([XCLK0,PORIN_L,BDM_RST_L,CS3_L]->[RST_H])
```

```
[P,1,1,1,]->[X];
```

```
[C,1,1,1,]->[X];
```

```
[C,1,0,1,]->[X];
```

```
[C,1,0,1,]->[X];
```

```
[C,1,1,1,]->[X];
```

```
[C,1,1,1,]->[X];
```

```
[C,0,1,1,]->[X];
```

```
[C,0,1,1,]->[X];
```

```
[C,0,1,1,]->[X];
```

```
[C,1,1,1,]->[X];
```

```
[C,1,1,0,]->[X];
```

```
[C,1,1,1,]->[X];
```

```
[C,1,1,1,]->[X];
```

```
[C,1,1,1,]->[X];
```

```
[C,0,1,1,]->[X];
```

```
[C,0,1,1,]->[X];
```

```
[C,0,1,1,]->[X];
```

```
[C,0,1,1,]->[X];
```



```
[C,0,1,1,]->[X];  
[C,0,1,1,]->[X];  
[C,1,1,1,]->[X];  
[C,1,1,1,]->[X];  
[C,1,1,1,]->[X];  
[C,1,1,1,]->[X];  
[C,1,1,1,]->[X];  
[C,1,1,0,]->[X];  
[C,1,1,1,]->[X];  
[C,1,1,1,]->[X];  
[C,1,1,1,]->[X];
```

end



Appendix C SDRAM MUX PAL Equation

```

module SDRAMmux
title 'SDRAM Mux Controller for the MCF5407EVM'
"MAR 16 '99 First revision of the code based on Bill Benners application note"
"5307mux device 'ispLSI22LV10';
;*****"
;"This abel file contains the code to mux the address lines"
;"allowing the MCF5407 to support all 168pin 1Bank x 64 bit PC compliant DIMMS"
;"It was targeted to Lattice ispLSI 22LV10 PAL  "
;"All logic with this PAL is com
;"CS:4C86  "
;*****"
;*****"
;"Declaration Section  "
;*****"
;" constants"
    C,P,X,Z,H,L = .C.,.P.,.X.,.Z.,1,0;
;*****"

```

M0	PIN	3;	"Mux Input (0)
M1	PIN	4;	"Mux Input (1)
M2	PIN	5;	"Mux Input (2)
M3	PIN	6;	"Mux Input (3)
CA18	PIN	2;	"Input - ColdFire driven address (18)

Freescale Semiconductor, Inc.

```

CA23    PIN    12;           "Input - ColdFire driven address (23)
CA24    PIN    13;           "Input - ColdFire driven address (24)
CA25    PIN    16;           "Input - ColdFire driven address (25)
CA26    PIN    23;           "Input - ColdFire driven address (26)
CA27    PIN    21;           "Input - ColdFire driven address (27)
SA8     PIN    24;           "Output - SDRAM input address (A8)
SA9     PIN    19;           "Output - SDRAM input address (A9)
SA10    PIN    25;           "Output - SDRAM input address (A10)
SA11    PIN    17;           "Output - SDRAM input address (A11)
SA12    PIN    27;           "Output - SDRAM input address (A12)
SA13    PIN    20;           "Output - SDRAM input address (A13)
BA0     PIN    18;           "Output - SDRAM input address (BA0)
BA1     PIN    26;           "Output - SDRAM input address (BA1)

```

```
select = [M3,M2,M1,M0];
```

```

; "*****"
; " Lattice attributes          "
; "*****"

"pLSI property 'CLK XCLK0 CLK0 ' ;
"pLSI property 'CLK CLK8MHZ SLOWCLK ' ;
pLSI property 'ISP ON' ;
pLSI property 'PULLUP ON' ;
pLSI property 'Y1_AS_RESET OFF' ;

```

```
equations
```

```

;"*****"
;"COMBINATORIAL Logic Only"
;"*****"

```

```

when (select == 0) then {
    SA8=CA18;
    SA9=CA19;
    SA10=CA20;
    BA0=CA21;

```




```
        BA1=CA22;
    }

when (select == 1) then {
    SA8=CA19;
    SA9=CA20;
    SA10=CA21;
    BA0=CA22;
    BA1=CA23;
}

when (select == 2) then {
    SA8=CA19;
    SA9=CA21;
    SA10=CA22;
    BA0=CA23;
    BA1=CA24;
}

when (select == 3) then {
    SA8=CA18;
    SA9=CA19;
    SA10=CA20;
    SA11=CA21;
    BA0=CA22;
    BA1=CA23;
}

when (select == 4) then {
    SA8=CA19;
    SA9=CA20;
    SA10=CA21;
    SA11=CA22;
    BA0=CA23;
    BA1=CA24;
}
```

```

        SA9=CA21;
        SA10=CA22;
        SA11=CA23;
        BA0=CA24;
        BA1=CA25;
    }

when (select == 6) then {
        SA8=CA19;
        SA9=CA21;
        SA10=CA23;
        SA11=CA24;
        BA0=CA25;
        BA1=CA26;
    }

when (select == 7) then {
        SA8=CA18;
        SA9=CA19;
        SA10=CA20;
        SA11=CA21;
        SA12=CA22;
        BA0=CA23;
        BA1=CA24;
    }

when (select == 8) then {
        SA8=CA19;
        SA9=CA20;
        SA10=CA21;
        SA11=CA22;
        SA12=CA23;
        BA0=CA24;
        BA1=CA25;
    }

when (select == 9) then {
        SA8=CA19;
        SA9=CA21;

```



```

        SA10=CA22;
        SA11=CA23;
        SA12=CA24;
        BA0=CA25;
        BA1=CA26;
    }

when (select == ^h0A) then {
    SA8=CA19;
    SA9=CA21;
    SA10=CA23;
    SA11=CA24;
    SA12=CA25;
    BA0=CA26;
    BA1=CA27;
}

"*****"
" Test Vector Section"
"*****"

test_vectors 'M0, M1, M2, M3 Test Vector'

([M3, M2, M1, M0, CA18, CA19, CA20, CA21, CA22, CA23, CA24, CA25, CA26,
CA27]->[SA8, SA9, SA10, SA11, SA12, BA0, BA1])

[0,0,0,0,1,0,1,0,1,0,1,0,1,0]->[X,X,X,X,X,X,X];
[0,0,0,1,1,0,1,0,1,0,1,0,1,0]->[X,X,X,X,X,X,X];
[0,0,1,0,1,0,1,0,1,0,1,0,1,0]->[X,X,X,X,X,X,X];
[0,0,1,1,1,0,1,0,1,0,1,0,1,0]->[X,X,X,X,X,X,X];
[0,1,0,0,1,0,1,0,1,0,1,0,1,0]->[X,X,X,X,X,X,X];
[0,1,0,1,1,0,1,0,1,0,1,0,1,0]->[X,X,X,X,X,X,X];
[0,1,1,0,1,0,1,0,1,0,1,0,1,0]->[X,X,X,X,X,X,X];
[0,1,1,1,1,0,1,0,1,0,1,0,1,0]->[X,X,X,X,X,X,X];
[1,0,0,0,1,0,1,0,1,0,1,0,1,0]->[X,X,X,X,X,X,X];
[1,0,0,1,1,0,1,0,1,0,1,0,1,0]->[X,X,X,X,X,X,X];

end

```

Freescale Semiconductor, Inc.



Appendix D Evaluation Board BOM

Table D-1. MCF5407EVM_BOM

Item	Qty	Reference	Part	Function
1	1	BT1	VARTA CR2032PCB	Battery for RTC (not populated)
2	41	C1,C2,C3,C4,C13,C14,C15,C16,C17,C18,C37,C38,C40,C41,C42,C43,C44,C62,C63,C64,C65,C66,C67,C79,C80,C82,C83,C86,C89,C90,C96,C99,C103,C104,C105,C106,C107,C108,C109,C110,C125	0.1 uF	SMT Capacitor
3	53	C5,C6,C7,C8,C9,C10,C19,C20,C21,C22,C23,C24,C45,C46,C47,C48,C49,C50,C51,C53,C54,C55,C56,C57,C58,C59,C60,C61,C68,C69,C70,C71,C72,C73,C74,C75,C76,C77,C84,C85,C87,C91,C92,C93,C111,C112,C113,C114,C115,C116,C118,C119,C120	1nF	SMT Capacitor
4	6	C11,C30,C31,C32,C33,C34	220pF	SMT Capacitor
5	7	C12,C35,C94,C121,C122,C123,C124	10 uF TANT.	SMT Capacitor
6	9	C25,C26,C27,C28,C29,C36,C39,C81,C88	10nF	SMT Capacitor
7	1	C52	0.1uF	SMT Capacitor
8	1	C95	100uF TANT.	SMT Capacitor
9	2	C97,C101	AVX TPSE220M10RLM	SMT Capacitor
10	1	C98	AVX TPSE330K10CLR	SMT Capacitor
11	1	C100	1000uF 35V	SMT Capacitor
12	6	D1,D3,D5,D7,D12,D13	LTL-94PCK-TA	SMT LED

Freescale Semiconductor, Inc.

Table D-1. MCF5407EVM_BOM (Continued)

Item	Qty	Reference	Part	Function
15	2	D14,D15	MRA4003T3	SMT Power Diode
16	5	D16,D18,D19,D20,D21	MBRS340T3	SMT Schottky Power Diode
17	1	F1	MULTICOMP MCHTE-15M	Fuse
18	17	JP1,JP2,JP3,JP4,JP5,JP6,JP7,J P8,JP9,JP10,JP11,JP12,JP13,J P14,JP19,JP25,JP29	JP2	2-way Jumpers
19	13	JP15,JP16,JP17,JP18,JP20,JP2 1,JP22,JP23,JP24,JP26,JP27,J P28,JP30	JP3	3-way Jumpers
20	2	J1,J2	AMP 177983-5	120-way SMT Receptacle expansion connectors
21	1	J3		Universal 32-bit PCI Connector
22	1	J4	JUMP1X8	Reset configuration jumpers
23	1	J5	HJ2X13 KEYED w/ plastic outline	BDM connector
24	1	J6	I2C Molex Conn. 71565	I2C socket (not populated)
25	1	J7	AMP350210-1	3-way +/-12V connector
26	1	L2	FERRITE_BEAD	Inductor for Ethernet controller supply filter
27	2	L3,L4	SIEMENS B82111-B-C24	25uH PSU switching inductors
28	1	P1	RJ45 thru board connector	
29	1	P3	Augat 25V-02	PSU bare wire connector
30	2	P5,P4	RS232 port thru board connectors DB9	
31	1	P6	Switchcraft RAPC712	PSU barrel connector
32	23	RP1,RP4,RP6,RP7,RP8,RP9,R P10,RP11,RP12,RP15,RP16,RP 17,RP18,RP19,RP20,RP21,RP2 2,RP24,RP25,RP26,RP30,RP31 ,RP34	PHILIPS ARV241-4K7	SMT 4K7x4 resistor packs
33	3	RP2,RP3,RP5	PHILIPS ARV241-270	SMT 270x4 resistor packs
34	6	RP13,RP14,RP27,RP28,RP29,R P32	PHILIPS ARV241-22	SMT 22x4 resistor packs
35	1	RP23	PHILIPS ARV241-22	SMT 22x4 resistor pack
36	1	RP33	PHILIPS ARV241-4K7	SMT 4K7x4 resistor pack
37	4	RP35,RP36,RP37,RP38	PHILIPS ARV241-4K7	SMT 4K7x4 resistor packs

Table D-1. MCF5407EVM_BOM (Continued)

Item	Qty	Reference	Part	Function
38	3	R1,R2,R23		SMT 4K7 resistors
39	1	R3		SMT 10 resistor
40	1	R4		SMT 22 resistor
41	2	R5,R6	51	
42	3	R7,R10,R11		SMT 270 resistors
43	1	R8		SMT 1K resistor
44	1	R9		SMT 3K resistor
45	1	R12		SMT 4.7K resistor
46	4	R13,R16,R17,R18		SMT 10K resistors
47	1	R14		SMT 120 resistor
48	1	R15		SMT 56 resistor
49	1	S1	KS11R23CQD	Hard reset red push-button switch
50	1	S2	KS11R22CQD	/IRQ7 black push-button switch
51		TP1,TP2,TP3,TP4,TP5,TP6,TP7,TP8,TP9,TP10	TEST POINTS	
52	1	U1	MCF5407FT150	MCF5407 ColdFire processor
53	5	U2,U3,U4,U5,U7	MC74LCX16245DT	16-bit wide bus transceiver
54	1	U6	MC74LCX16244DT	16-bit wide bus buffer
55	1	U8	DM9008F	Davicom 10BaseT ethernet controller
56	1	U9	AT93C46-10SC-2.7-8S1	I2C E2PROM not populated during assembly
57	1	U10	OSC 20 MHZ	Oscillator for ethernet clock.
58	1	U11	FD22-101G	Halo ethernet filter
59	1	U12	Am29PL160C-120	AMD 1Mx16 burst Flash memory
60	1	U13	MCM69F737TQ11*	Burst FSRAM (not populated)
61	1	U14	M41T11M	I2C Real-time clock
62	1	U16	X24C04S8 -1.8	I2C E2PROM (not populated)
63	1	U17	Anchor AN3042Q	Cypress PCI Controller
64	1	U18	ispLSI2032V-100LJ	2000 series Lattice FPGA SMT

Freescale Semiconductor, Inc.

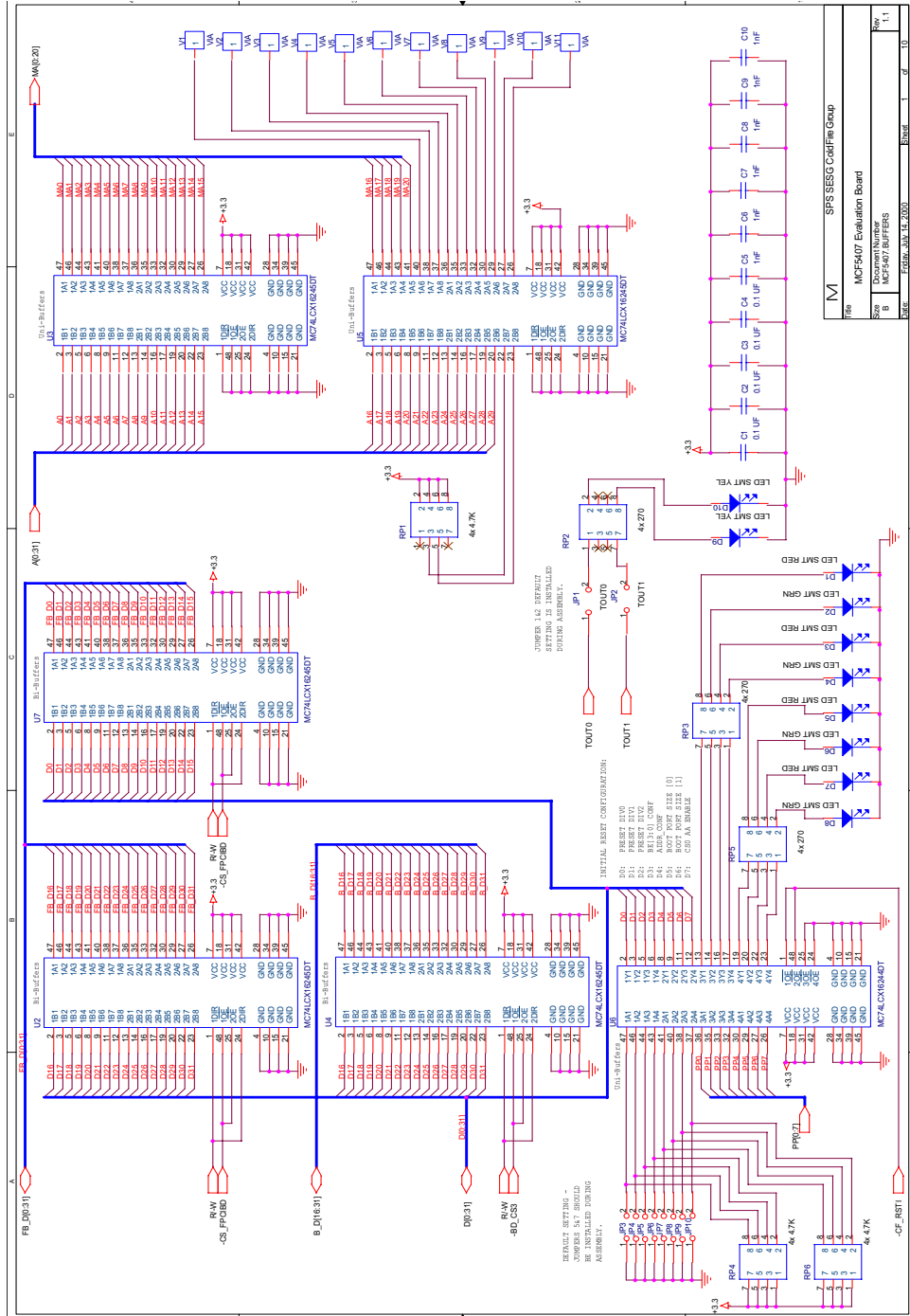
Table D-1. MCF5407EVM_BOM (Continued)

Item	Qty	Reference	Part	Function
68	1	U22	LT1086CM	3.3V to 1.8V regulator
69	1	U23	LM2596S-3.3	5V to 3.3V regulator
70	1	U24	CDC351DB	Clock driver IC 1 to 10 way
71		U25	LM2596S-5	+6.5V to +14V I/P to 5V regulator
72	1	U26	PC100 Unbuffered 1 Bank x 64 DIMM 8M or 16M, support for up to 512M	Volatile main system memory
73	1	U27	ispGAL22LV10	Lattice PAL - SDRAM multiplexing SMT
74	1	U28	MC145407DW	RS232 transceiver (plus charge pump)
75	1	U29	MC145406DW	RS232 transceiver
76	1	U30	OSC 33MHz	PCI clock
77	1	U31	MPC905D	Clock driver for 33MHz PCI clock signal, 1 to 6 way
78	11	V1,V2,V3,V4,V5,V6,V7,V8,V9,V 10,V11	VIA's	
79	1	Y1	32.768KHz	Real time clock watch crystal

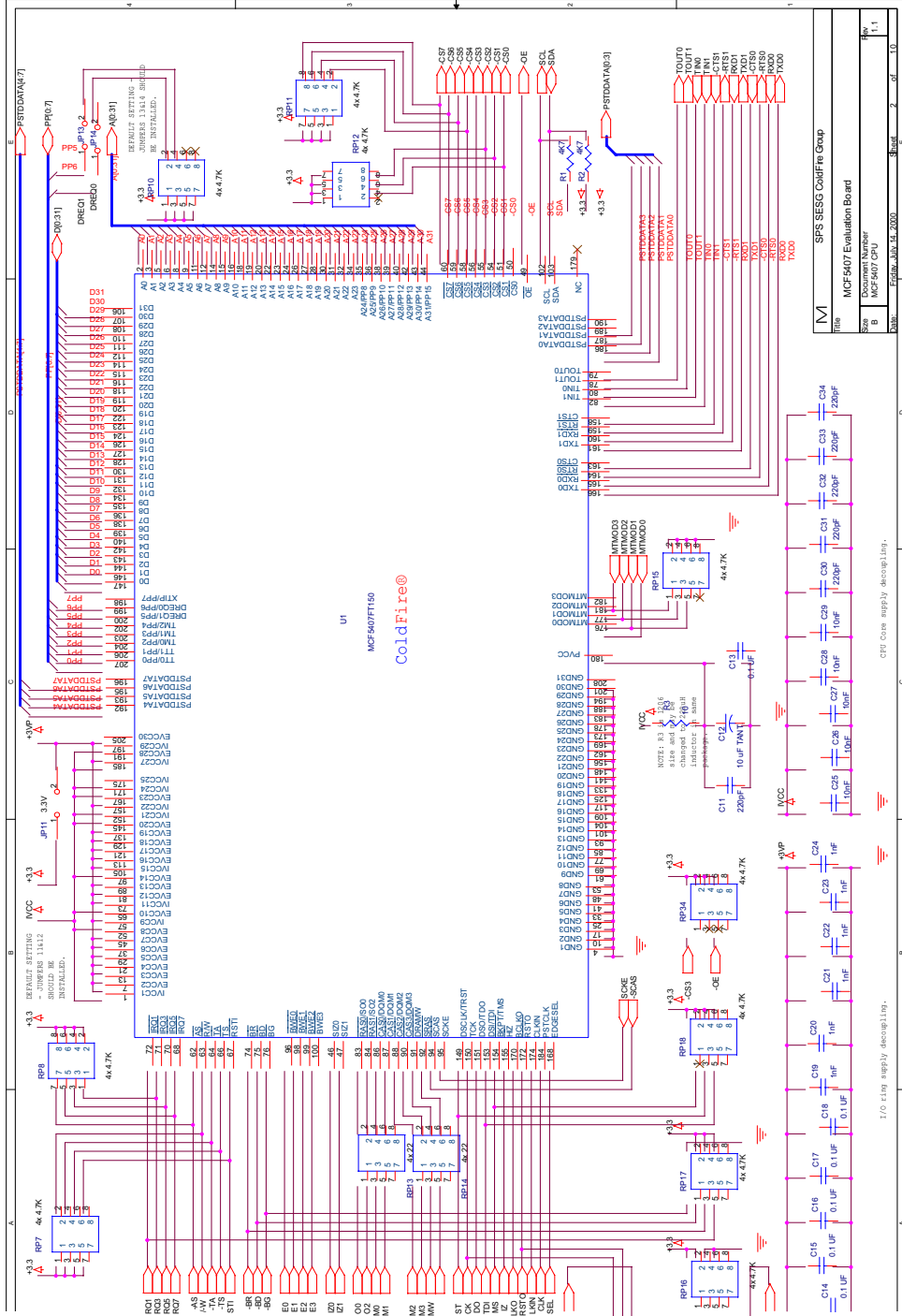
*Alternate Parts - Samsung K7B403625M, GalvantechGVT71128E36,ISSI IS61SF12836,
Micron MT58L128L36F1, GSI GS84036A, IDT 71V3577, Cypress CY7C1345



Appendix E Schematics



File	M	SFS SEBSG CodeFile Group
Docu	MCF5407	Evaluation Board
Size	B	MCF5407 BUFFERS
Rev	1.1	
Date	FRID, JUN 13, 2008	
Sheet	1	of 10



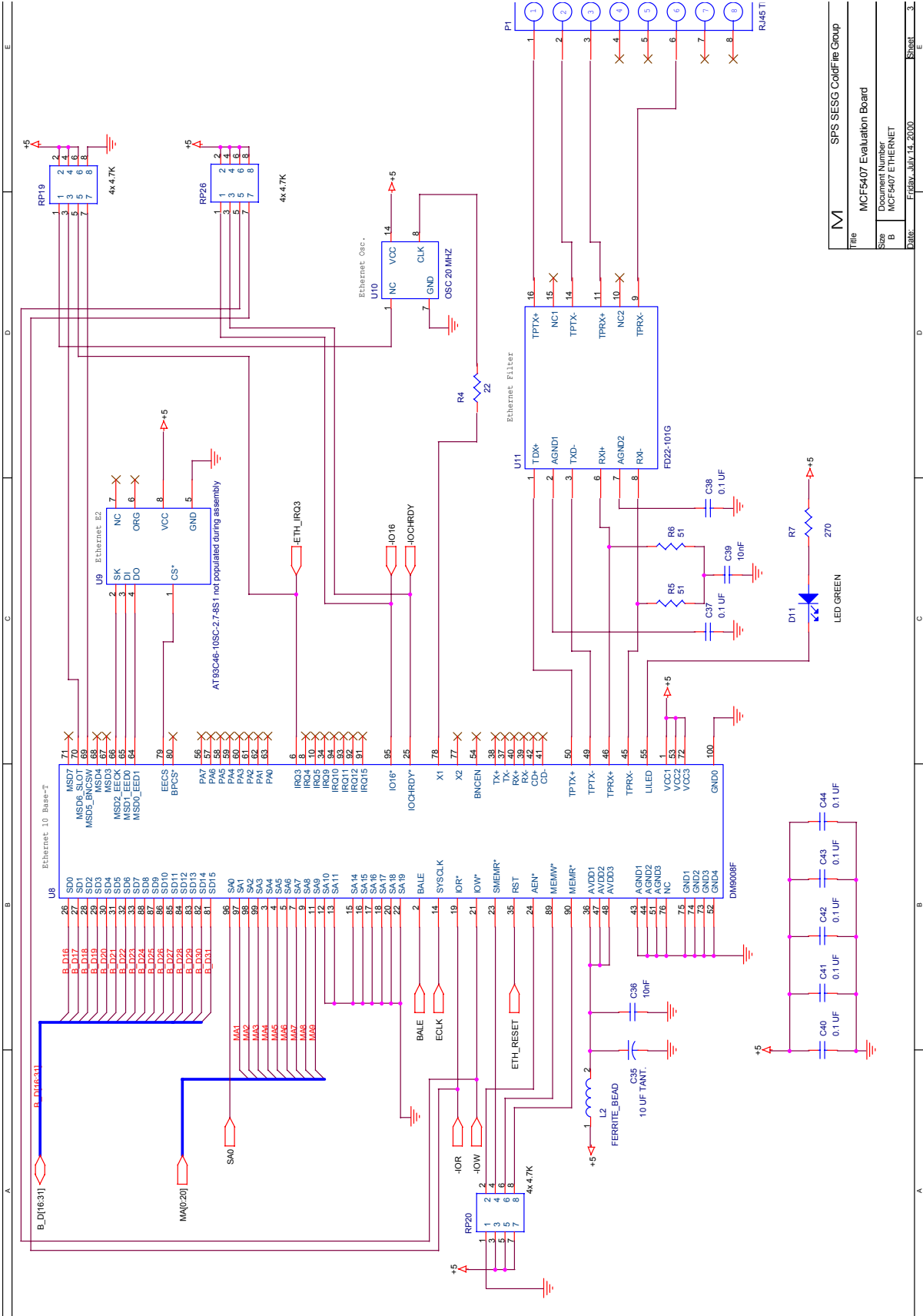
Rev	Document Number	Size	Part Number	Rev
1.1	MCF5407 CPU	B	MCF5407 CPU	1.1
2		2		2
10		10		10

SPS SESE ColdFire Group
MCF5407 Evaluation Board

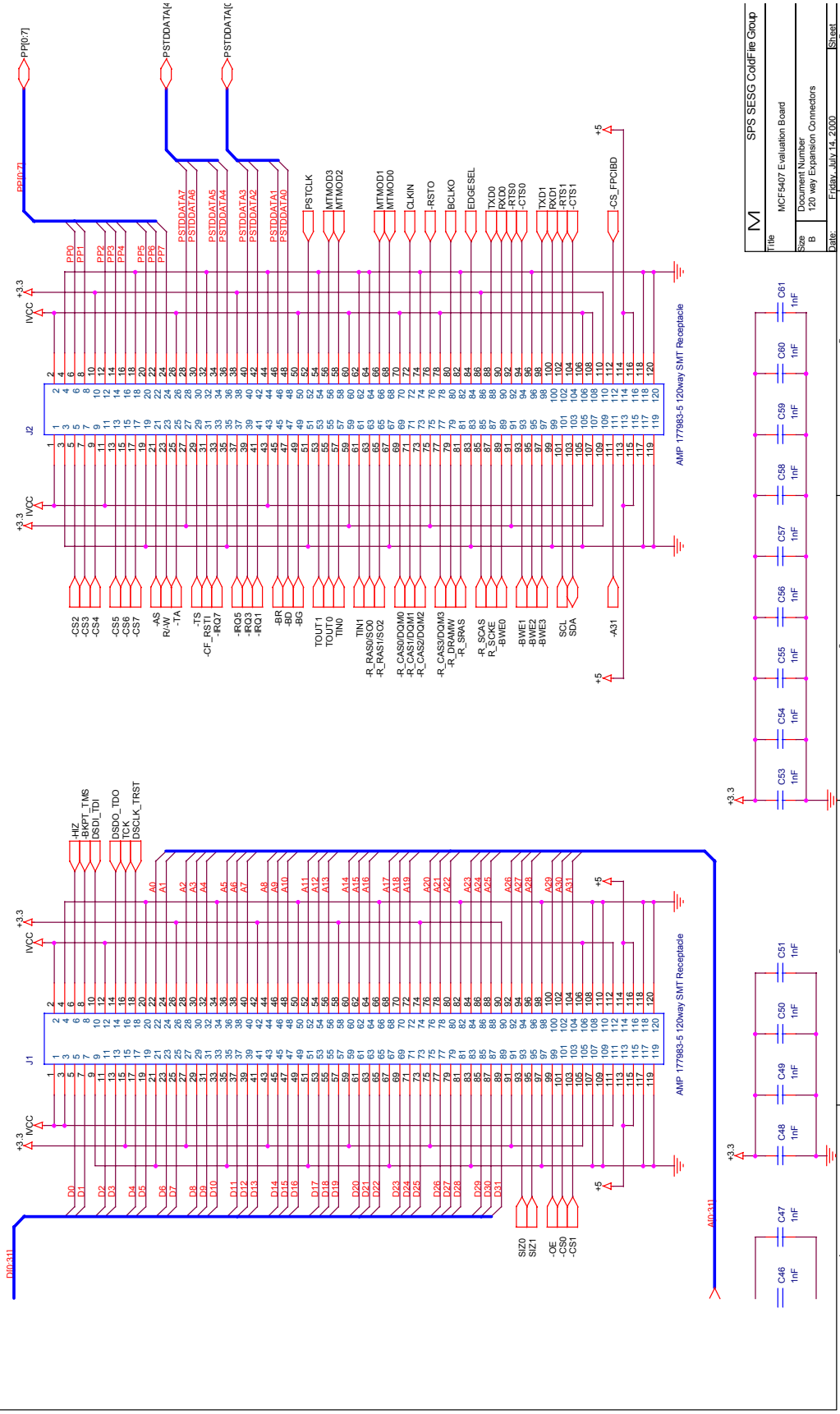
CPU Core supply decoupling.

I/O bus supply decoupling.

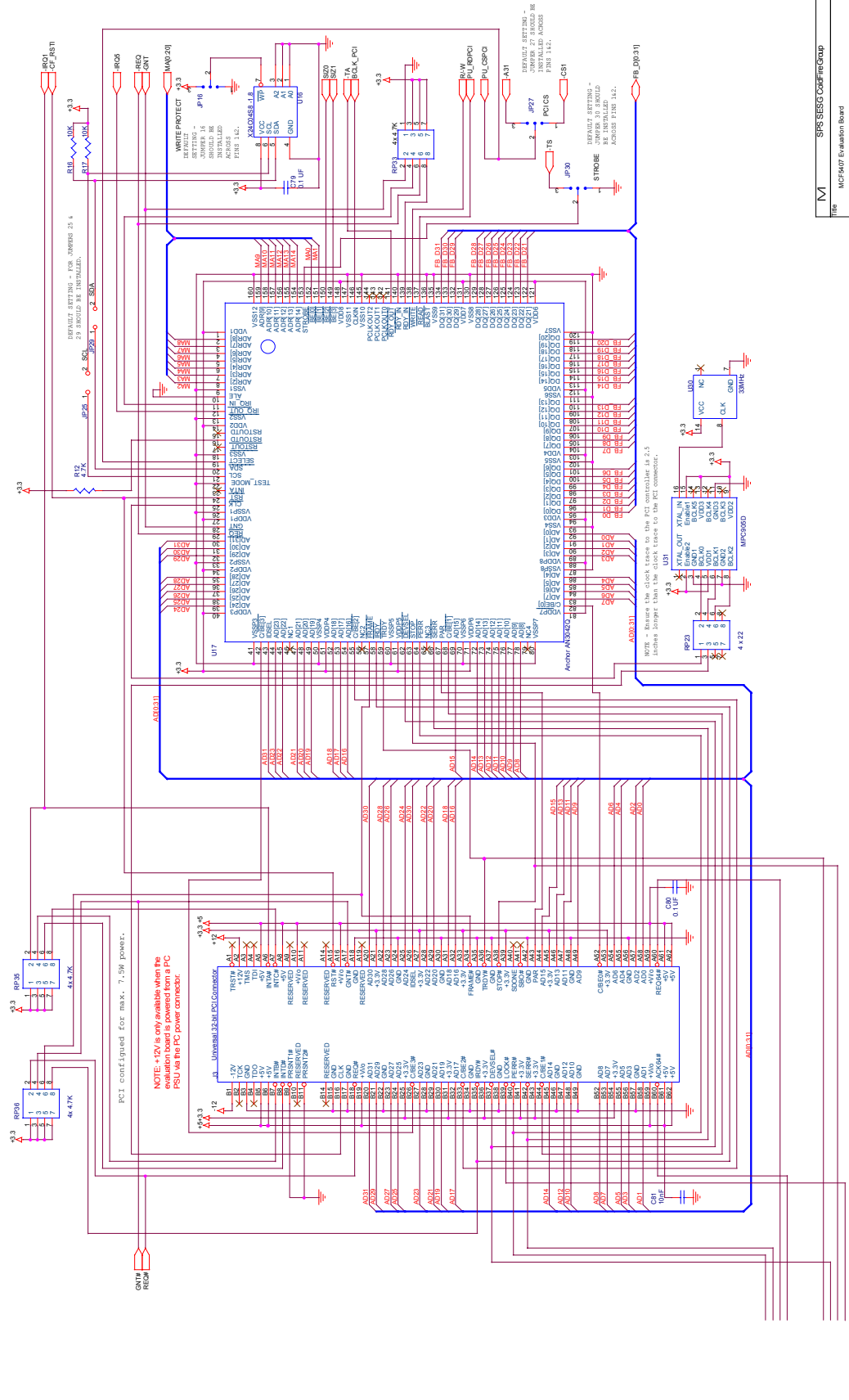
NOTE: 1. This is a 3.3V regulator. The size and type of capacitor should be chosen to match the regulator's output capacitor. The capacitor should be placed as close as possible to the regulator's output pin.



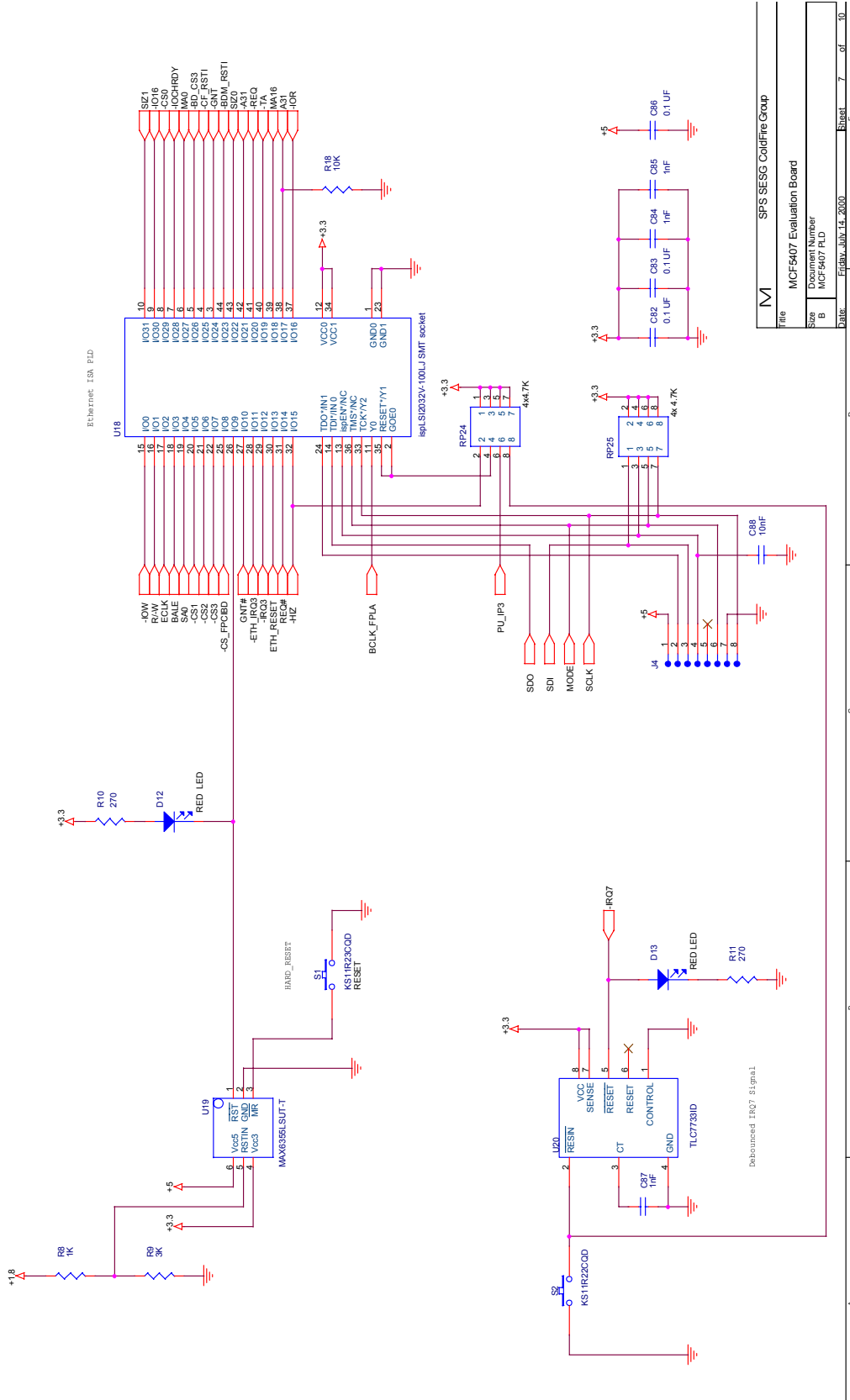
M	SPS SESSG ColdFire Group
Title	MCF5407 Evaluation Board
Size	Document Number
B	MCF5407 ETHERNET
Date	Feb 04, July 14, 2000
Sheet	3



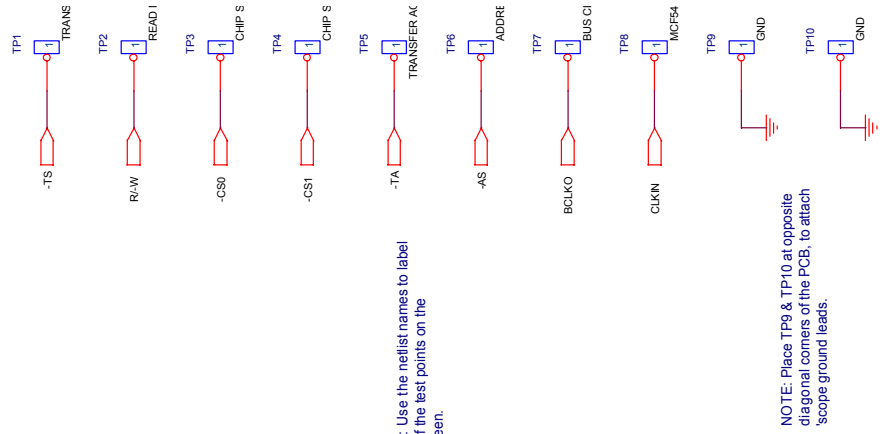
M	SPS SESG ColdFie Group
Title	MCF5407 Evaluation Board
Size	Document Number
B	120 way Expansion Connectors
Date	Friday, July 14, 2000
	Sheet
	E



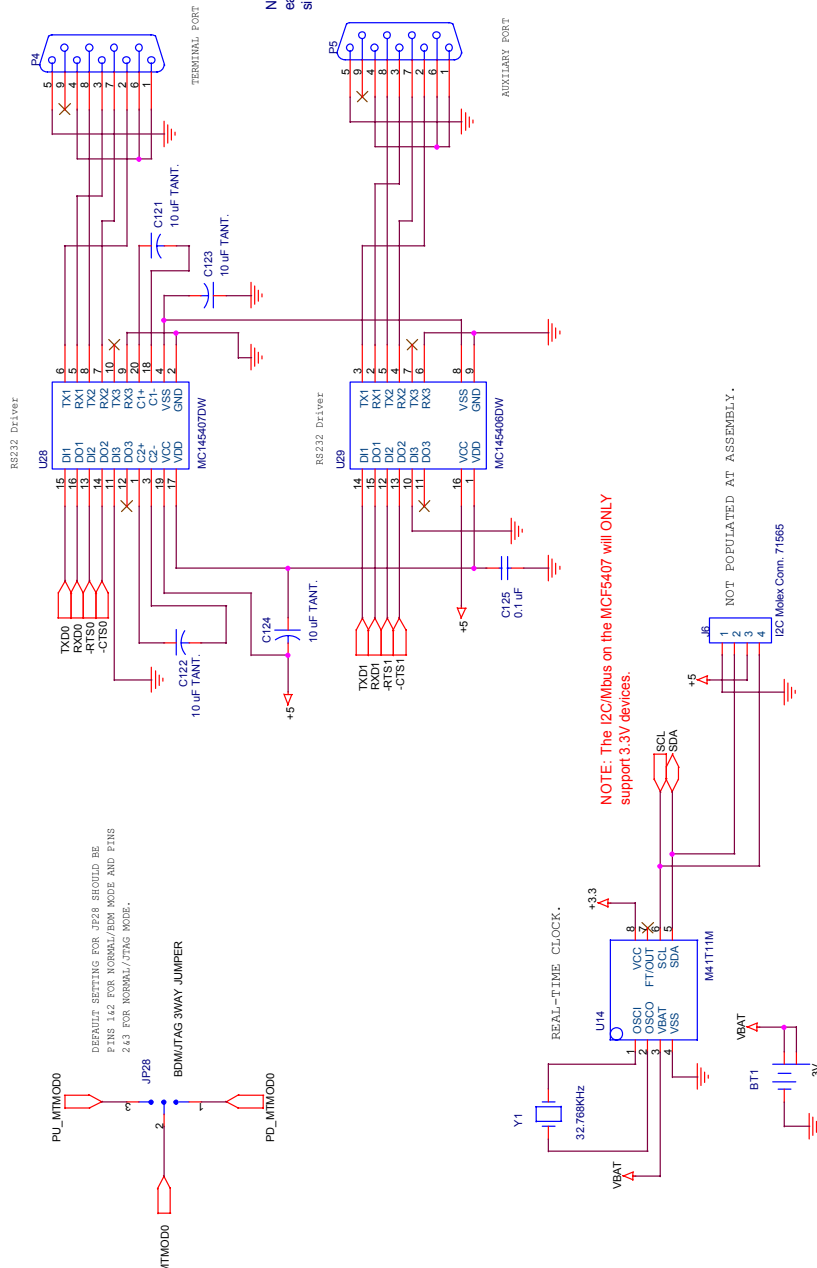
M	SPS-SESSO-ConfigComp
Rev	MCF5407 Evaluation Board
Doc	Document Number
C	MCF5407 PCI Interface
File	SPS-SESSO-ConfigComp



File	MCF5407 Evaluation Board
Size	MCF5407.PLD
Document Number	MCF5407.PLD
Date:	Friday, July 14, 2000
Sheet	7 of 10



NOTE: Place TP9 & TP10 at opposite diagonal corners of the PCB, to attach scope ground leads.



M		SPS SEGS ColdFire Group	
Title	MCF5407 Evaluation Board.		
Size	Document Number		
B	Serial Interface, Real-Time Clock & Test points.		
Date:	Friday, July 14, 2000	Sheet	10

A B C D E



Appendix F

Errata

1. The descriptions of the JP29 and JP25 on the back of the silkscreen table are wrong. Table 1-4 lists the correct functions.
2. The descriptions of the JP16 functionality on the back of the silkscreen are wrong. Table 1-2 lists the correct functions.
3. The pin numbering for U28, U29, and U24 on the silkscreen is reversed. Pin 11 on the silkscreen should be pin 1, pin 20 should be pin 10, etc..

How to Reach Us:

Home Page:

www.freescale.com

E-mail:

support@freescale.com

USA/Europe or Locations Not Listed:

Freescale Semiconductor
 Technical Information Center, CH370
 1300 N. Alma School Road
 Chandler, Arizona 85224
 +1-800-521-6274 or +1-480-768-2130
support@freescale.com

Europe, Middle East, and Africa:

Freescale Halbleiter Deutschland GmbH
 Technical Information Center
 Schatzbogen 7
 81829 Muenchen, Germany
 +44 1296 380 456 (English)
 +46 8 52200080 (English)
 +49 89 92103 559 (German)
 +33 1 69 35 48 48 (French)
support@freescale.com

Japan:

Freescale Semiconductor Japan Ltd.
 Headquarters
 ARCO Tower 15F
 1-8-1, Shimo-Meguro, Meguro-ku,
 Tokyo 153-0064
 Japan
 0120 191014 or +81 3 5437 9125
support.japan@freescale.com

Asia/Pacific:

Freescale Semiconductor Hong Kong Ltd.
 Technical Information Center
 2 Dai King Street
 Tai Po Industrial Estate
 Tai Po, N.T., Hong Kong
 +800 2666 8080
support.asia@freescale.com

For Literature Requests Only:

Freescale Semiconductor Literature Distribution Center
 P.O. Box 5405
 Denver, Colorado 80217
 1-800-441-2447 or 303-675-2140
 Fax: 303-675-2150
LDCForFreescaleSemiconductor@hibbertgroup.com

Information in this document is provided solely to enable system and software implementers to use Freescale Semiconductor products. There are no express or implied copyright licenses granted hereunder to design or fabricate any integrated circuits or integrated circuits based on the information in this document. Freescale Semiconductor reserves the right to make changes without further notice to any products herein. Freescale Semiconductor makes no warranty, representation or guarantee regarding the suitability of its products for any particular purpose, nor does Freescale Semiconductor assume any liability arising out of the application or use of any product or circuit, and specifically disclaims any and all liability, including without limitation consequential or incidental damages. "Typical" parameters which may be provided in Freescale Semiconductor data sheets and/or specifications can and do vary in different applications and actual performance may vary over time. All operating parameters, including "Typicals" must be validated for each customer application by customer's technical experts. Freescale Semiconductor does not convey any license under its patent rights nor the rights of others. Freescale Semiconductor products are not designed, intended, or authorized for use as components in systems intended for surgical implant into the body, or other applications intended to support or sustain life, or for any other application in which the failure of the Freescale Semiconductor product could create a situation where personal injury or death may occur. Should Buyer purchase or use Freescale Semiconductor products for any such unintended or unauthorized application, Buyer shall indemnify and hold Freescale Semiconductor and its officers, employees, subsidiaries, affiliates, and distributors harmless against all claims, costs, damages, and expenses, and reasonable attorney fees arising out of, directly or indirectly, any claim of personal injury or death associated with such unintended or unauthorized use, even if such claim alleges that Freescale Semiconductor was negligent regarding the design or manufacture of the part.

