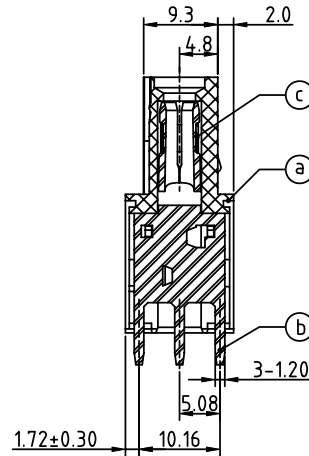
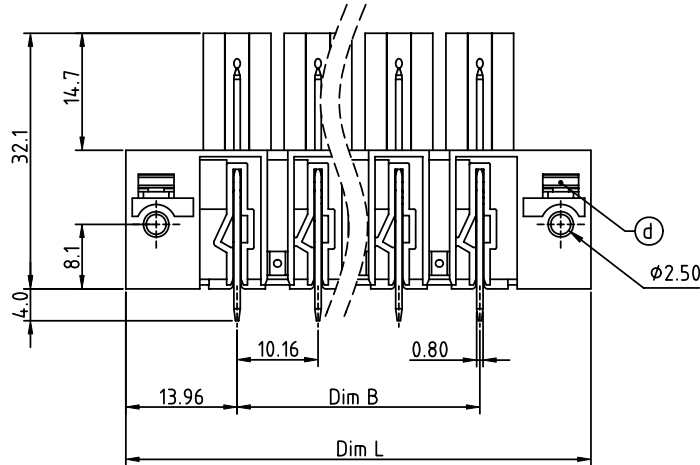
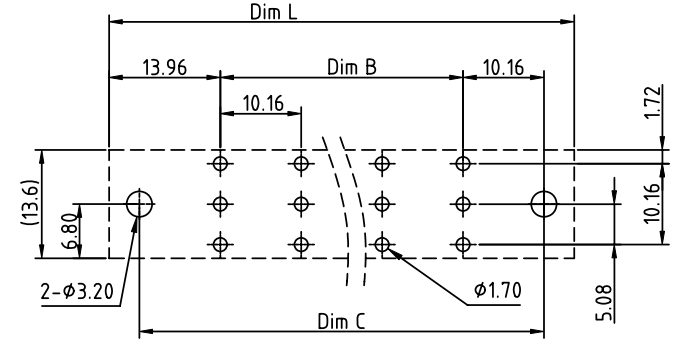
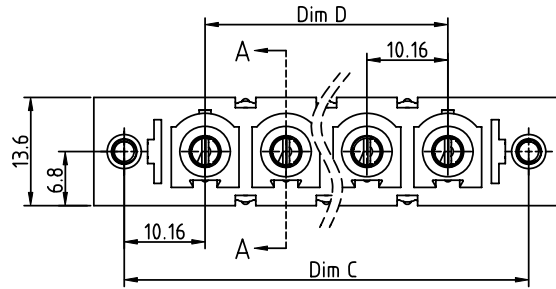


PRODUCT NUMBER	PITCH
KLxx62x000JOG	10.16 mm



RECOMMENDED P.C.B LAYOUT
TOP VIEW

Material:

- Item (a) Terminal(housing): Thermoplastic(UL94-V0)
- Item (b) Pin: Copper Tin plated
- Item (c) Wire guard:Stainless Steel
- Item (d) With flange nut : Steel zinc plated M3

Electrical:

- Voltage rating: 300V / 1000V
- Current rating: 55A / 76A
- Withstanding Voltage:1.6 KV / 8 KV
- Operating temperature: -40°C to +115°C
- Soldering temperature:260°C±5°C/5 Sec
- Safety Approval:

DIMENSION

Dim L	(N-1)×10.16+27.92
Dim B	(N-1)×10.16
Dim C	(N-1)×10.16+20.32
Dim D	(N-1)×10.16

N=Number of poles

Poles	Tolerance
2p-6p	±0.25
7p-12p	±0.35

PART NO.: KL xx 62 x 0 00JO G

Solid block	0	Black (RAL9005)	RoHS compliant (lead<4%) In copper Alloy
No. of poles	2	Red (RAL3001/D)	
02 2poles	3	Orange(RAL2011/P)	
03 3poles	4	Yellow(RAL1018/A)	
...	5	Green(RAL6018/T)	
12 12poles	6	Blue (RAL5015/A)	
	8	Grey(RAL7035/D)	
	9	White(RAL1102)	
	C	Green(RAL6018/U)	

mat'l. code	surface ASME Y14.5	tolerance ASME Y14.5	projection	product family
ltr	ecn	no	dr	date
tolerances unless otherwise specified				TERMINAL BLOCK
angles	0	X.±0.5	MM	title
0	0	X.X±0.3	→	TERMINAL BLOCK
X°±1'	0	X.XX±0.1	←	PLUGGABLE PCB PLUG, WITH FLANGE, VERTICAL
dr	EVIN ZHONG	050314	scale	sheet 1 of 1 size
enr	EVIN ZHONG	050314		KLxx62x000JOG
chr	HANKE FENG	050314		A4
appd	SHI JUN	050314		type
sheet index	revision	A		CUSTOMER Drawing
	sheet	1		