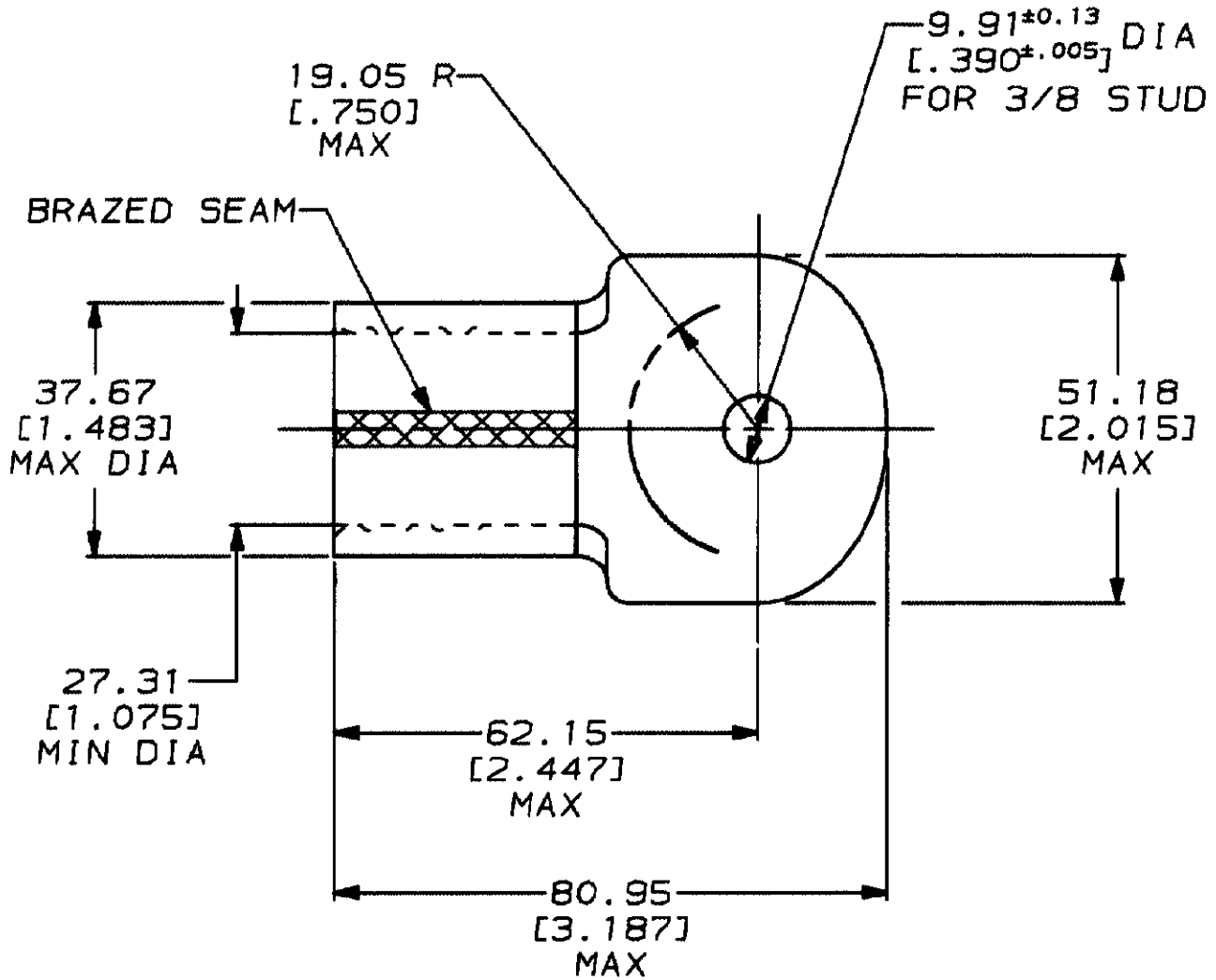


DRAWING MADE IN THIRD ANGLE PROJECTION

THIS DRAWING IS A CONTROLLED DOCUMENT FOR AMP INCORPORATED. IT IS SUBJECT TO CHANGE AND THE CONTROLLING ENGINEERING ORGANIZATION SHOULD BE CONTACTED FOR THE LATEST REVISION.

| LOC | DIST | P | F | LTR | DESCRIPTION                  | DATE    | APPROVED  |
|-----|------|---|---|-----|------------------------------|---------|-----------|
| G   | 14   |   |   | D   | REVISED & REDRAWN PER G-5803 | 6/12/92 | DKS / AJK |

THIS DRAWING IS UNPUBLISHED. RELEASED FOR PUBLICATION BY AMP INCORPORATED. ALL INTERNATIONAL RIGHTS RESERVED. COPYRIGHT 19



322267  
PART NO

DO NOT SCALE PRINT. UNLESS SPECIFIED DIMENSIONS IN mm [IN] TOLERANCES ON:  
 2 PLC DEC ± 0.20 [0.008]  
 3 PLC DEC \* -  
 ANGLES \* -

MATERIAL  
 COPPER ASTM B-152 ANNEALED

FINISH  
 TIN PLATE  
 0.00254 [0.000100] MIN THK PER MIL-T-10727

DR 6/12/92  
 DK SCHUM  
 CHK 6/26/92  
 RD HEIM  
 APPD 6/26/92  
 AJ KAUFMAN  
 APPD 6/26/92  
 CR RHOADS  
 PRODUCT SPEC -  
 APPLICATION SPEC -  
 WEIGHT -

**AMP**

AMP Incorporated  
 Harrisburg, PA 17105-3608

NAME  
 TERMINAL, RING TONGUE, SOLISTRAND™  
 WIRE SIZE: 253.0-304.0mm<sup>2</sup> [500-600] MCM

|                  |                    |                               |
|------------------|--------------------|-------------------------------|
| SIZE<br><b>A</b> | CAGE CODE<br>00779 | DRAWING NO<br><b>C-322267</b> |
| SCALE<br>1:1     | SHEET<br>1 OF 1    |                               |

AMP 1469-32 REV 3-92

12 JUN 1992 13:56:17 AMP26463 <U5128A>DEPT1123>DWG1123>U SOLISTRAND>O.MCM

CUSTOMER DRAWING