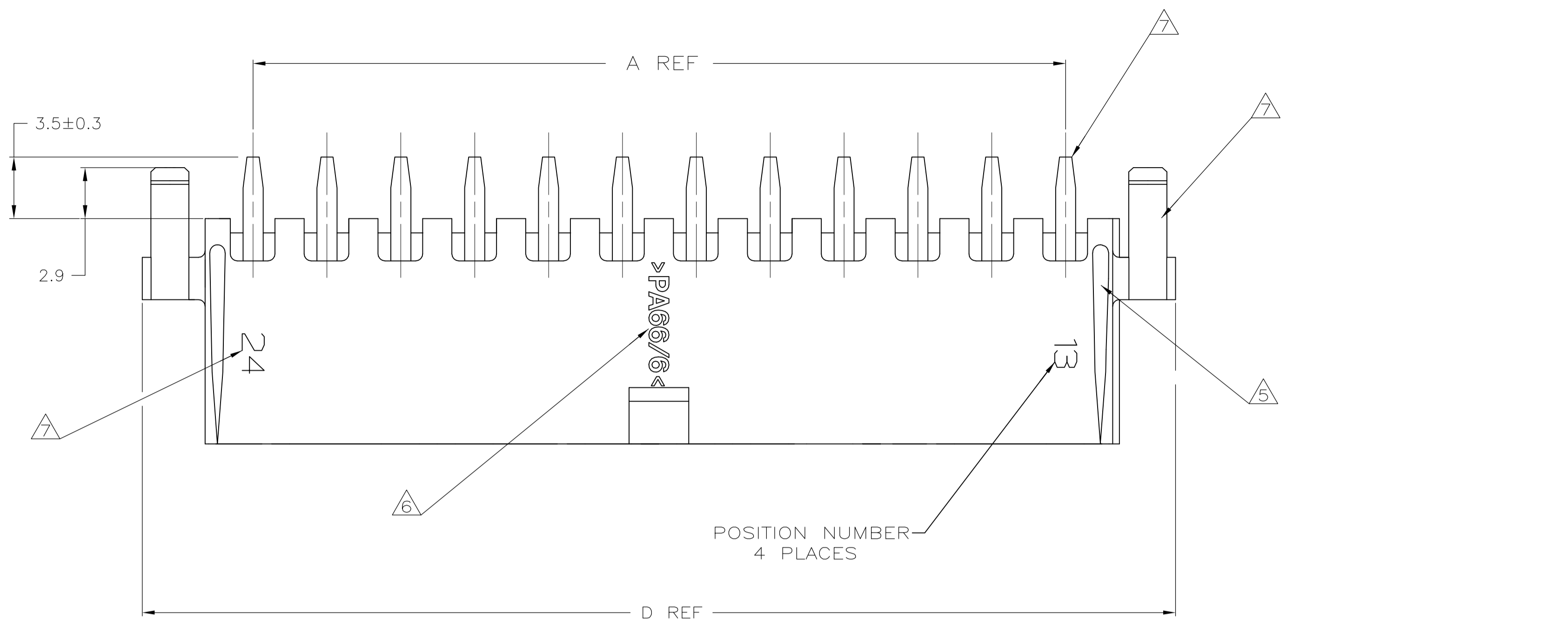
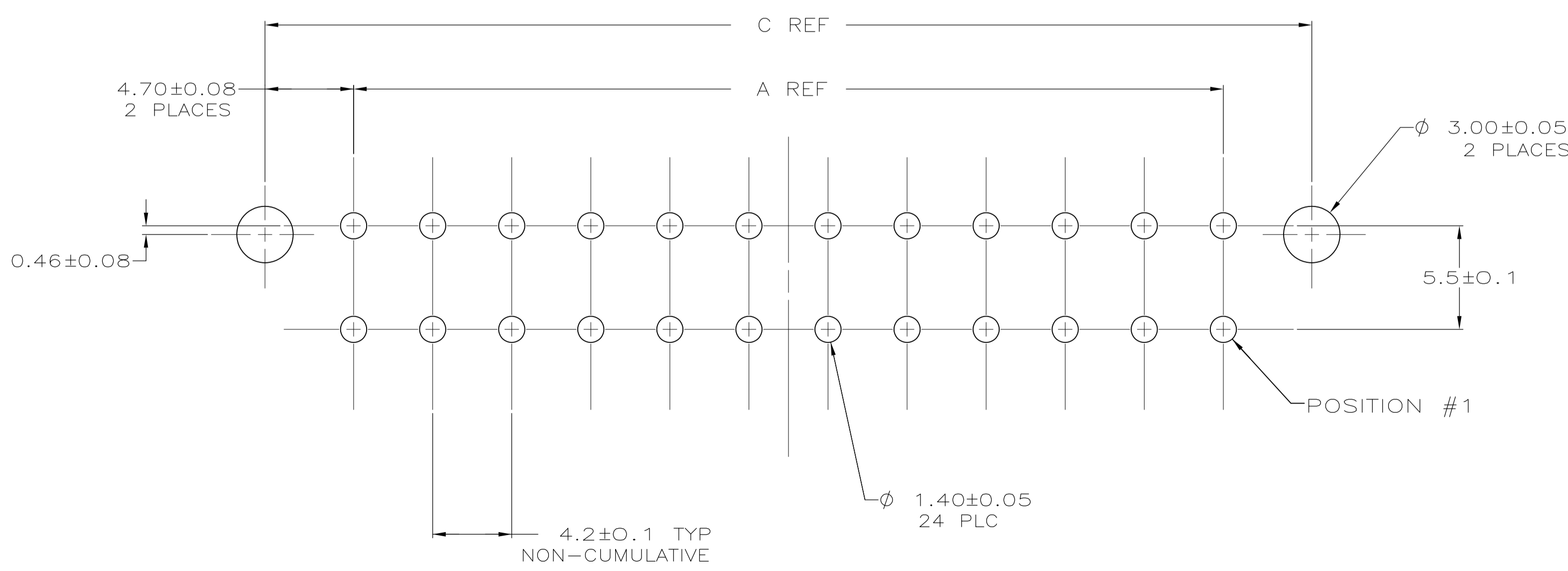
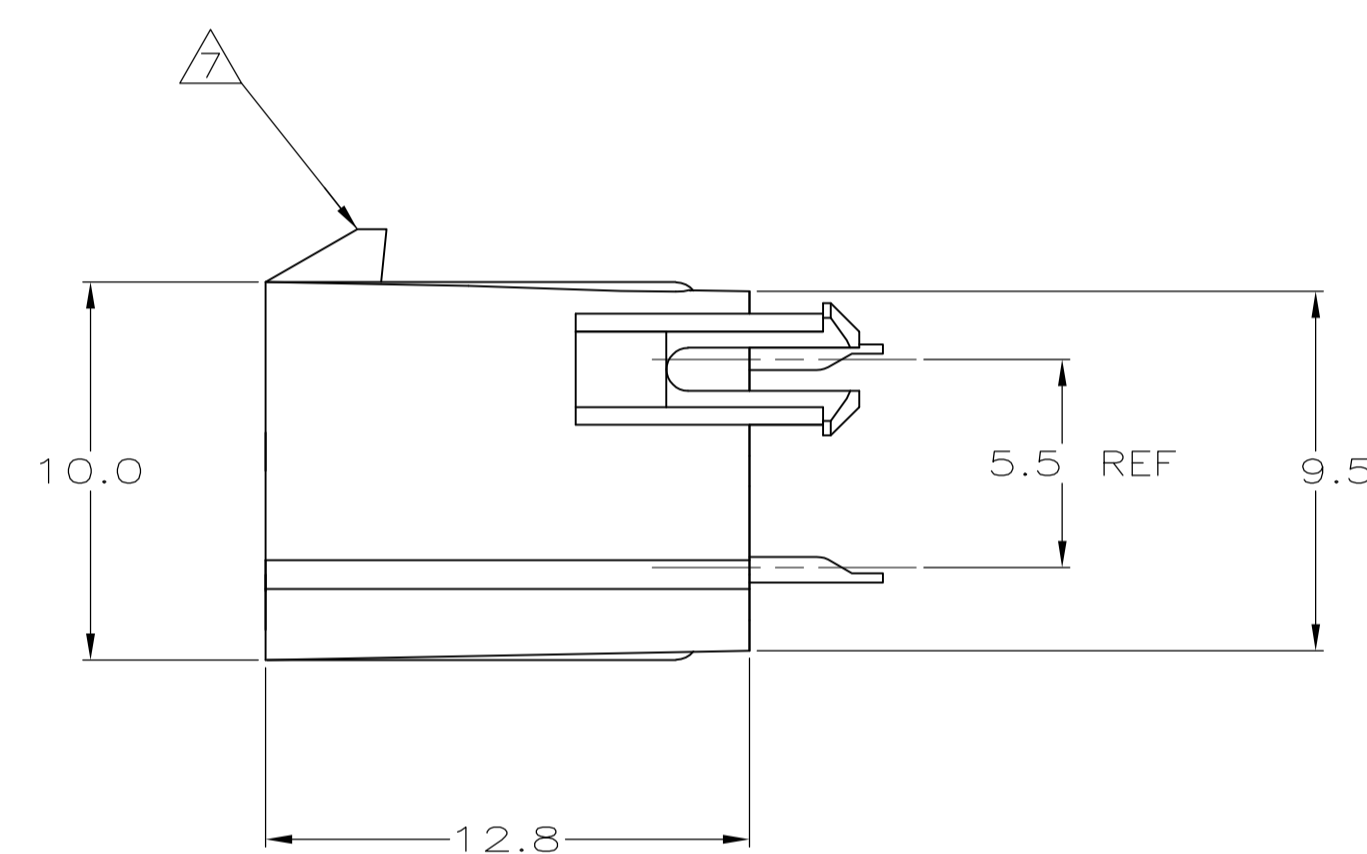
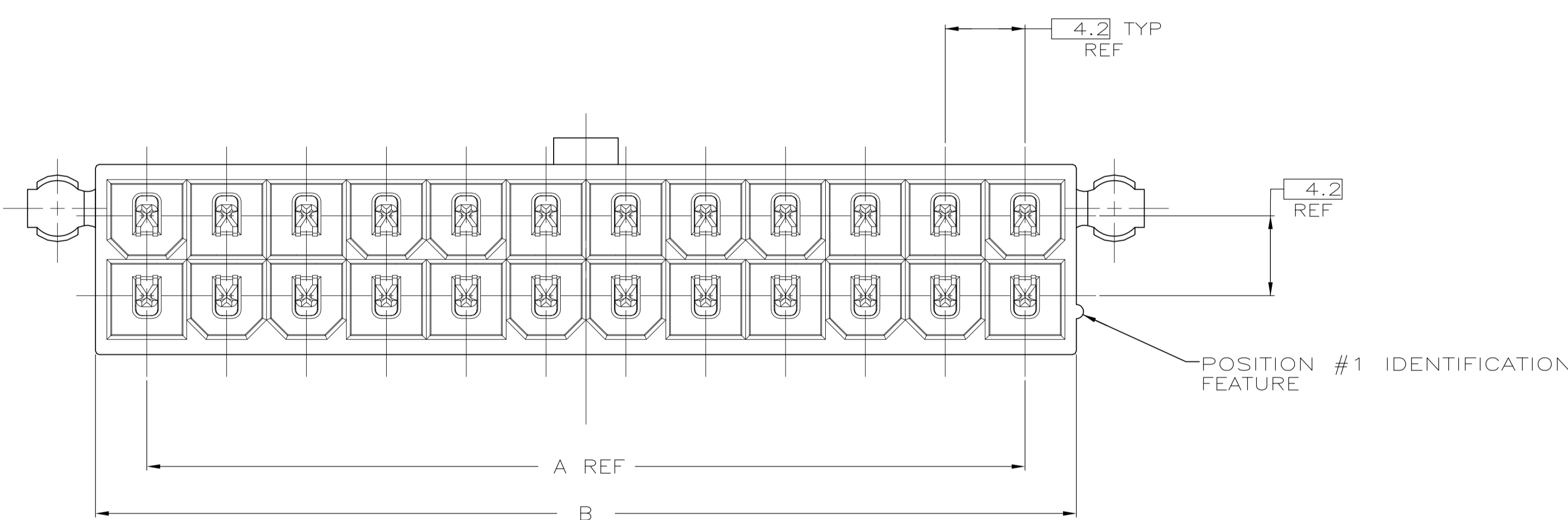


LOC		DIST		REVISIONS			
P	LTR	DESCRIPTION	DATE	DMN	APVD		
0		REVISED PER 0G3B-1111-04	21JUNE05	KW	DC		
01		REVISED PER ECO-09-024927	06NOV09	KK	AEG		



- 1 MATERIAL: HOUSING - NYLON, UL94V-0 (COLOR - WHITE, COLOR OF PARTS MAY VARY). CONTACTS - 0.25 THK COPPER ALLOY.
- 2 CONTACT FINISH: 0.00076 MIN THK GOLD PLATE ON PIN MATING SURFACE, 0.003 MIN THK TIN PLATE ON SOLDER TAIL, ALL OVER 0.00127 MIN THK NICKEL BASE PLATE.
- 3. SOLDER TAIL MEETS AMP SOLDERABILITY SPECIFICATION 109-11-2.
- 4. MATES WITH SIMILARLY PLATED AMP-DUAC™ POWER CONNECTOR RECEPTACLE HOUSINGS/SOCKET CONTACTS.
- 5 RIBS ON FOUR CORNERS OPTIONAL.
- 6 AMP LOGO AND MATERIAL ID MAY BE LOCATED ON EITHER LONG SIDE OF PART.
- 7 SIZE, SHAPE OR STYLE OF THIS FEATURE MAY VARY.
- 8 OBSOLETE PARTS: OBSOLETE CIS STREAMLINING PER D.RENAUD/D.SINISI



RECOMMENDED MOUNTING HOLE PATTERN FOR 1.78 MAX THICK P.C. BOARD COMPONENT SIDE SHOWN

OBSOLETE	58.8	55.6	51.6	46.2	24	2-1586494-4
	54.6	51.4	47.4	42.0	22	2-1586494-2
	50.4	47.2	43.2	37.8	20	2-1586494-0
OBSOLETE	46.2	43.0	39.0	33.6	18	1-1586494-8
	42.0	38.8	34.8	29.4	16	1-1586494-6
	37.8	34.6	30.6	25.2	14	1-1586494-4
OBSOLETE	33.6	30.4	26.4	21.0	12	1-1586494-2
	29.4	26.2	22.2	16.8	10	1-1586494-0
	25.2	22.0	18.0	12.6	8	1586494-8
OBSOLETE	21.0	17.8	13.8	8.4	6	1586494-6
	16.8	13.6	9.6	4.2	4	1586494-4
	12.6	9.4	5.4	0.0	2	1586494-2
	D	C	B	A	NO. OF POSITIONS	PART NO

METRIC

THIS DRAWING IS A CONTROLLED DOCUMENT.

DIMENSIONS: mm	TOLERANCES UNLESS OTHERWISE SPECIFIED:	0 PLC ± -	1 PLC ± 0.2	2 PLC ± 0.13	3 PLC ± -	4 PLC ± -	ANGLES ± 0°30'
MATERIAL	FINISH	WEIGHT	SCALE	SHEET	REV		

APPROVED: D. COLEY, 21JUNE2005
 NAME: D. COLEY
 PRODUCT SPEC: 108-1699
 APPLICATION SPEC: -
 SIZE: A1
 CAGE CODE: 00779
 DRAWING NO: C=1586494
 RESTRICTED TO: -
 CUSTOMER DRAWING
 SCALE: 5:1
 SHEET: 1 of 1
 REV: 01

Tyco Electronics Corporation
 Harrisburg, Pa 17105-3608
 ASSEMBLY, HEADER, VERTICAL, GOLD PLATED, W/PEGS, W/O DRAIN HOLES, 94V-0, AMP-DUAC