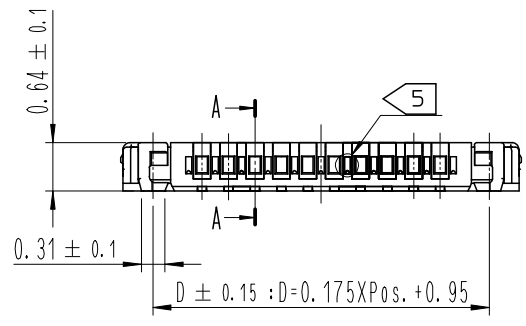
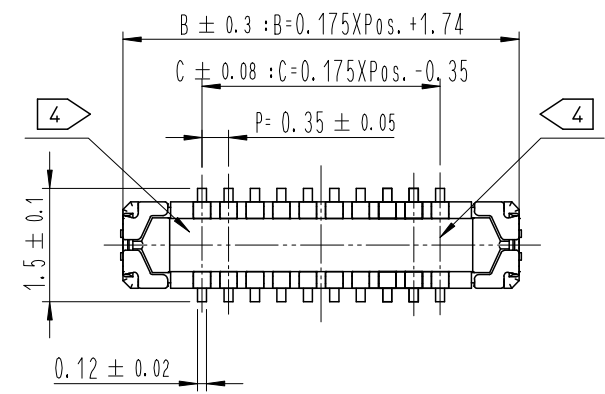
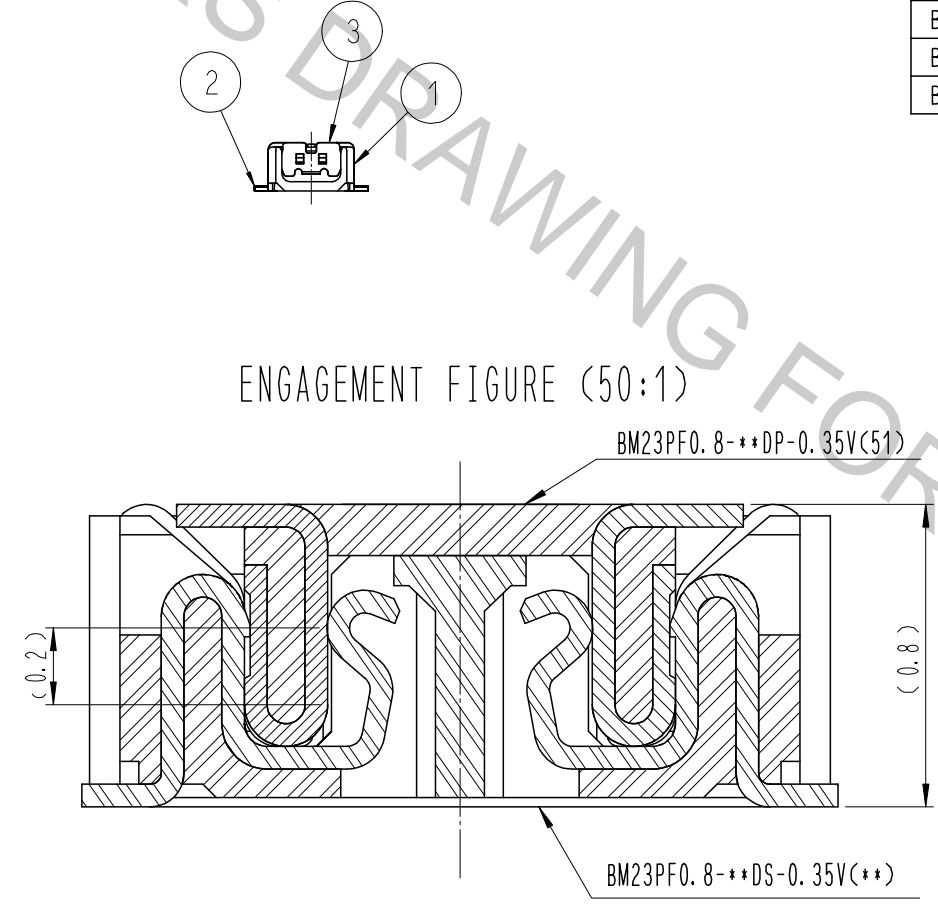
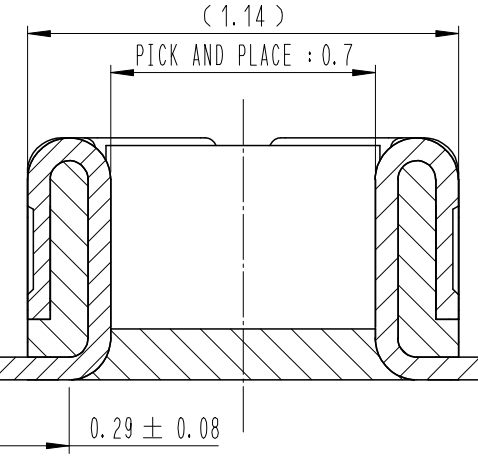


DRAWING FOR REFERENCE  
This is subject to change without notice

COUNT	DESCRIPTION OF REVISIONS	B	Y	CHKD	DATE	COUNT	DESCRIPTION OF REVISIONS	B	Y	CHKD	DATE
2	RE-6-0742			LYJ	JHW	16.09.27					
3	RE-6-0806			MSH	JHW	17.01.05					



A:A(50:1)



PART No.	CODE No.	POS.	B	C	D
BM23PF0.8-10DP-0.35V(51)	-	10	3.49	1.40	2.70
BM23PF0.8-14DP-0.35V(51)	-	14	4.19	2.10	3.40
BM23PF0.8-20DP-0.35V(51)	-	20	5.24	3.15	4.45
BM23PF0.8-24DP-0.35V(51)	-	24	5.94	3.85	5.15
BM23PF0.8-40DP-0.35V(51)	-	40	8.74	6.65	7.95
BM23PF0.8-42DP-0.35V(51)	-	42	9.09	7.00	8.30
BM23PF0.8-46DP-0.35V(51)	-	46	9.79	7.70	9.00
BM23PF0.8-54DP-0.35V(51)	-	54	11.19	9.10	10.40

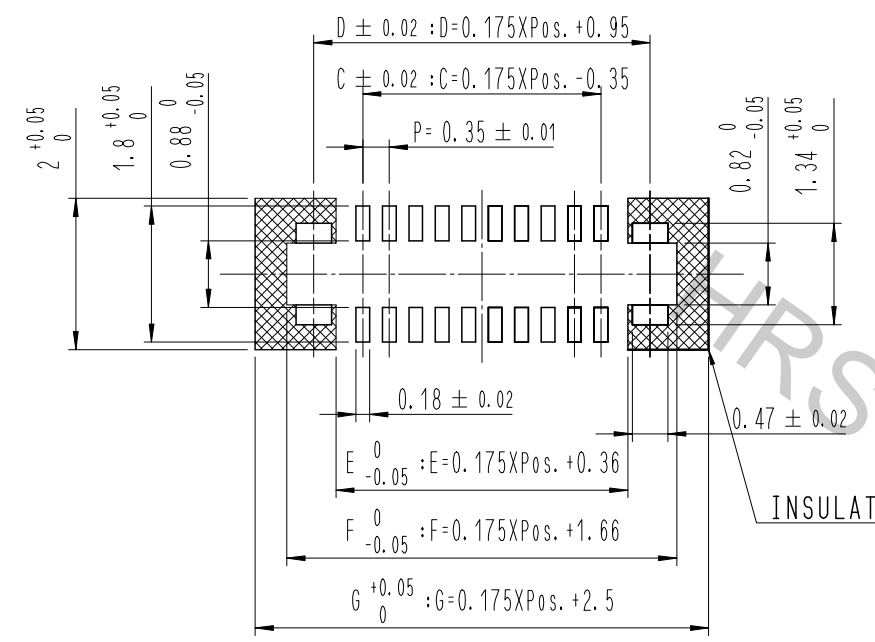
- NOTE
- 1. ALL LEAD CO-PLANARITY SHALL BE 0.08mm MAX.
  - 2. CONTACT PLATING SPECIFICATIONS.  
CONTACT AREA : GOLD 0.05 μm MIN.  
SMT LEAD : GOLD 0.05 μm MIN.  
UNDER PLATING : NICKEL 1 μm MIN.  
( SURFACE : SEALING )
  - 3. METAL FITTING PLATING SPECIFICATIONS.  
SMT LEAD : GOLD 0.05 μm MIN.  
UNDERPLATING : NICKEL 1 μm MIN.  
( SURFACE : SEALING )
  - 4. HRS MARK AND CAV No. ARE INDICATED IN APPROX POSITION SHOWN.
  - 5. A PART OF THE WALL COULD BE NOTCHED.

4	PS	CLEAR (EMBOSSED CARRIER TAPE)			
3	COOPER ALLOY	3	7	PS	CLEAR (REINFORCEMENT COLLAR)
2	COOPER ALLOY	2	6	PS	BLACK (PLASTIC REEL)
1	LCP	UL94 V-0, BLACK	5	POLYESTER	CLEAR (COVER TAPE)
NO.	MATERIAL	FINISH, REMARKS	NO.	MATERIAL	FINISH, REMARKS
REMARKS			DRAWN	DESIGNED	CHECKED
			Y. J. LEE	Y. J. LEE	H. W. JO
			15.11.23	15.11.23	15.11.23
			APPROVED	RELEASED	
			T. S. KANG	15.11.23	15.11.23
CODE NO. (OLD)	DRAWING NO.	PART NO.			
	EDC3-*****	BM23PF0.8-**DP-0.35V(51)			
SCALE	UNITS	HRS	HIROSE KOREA CO., LTD.	CODE NO.	CL 66**-*****-***
10:1	mm				1/3

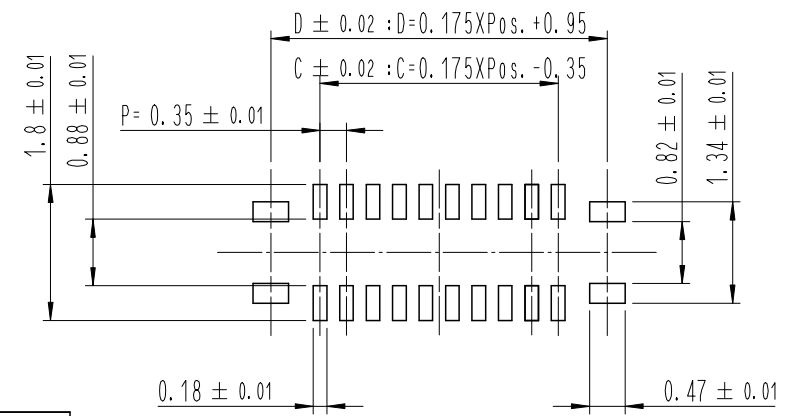
Aug.1.2018 Copyright 2018 HIROSE ELECTRIC CO., LTD. All Rights Reserved.  
 In case that the application demands a high level of reliability, such as automotive,  
 please contact a company representative for further information.

Aug.1.2018 Copyright 2018 HIROSE ELECTRIC CO., LTD. All Rights Reserved.  
 In case that the application demands a high level of reliability, such as automotive,  
 please contact a company representative for further information.

7 RECOMMENDED PCB LAYOUT

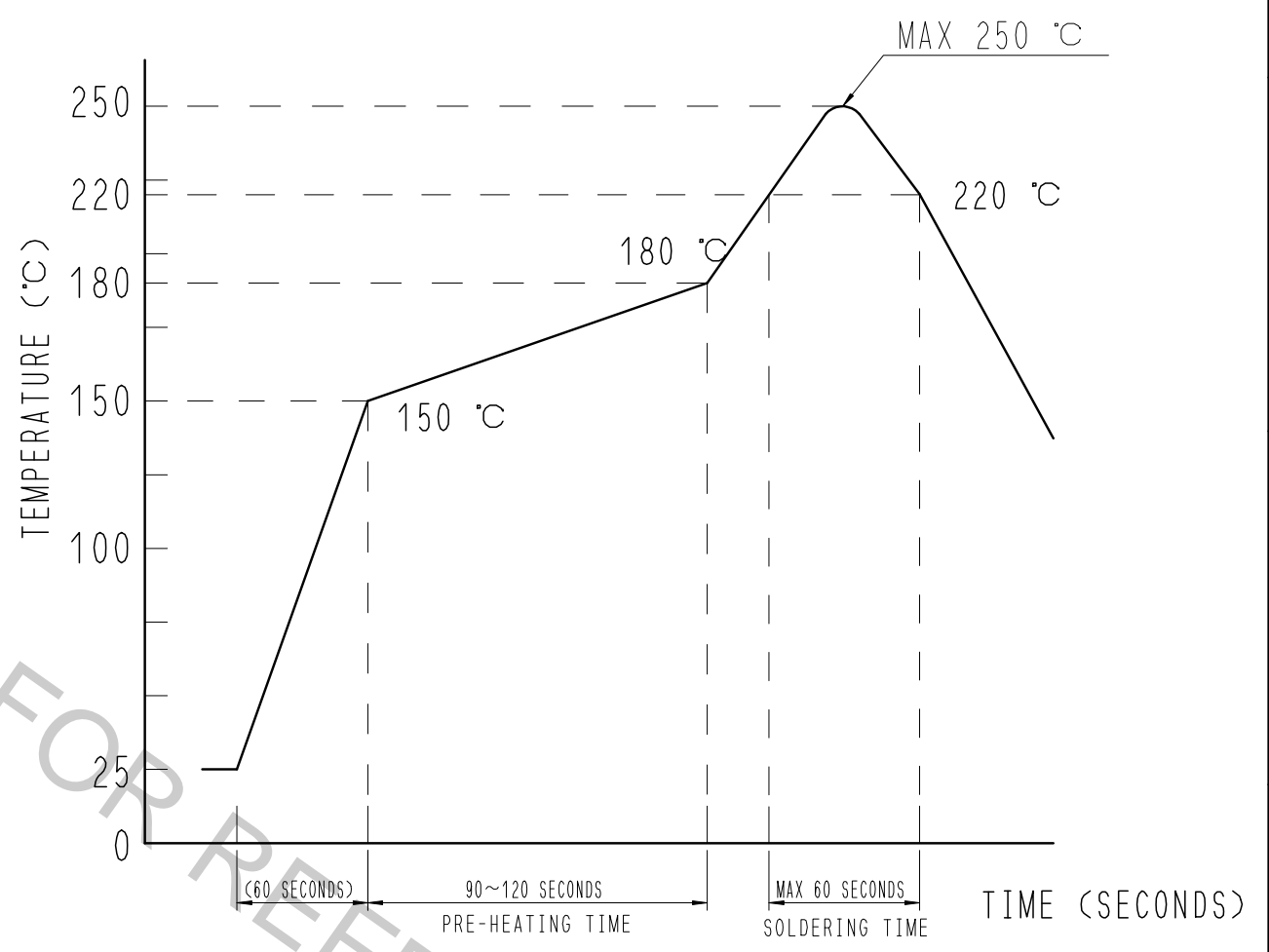


RECOMMENDED METAL MASK DIMENSIONS  
 METAL MASK THICKNESS : 100 μm



POS.	C	D	E	F	G
10	1.40	2.70	2.11	3.41	4.25
14	2.10	3.40	2.81	4.11	4.95
20	3.15	4.45	3.86	5.16	6.00
24	3.85	5.15	4.56	5.86	6.70
40	6.65	7.95	7.36	8.66	9.50
42	7.00	8.30	7.71	9.01	9.85
46	7.70	9.00	8.41	9.71	10.55
54	9.45	10.75	10.16	11.46	12.30

6 RECOMMENDED REFLOW TEMPERATURE PROFILE USING LEAD-FREE SOLDER PASTE.

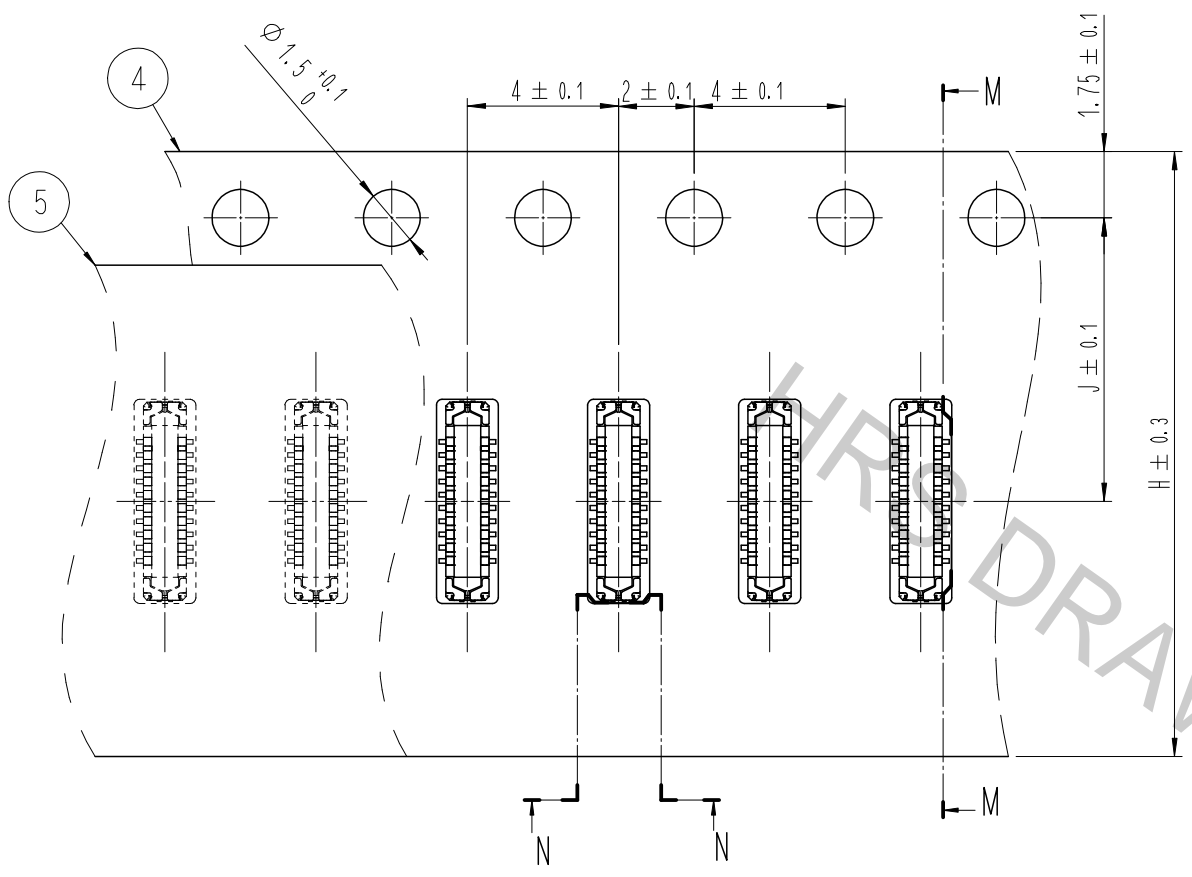


REFLOW METHOD: IR REFLOW  
 NUMBER OF REFLOW CYCLES: 2 CYCLES MAX.  
 1) REFLOW TIME  
 DURATION ABOVE 220°C, 60 SEC MAX.  
 (PEAK TEMPERATURE: 250°C MAX)  
 2) PRE-HEAT TIME  
 PRE-HEAT TEMPERATURE (MIN): 150°C  
 PRE-HEAT TEMPERATURE (MAX): 180°C  
 PRE-HEAT TIME: 90-120 SEC.

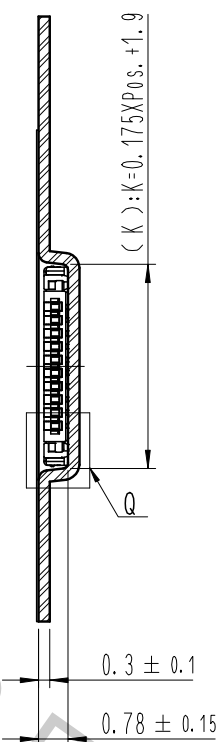
- 6 THIS TEMPERATURE PROFILE IS PER THE CONDITIONS SHOWN ABOVE. ADDITIONAL FACTORS, SUCH AS SOLDER PASTE TYPE, PCB SIZE AND OTHER MOUNTED COMPONENTS COULD AFFECT THE PROFILE, THEREFORE, A THOROUGH EVALUATION OF MOUNTING CONDITION IS REQUIRED PRIOR TO PRODUCTION. TEMPERATURE IS MEASURED AT CONTACT LEAD.
- 7 PLEASE CONTACT US IN CASE YOU WILL MAKE DIFFERENT SETTINGS FROM OUR RECOMMENDATION.

SCALE 10:1	DRAWING NO.	EDC3-*****	PART NO.	BM23PF0.8-***DP-0.35V(51)
	UNITS mm	HRS HIROSE KOREA CO., LTD.		CODE NO CL 66**-*****-***

# EMBOSED CARRIER TAPE PACKAGING (5:1)

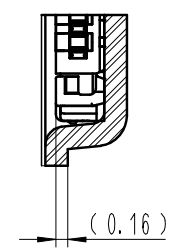


## M-M (5:1)

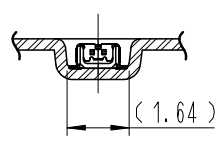


△ POS.	H	J	K	L	M
10	12	5.5	3.65	13.5	17.5
14	16	7.5	4.35	17.5	21.5
20	16	7.5	5.40	17.5	21.5
24	16	7.5	6.10	17.5	21.5
40	24	11.5	8.90	25.5	29.5
42	24	11.5	9.25	25.5	29.5
46	24	11.5	9.95	25.5	29.5
54	24	11.5	11.35	25.5	29.5

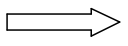
## Q (10:1)



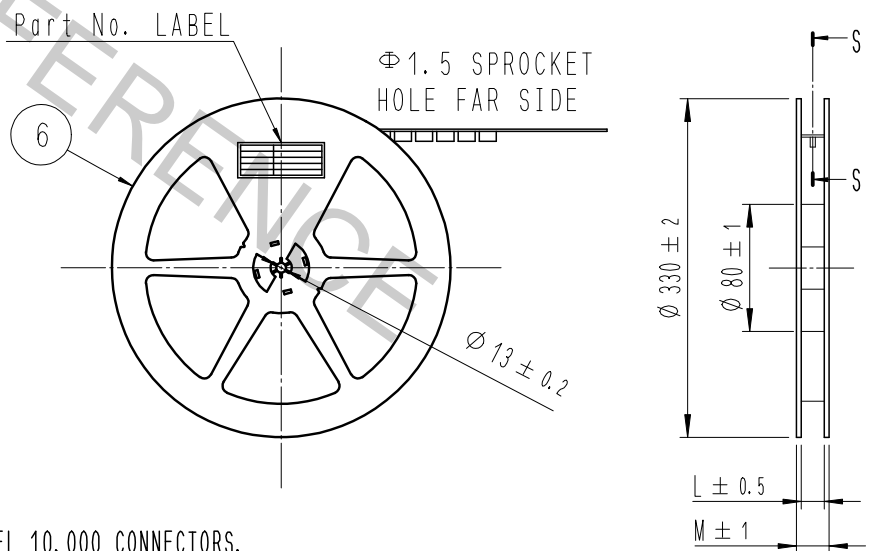
## N-N (5:1)



DIRECTION OF UNREELING



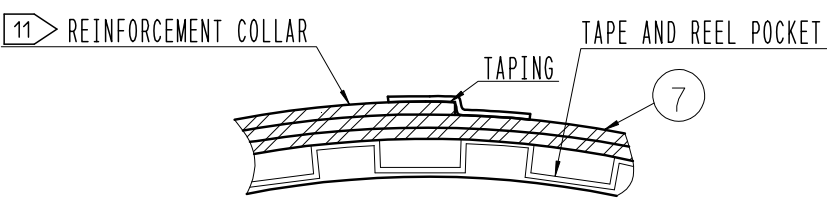
## STYLE AND DIMENTION OF REEL (FREE)



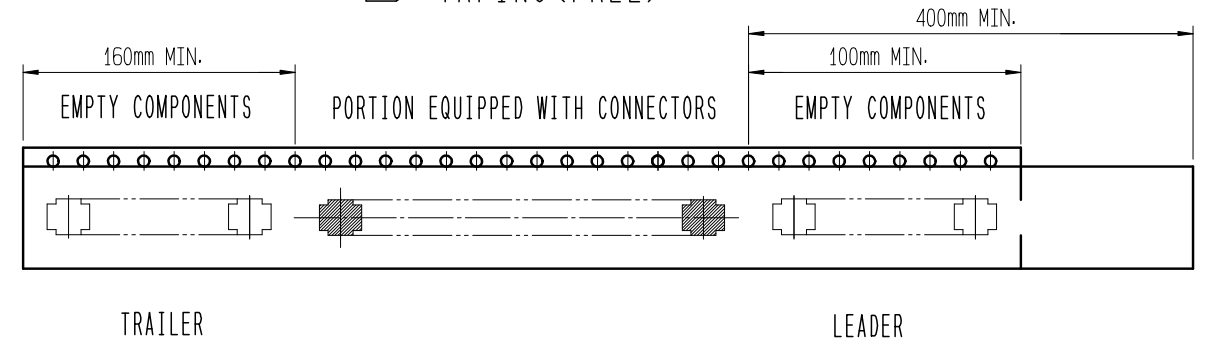
## DETAIL OF PART No. LABEL

SUPPLIER	HIROSE
QUANTITY	10,000
PART NO.	BM23PF0.8-**-**DP-0.35V(51)
CODE NO.	CL 66**-*****-***
DATE OF MANUFACTURED	年月日
生産月日	年月日
図番	** ** *
品名	BM23PF0.8-**-**DP-0.35V(51)
納入数量	10,000個
納入者	HIROSE KOREA

## S-S (FREE)



## 10 TAPING(FREE)



- 8 . PER REEL 10,000 CONNECTORS.
- 9 . THE DIMENSIONS IN PARENTHESES ARE FOR REFERENCE.
- 10 REFER TO JIS C 0806, IEC-60286-3 (PACKAGING OF COMPONENTS FOR AUTOMATIC HANDLING)
- 11 AFTER PACKAGING, ROLL 2 METERS OF THE REINFORCEMENT COLLAR TO OUTER CIRCUMFERENCE OF TAPE AND REEL POCKET. AND TAPE DOWN AT THE END THE COLLAR.

DRAWING NO.	EDC3-*****	PART NO.	BM23PF0.8-**-**DP-0.35V(51)
SCALE	10:1	CODE NO.	CL 66**-*****-***
UNITS	mm		

Aug.1.2018 Copyright 2018 HIROSE ELECTRIC CO., LTD. All Rights Reserved. In case that the application demands a high level of reliability, such as automotive, please contact a company representative for further information.