

THIS DRAWING IS UNPUBLISHED.

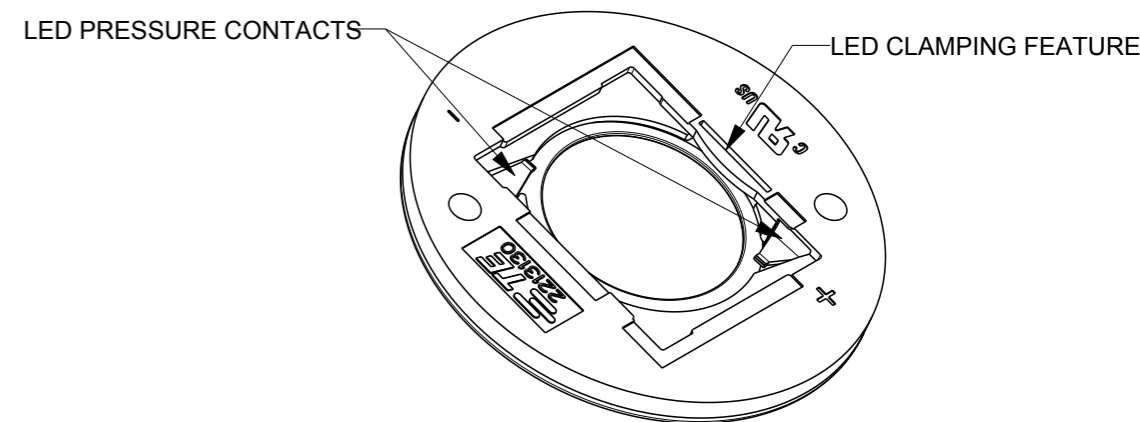
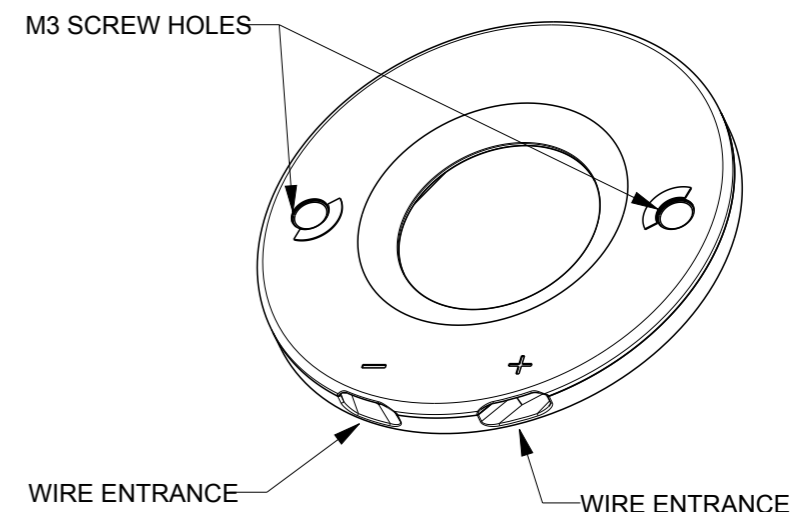
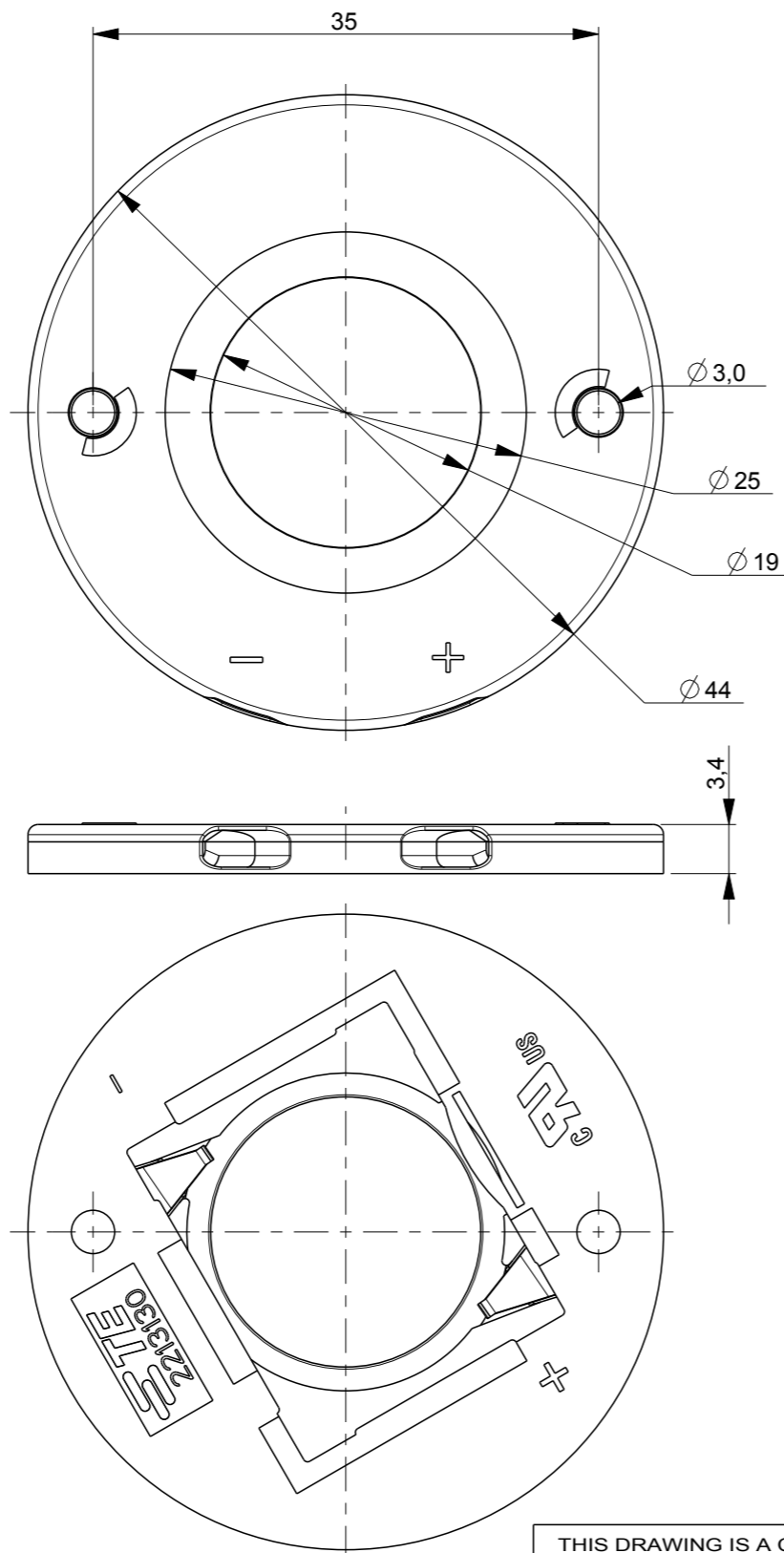
RELEASED FOR PUBLICATION

© COPYRIGHT- BY TYCO ELECTRONICS CORPORATION. ALL RIGHTS RESERVED.

LOC	DIST	REVISIONS					
		P	LTR	DESCRIPTION	DATE	DWN	APVD
H	-		1	INITIATE	09AUG2012	JK	OL
			2	ADDED INFO	06JAN2013	JK	JK
			3	ADDED INFO	11MAR2013	JK	JK
			4	ADD SH3	22MAR2013	JK	JK

NOTES:

- MATERIALS:
HOUSING: GLASS FILLED PBT
COLOR : NATURAL/WHITE
CONTACTS: SILVER PLATED COPPER ALLOY
- FOR SOLID AND STRANDED WIRE AWG 22-18
- COMPLIES WITH DIRECTIVE 2002/95/EC (ROHS)
- M3 SCREW TO BE USED FOR MOUNTING



2213130-1 AS SHOWN
Z50 LED HOLDER LOW PROFILE

PARTNUMBER	DESCRIPTION
2213130-2	Z50 LED HOLDER STANDARD PROFILE 2024
2213130-1	Z50 LED HOLDER LOW PROFILE 2024

DWN 01-AUG-2012 J.V.D.KROGT		TE Connectivity	
CHK 04-AUG-2012 J.V.D.KROGT		Z50 LED HOLDER 2024	
APVD 06-AUG-2012 O.LEIJNSE			
PRODUCT SPEC 108-133008		SIZE	CAGE CODE
APPLICATION SPEC 114-32048		A3	00779
WEIGHT -		DRAWING NO C-2213130	
CUSTOMER DRAWING		SCALE	SHEET 1 OF 3
			REV 4

THIS DRAWING IS A CONTROLLED DOCUMENT.	
DIMENSIONS: mm	TOLERANCES UNLESS OTHERWISE SPECIFIED:
	0 PLC ±-
	1 PLC ±-
	2 PLC ±-
	3 PLC ±-
	4 PLC ±-
	ANGLES ±-
MATERIAL -	FINISH -

PRELIMINARY PART
NOT RELEASED FOR PRODUCTION

THIS PRODUCT HAS NOT COMPLETED
VALIDATION TESTING

4

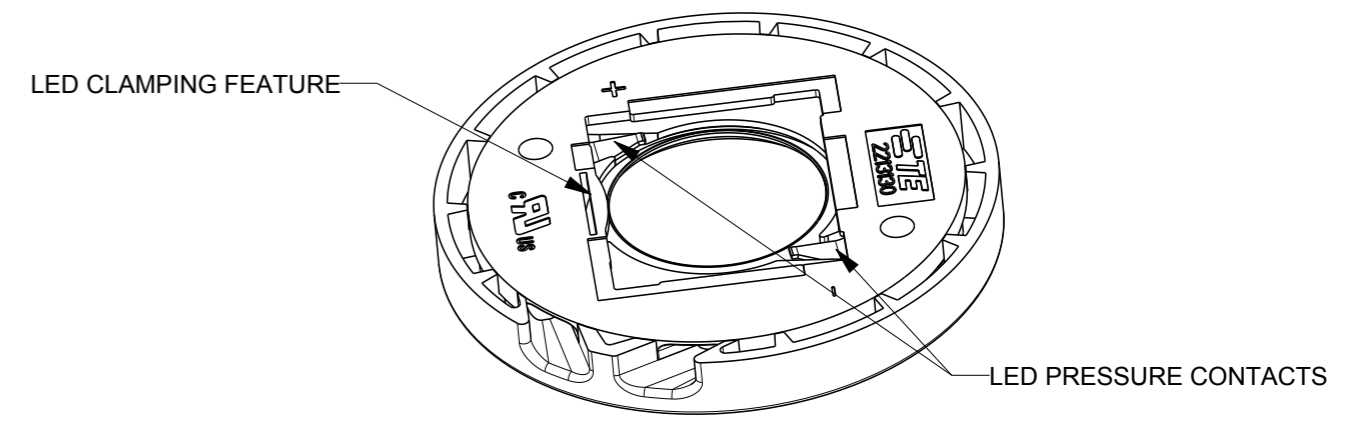
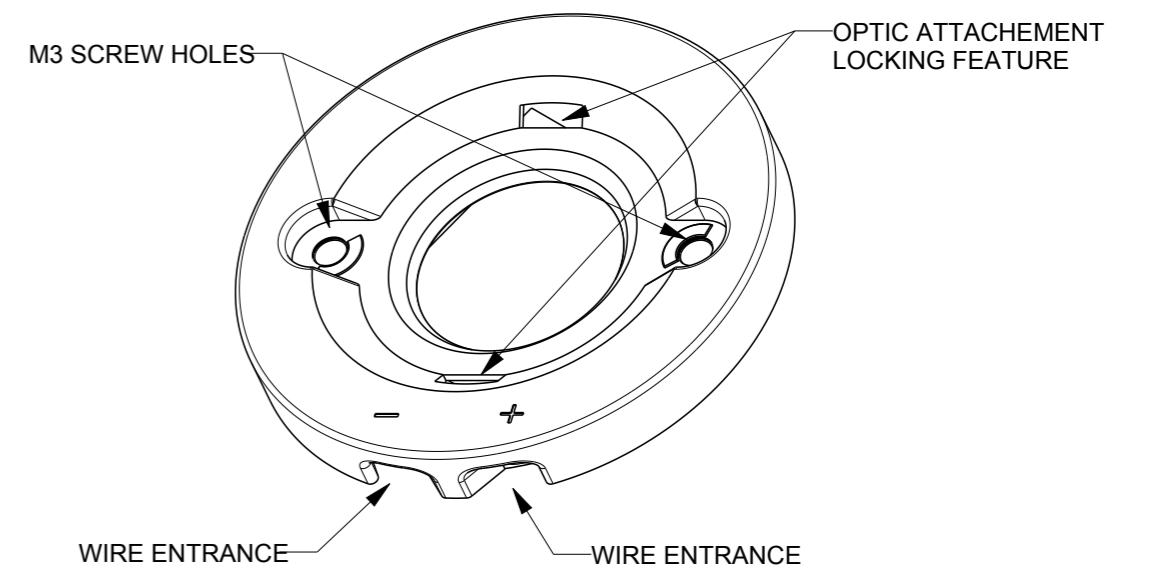
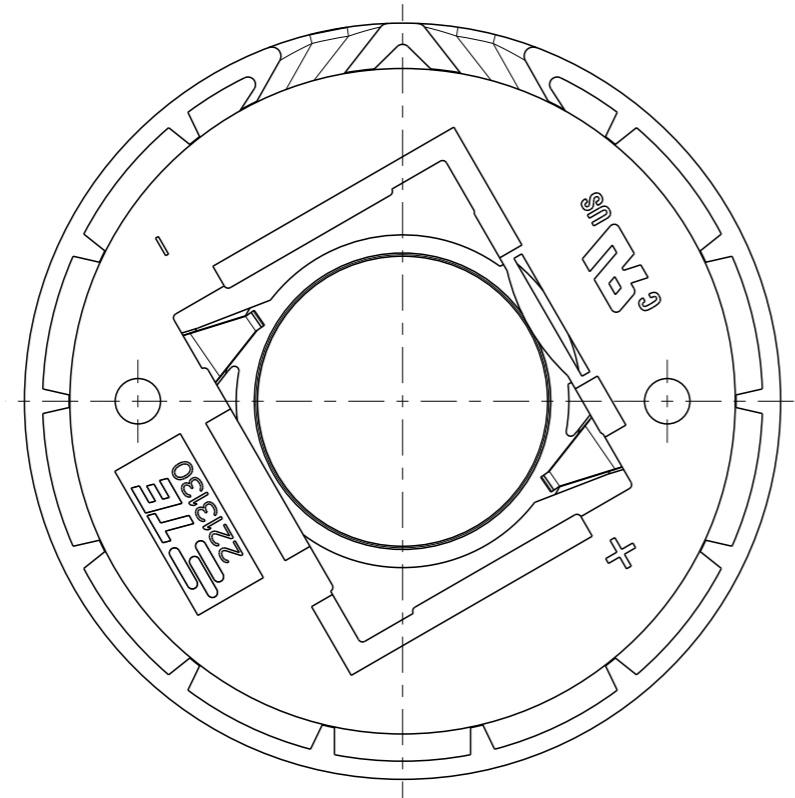
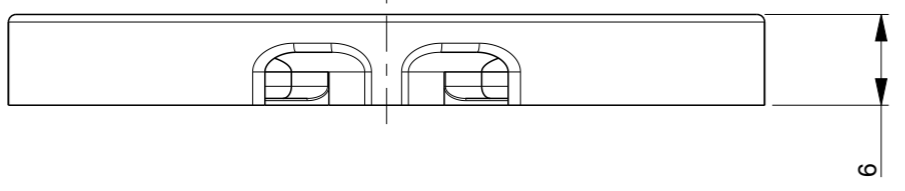
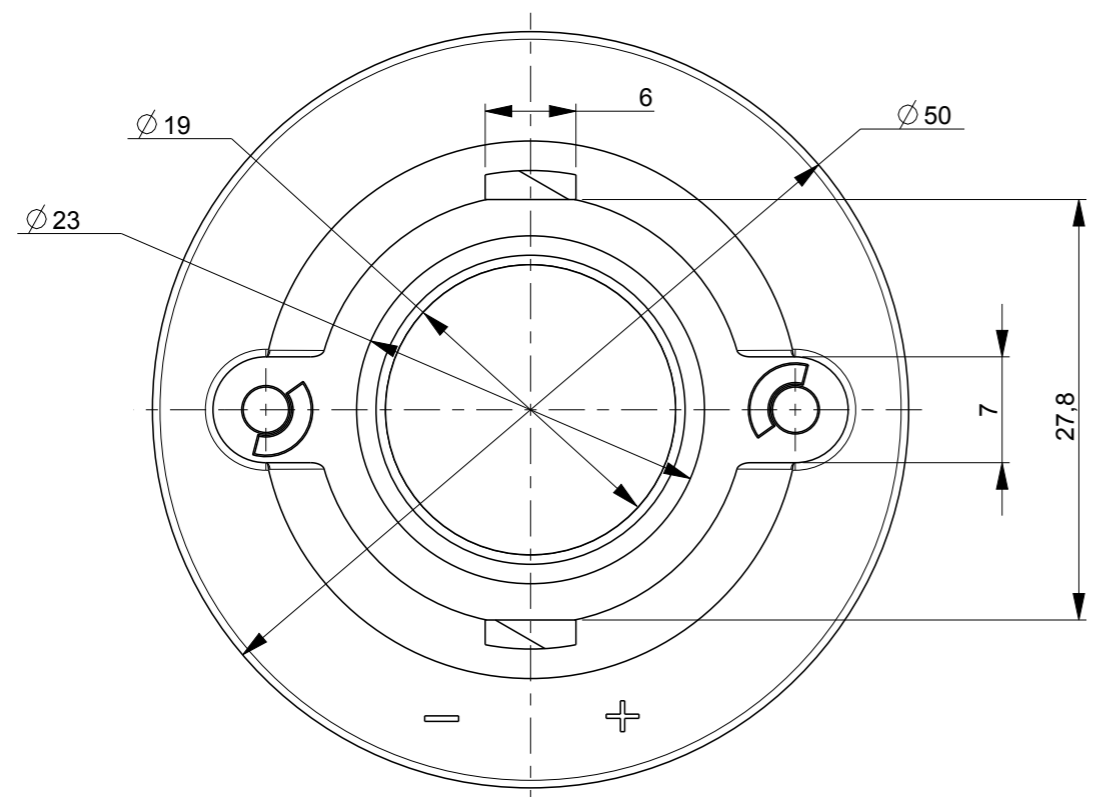
3

2

1

THIS DRAWING IS UNPUBLISHED. RELEASED FOR PUBLICATION
 © COPYRIGHT- BY TYCO ELECTRONICS CORPORATION. ALL RIGHTS RESERVED.

LOC	DIST	REVISIONS					
H	-	P	LTR	DESCRIPTION	DATE	DWN	APVD
			-	SEE SHEET 1	-	-	-



2213130-2 AS SHOWN

Z50 LED HOLDER STANDARD PROFILE

SCALE 2:1

THIS DRAWING IS A CONTROLLED DOCUMENT.		DWN 01-AUG-2012 J.V.D.KROGT	TE Connectivity	
		CHK 04-AUG-2012 J.V.D.KROGT		
		APVD 06-AUG-2012 O.LEIJNSE	NAME	
		PRODUCT SPEC	Z50 LED HOLDER	
		108-133008	2024	
		APPLICATION SPEC		
		114-32048	SIZE	CAGE CODE
		WEIGHT	A3	00779
		CUSTOMER DRAWING	DRAWING NO	C-2213130
			RESTRICTED TO	-
			SCALE	SHEET 2 OF 3
				REV 4

4

3

2

1

THIS DRAWING IS UNPUBLISHED.

RELEASED FOR PUBLICATION

© COPYRIGHT-

BY TYCO ELECTRONICS CORPORATION.

ALL RIGHTS RESERVED.

LOC

DIST

REVISIONS

H

-

P

LTR

DESCRIPTION

DATE

DWN

APVD

-

SEE SHEET 1

-

-

-

THE SKETCH BELOW IS SHOWING THE NOMINAL LED COB DIMENSIONS TO MATCH WITH THE Z50 LED HOLDER 2024

FOR TECHNICAL DETAILS ABOUT A PROPER MATCH WITH A SPECIFIC LED COB ARRAY PLEASE CONTACT A REPRESENTATIVE AT TE-CONNECTIVITY

THIS DRAWING IS A CONTROLLED DOCUMENT.

DWN 01-AUG-2012

J.V.D.KROGT

CHK 04-AUG-2012

J.V.D.KROGT

APVD 06-AUG-2012

O.LEIJNSE

PRODUCT SPEC

108-133008

APPLICATION SPEC

114-32048

WEIGHT

-

CUSTOMER DRAWING

TE Connectivity

NAME

Z50 LED HOLDER
2024

SIZE

A3

CAGE CODE

00779

DRAWING NO

C-2213130

RESTRICTED TO

-

DIMENSIONS:

mm

TOLERANCES UNLESS OTHERWISE SPECIFIED:

0 PLC ±

1 PLC ±

2 PLC ±

3 PLC ±

4 PLC ±

ANGLES ±

FINISH -

MATERIAL

-

SCALE

-

SHEET

3

OF

3

REV

4

1470-19 (3/11)