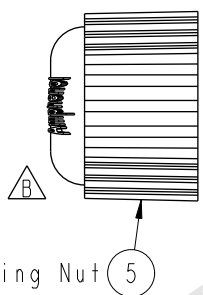
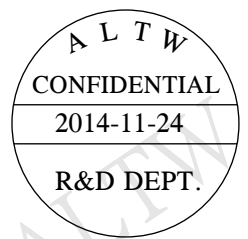
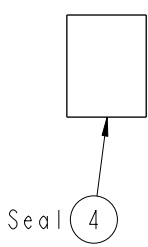


THIS DOCUMENT IS SUBJECT TO CHANGE WITHOUT NOTICE. IT IS CONFIDENTIAL AND A PROPERTY OF Amphenol LTW. DISCLOSURE TO THIRD PARTY HAS TO BE AUTHORIZED BY Amphenol LTW.

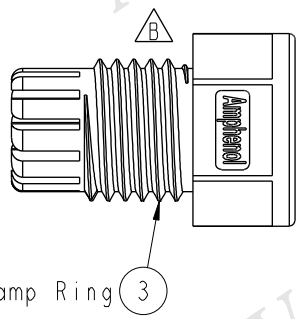
REV.	ECN NO.	DATE	SIGN	DESCRIPTION
B	LEN14C0046	2011/11/24	Vicky	Update Logo & Dimension



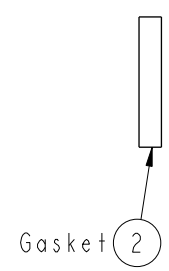
Sealing Nut (5)



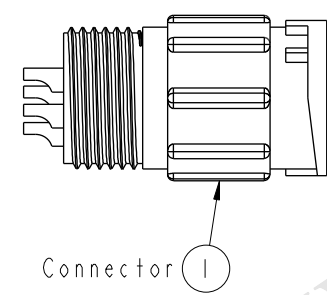
Seal (4)



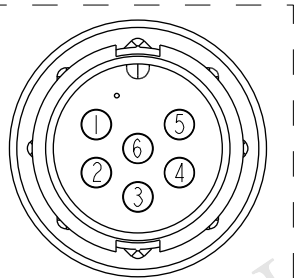
Clamp Ring (3)



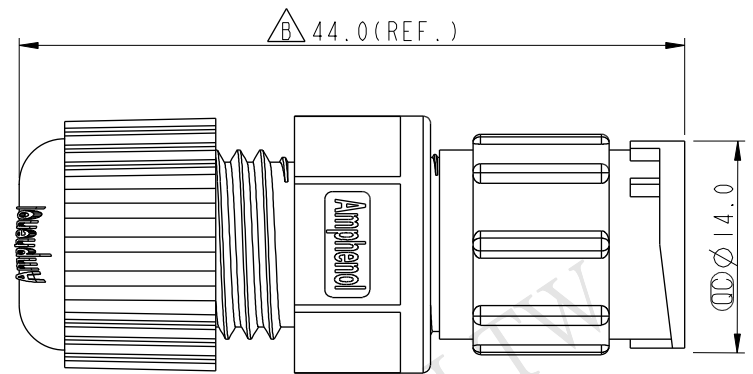
Gasket (2)



Connector (1)



Pin Assignments Front View



Note:

- * (M) Important Dimension To Check.
- * Waterproof Rate: IP67
- * Housing: Nylon+GF, Black
- * Male Pin: Copper Alloy, Gold Plated
- * Gasket: EPDM, Black
- * Clamp Ring: Nylon, Black
- * Seal: EPDM, Black
- * Sealing Nut: Nylon, Black
- * Seal For Cable OD: $\varnothing 4.5\text{mm} \sim \varnothing 6.5\text{mm}$
(防水墊圈線徑: $\varnothing 4.5\text{mm} \sim \varnothing 6.5\text{mm}$)
- * One Set Unassembled In One PE Bag
(每一組未組裝, 放置於一個PE袋, 並封口)

UNIT:mm		TITLE		<h2 style="margin: 0;">Amphenol LTW</h2> <p style="margin: 0;">安費諾亮泰企業股份有限公司</p>	ITEM NO	DRAWN BY	DATE
		Standard Assy Lock 6P M Conn M Pin			BD-06BMM-LL7001	Vicky	2014-11-24
TOLERANCE		SCALE	SIZE	SHEET	DWG NO	CHECKED BY	DATE
.X ± 0.25		3:2	A4	1 OF 1	BD-06BMM-LL7001	Sam	2014-11-24
.XX ± 0.1		REV.	WC-REV.		CUSTOMER	APPROVED BY	DATE
.XXX ± 0.05		B	A.2	(M): Inspection item	ALTW	Rita	2014-11-24
ANGLES $\pm 1^\circ$							