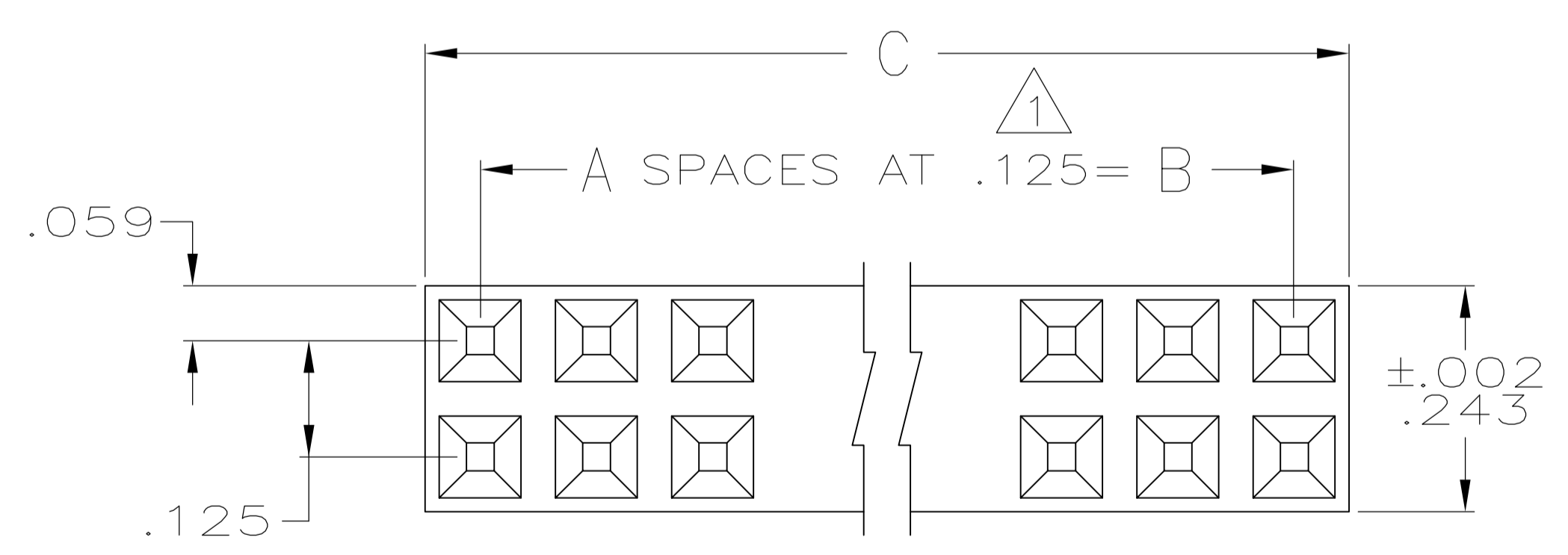
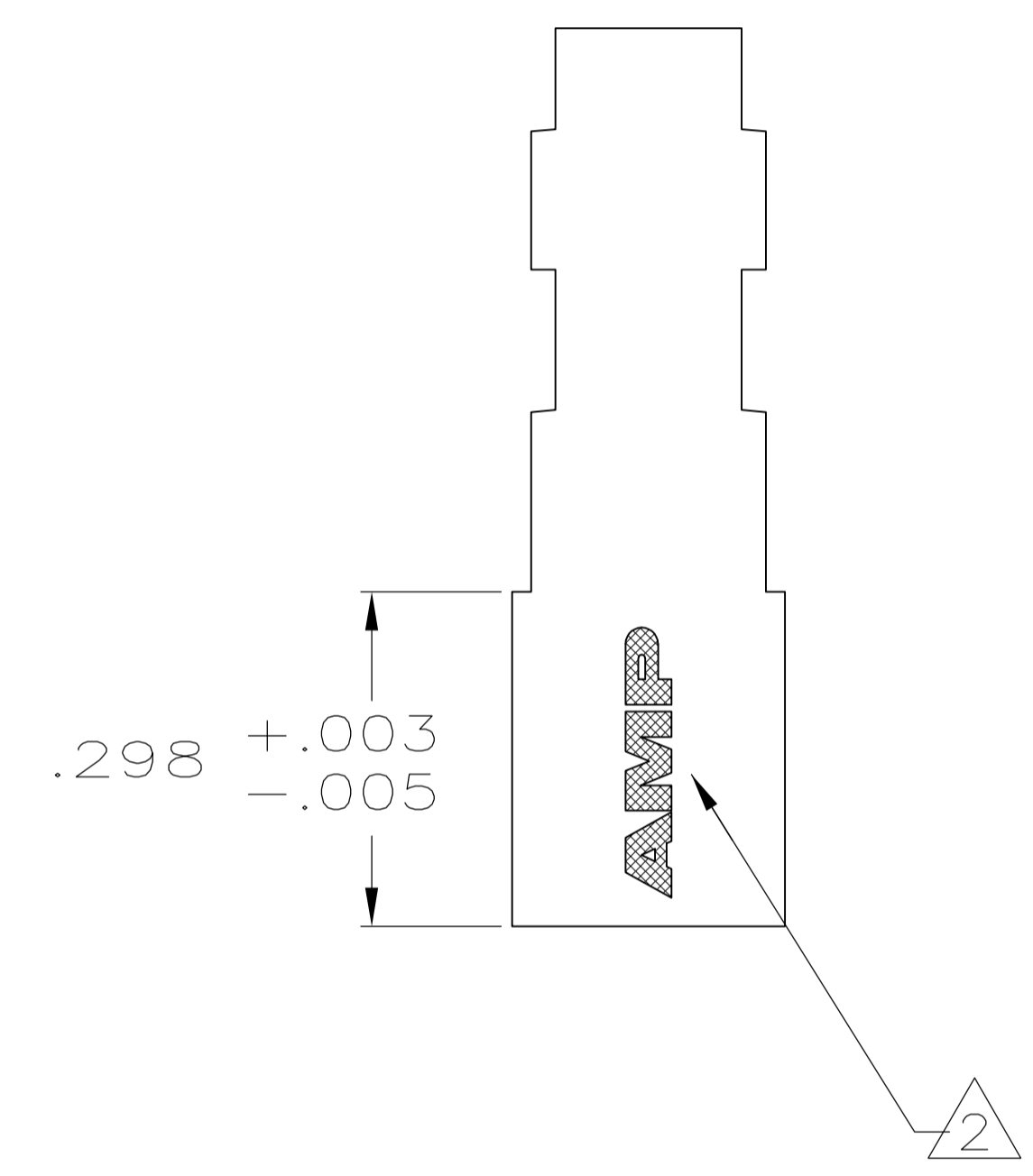
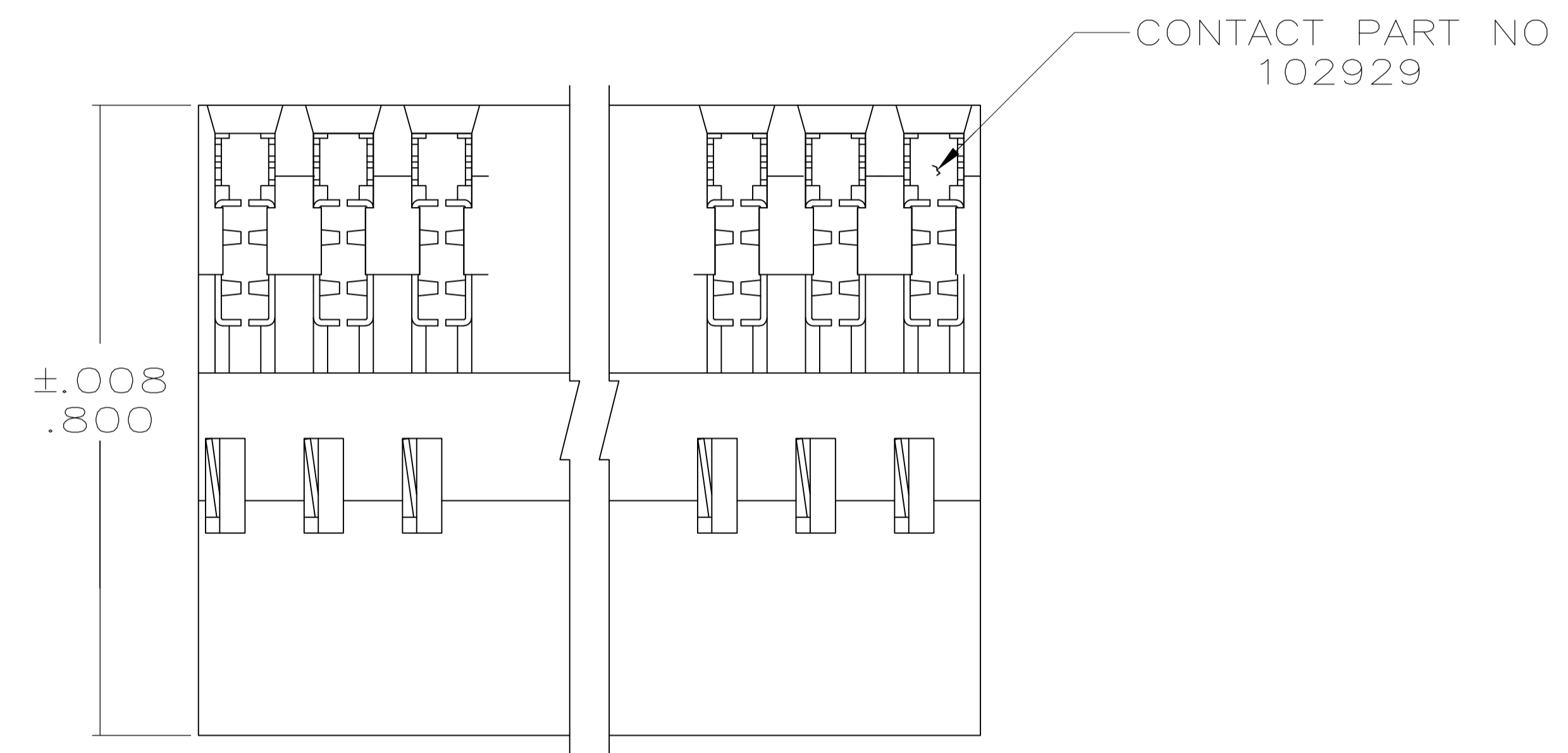


- ① CAVITY LOCATION DIMENSIONS INCREASE IN INCREMENTS OF .125 - TOLERANCE NON-CUMULATIVE
- ② AMP LOGO MOLDED IN APPROXIMATE AREA SHOWN.
- ③ .000050 GOLD IN CONTACT AREA, .000100-.000200 TIN ON THE TERMINATION AREA, ALL OVER .000050 NICKEL
- ④ .000030 GOLD IN CONTACT AREA, .000100-.000200 TIN ON THE TERMINATION AREA, ALL OVER .000050 NICKEL.



	④	1.868	1.750	14	30	5-5102935-7
	③	2.493	2.375	19	40	3-5102935-6
	③	1.993	1.875	15	32	2-5102935-8
	③	1.493	1.375	11	24	1-5102935-9
	③	1.243	1.125	7	20	1-5102935-6
	③	.993	.875	9	16	1-5102935-2
	③	.743	.625	5	12	5102935-8
	③	.618	.500	4	10	5102935-6
	③	.493	.375	3	8	5102935-4
REMARKS	FINISH	C	B	A	NO OF POSN	ASSEMBLY PART NUMBER

THIS DRAWING IS A CONTROLLED DOCUMENT.

DN: S. BURKHOLDER 04OCT2004
 CHK: M. YEOMANS 22NOV04
 APVD: M. YEOMANS 22NOV04

STE TE Connectivity

RECEPTACLE ASSY, LEVEL V
 DOUBLE ROW, .125 x .125 CL
 #22 - #26 Gage, LEAD FREE

APPROXIMATE DIMENSIONS: 0 PLG ± - , 1 PLG ± - , 2 PLG ± - , 3 PLG ± - , 4 PLG ± - , ANGLES ± -

MATERIAL: - FINISH: - WEIGHT: -

SIZE: A1 CAGE CODE: 00779 DRAWING NO: 5102935 RESTRICTED TO: -

CUSTOMER DRAWING SCALE: 4:1 SHEET: 1 OF 1 REV: D1