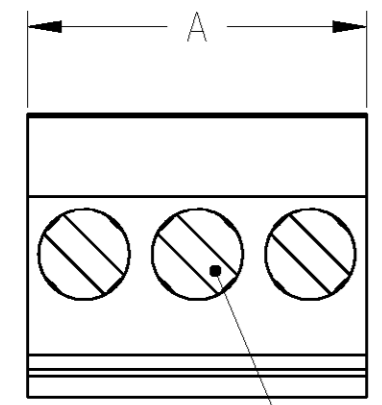


THIS DRAWING IS UNPUBLISHED. RELEASED FOR PUBLICATION 20
 © COPYRIGHT BY ALL RIGHTS RESERVED.

LOC	DIST	REVISIONS			
P	LTR	DESCRIPTION	DATE	DWN	APVD
FT	0	A1 REVISED PER ECO-11-005294	30APR11	RK	HMR

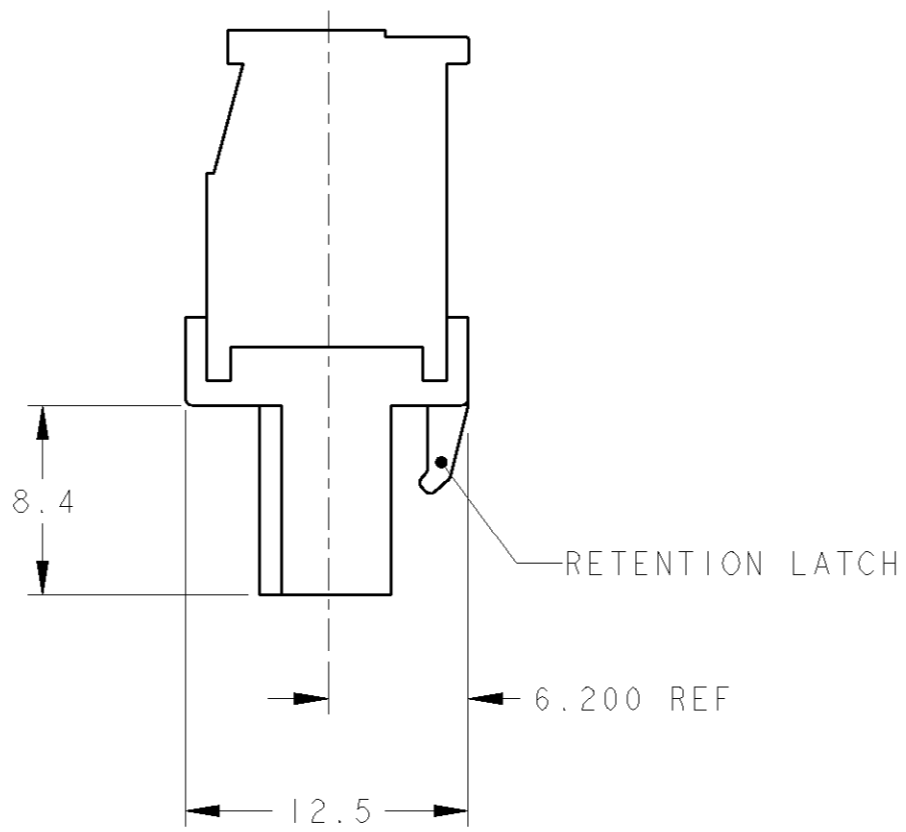
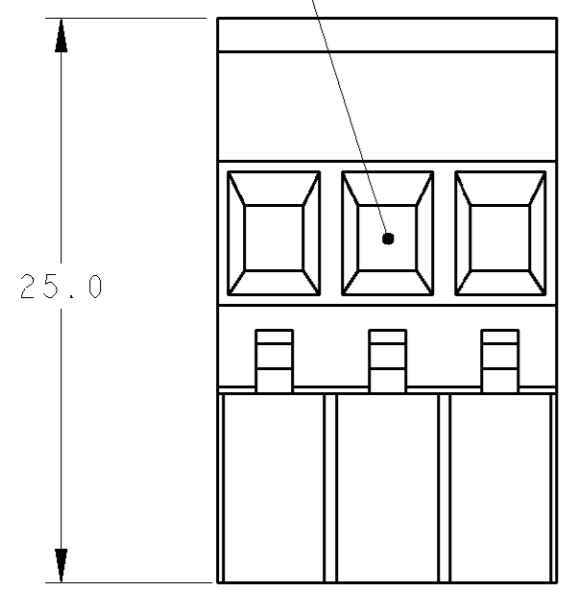


- 1 MATERIALS AND FINISH
 HOUSING: PA 6-6, UL 94-V0, COLOR: BLACK.
 CLAMP: BRASS, NICKEL PLATED.
 CONTACT SPRING : PHOSPHOR BRONZE, TIN PLATED.
 CLAMPING SCREW: M3, BRASS, NICKEL PLATED.
- 2. WIRE SIZE RANGE: 12 - 30 AWG
- 3 NOT CUMULATIVE TOLERANCE.
- 4 INK MARKING: WHITE COLOR
 NUMERICAL SEQUENCE: FROM LEFT TO RIGHT.

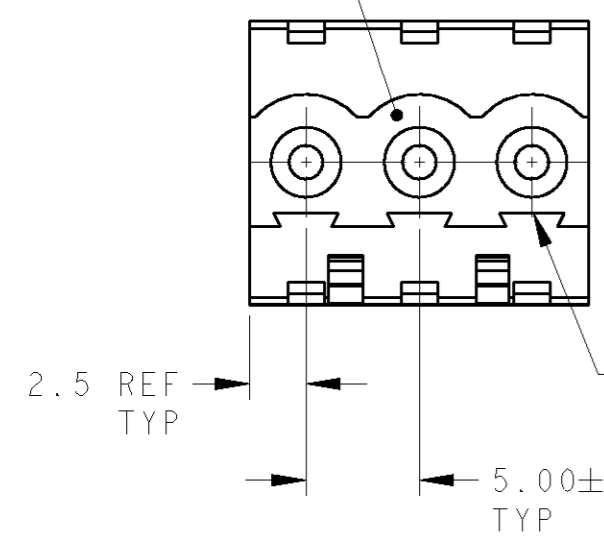
SEE DETAIL N	30	6	3-1546118-6
SEE DETAIL M	110	22	3-1546118-2
-	125	25	2-1546118-5
-	120	24	2-1546118-4
-	115	23	2-1546118-3
-	110	22	2-1546118-2
-	105	21	2-1546118-1
-	100	20	2-1546118-0
-	95	19	1-1546118-9
-	90	18	1-1546118-8
-	85	17	1-1546118-7
-	80	16	1-1546118-6
-	75	15	1-1546118-5
-	70	14	1-1546118-4
-	65	13	1-1546118-3
-	60	12	1-1546118-2
-	55	11	1-1546118-1
-	50	10	1-1546118-0
-	45	9	1546118-9
-	40	8	1546118-8
-	35	7	1546118-7
-	30	6	1546118-6
-	25	5	1546118-5
-	20	4	1546118-4
-	15	3	1546118-3
-	10	2	1546118-2

MARKING	A	NO OF POSN	PART NUMBER
---------	---	------------	-------------

WIRE ENTRY CLAMPING SCREW



MATING FACE POLARIZATION KEY SLOT



DIMENSIONS: mm 		TOLERANCES UNLESS OTHERWISE SPECIFIED: 0 PLC ±. 1 PLC ±.3 2 PLC ±.25 3 PLC ±. 4 PLC ±. ANGLES ±2		DWN S. WELDON 26AUG2002 CHR C. RICHARD 26AUG2002 APVD C. RICHARD 26AUG2002 PRODUCT SPEC APPLICATION SPEC WEIGHT -		TE Connectivity NAME TERMINAL BLOCK VERTICAL PLUG STACKING LEFT HAND 5.0mm PITCH		SIZE A3 CAGE CODE 00779 DRAWING NO C-1546118 RESTRICTED TO -	
MATERIAL 		FINISH 		CUSTOMER DRAWING		SCALE 3:1 SHEET 1 OF 2 REV A1			

4

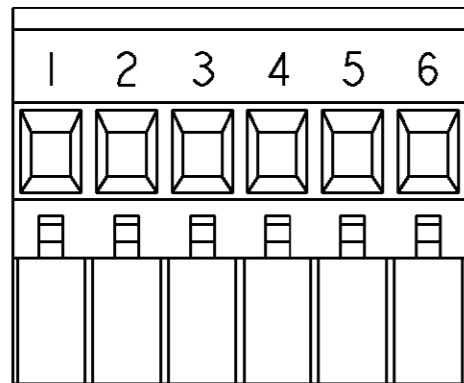
3

2

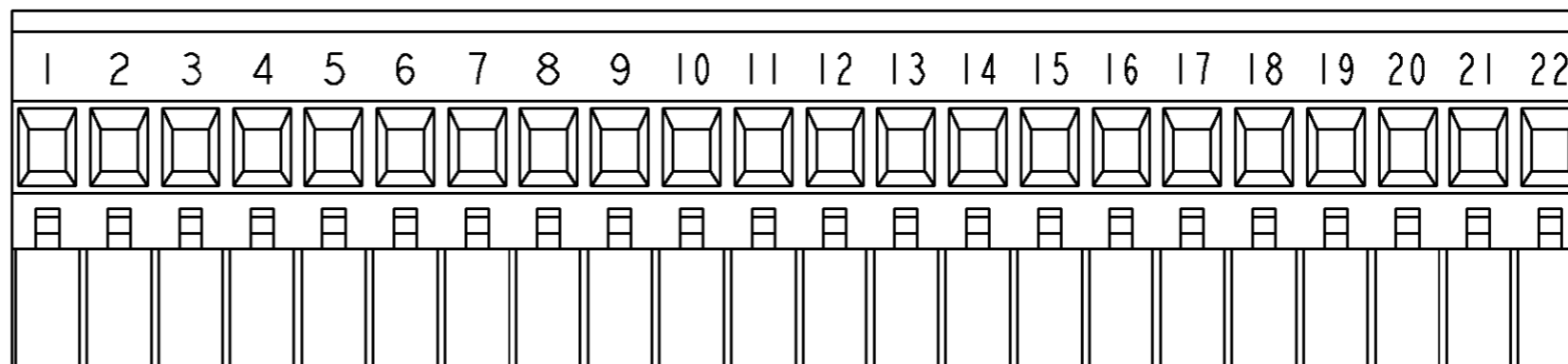
1

THIS DRAWING IS UNPUBLISHED. RELEASED FOR PUBLICATION 20
 © COPYRIGHT BY ALL RIGHTS RESERVED.

LOC	DIST	REVISIONS			
P	LTR	DESCRIPTION	DATE	DWN	APVD
		SEE SHEET 1	-	-	-



DETAIL N
SCALE 2:1



DETAIL M
SCALE 2:1

DIMENSIONS: mm		TOLERANCES UNLESS OTHERWISE SPECIFIED:		DWN S. WELDON 26AUG2002		TE Connectivity	
		0 PLC ±-		CHR C. RICHARD 26AUG2002			
		1 PLC ±.3		APVD C. RICHARD 26AUG2002			
MATERIAL -		FINISH -		PRODUCT SPEC -		SIZE A3	
				APPLICATION SPEC -		CAGE CODE 00779	
				WEIGHT -		DRAWING NO C-1546118	
				CUSTOMER DRAWING		RESTRICTED TO -	
						SCALE 3:1	
						SHEET 2 OF 2	
						REV A1	