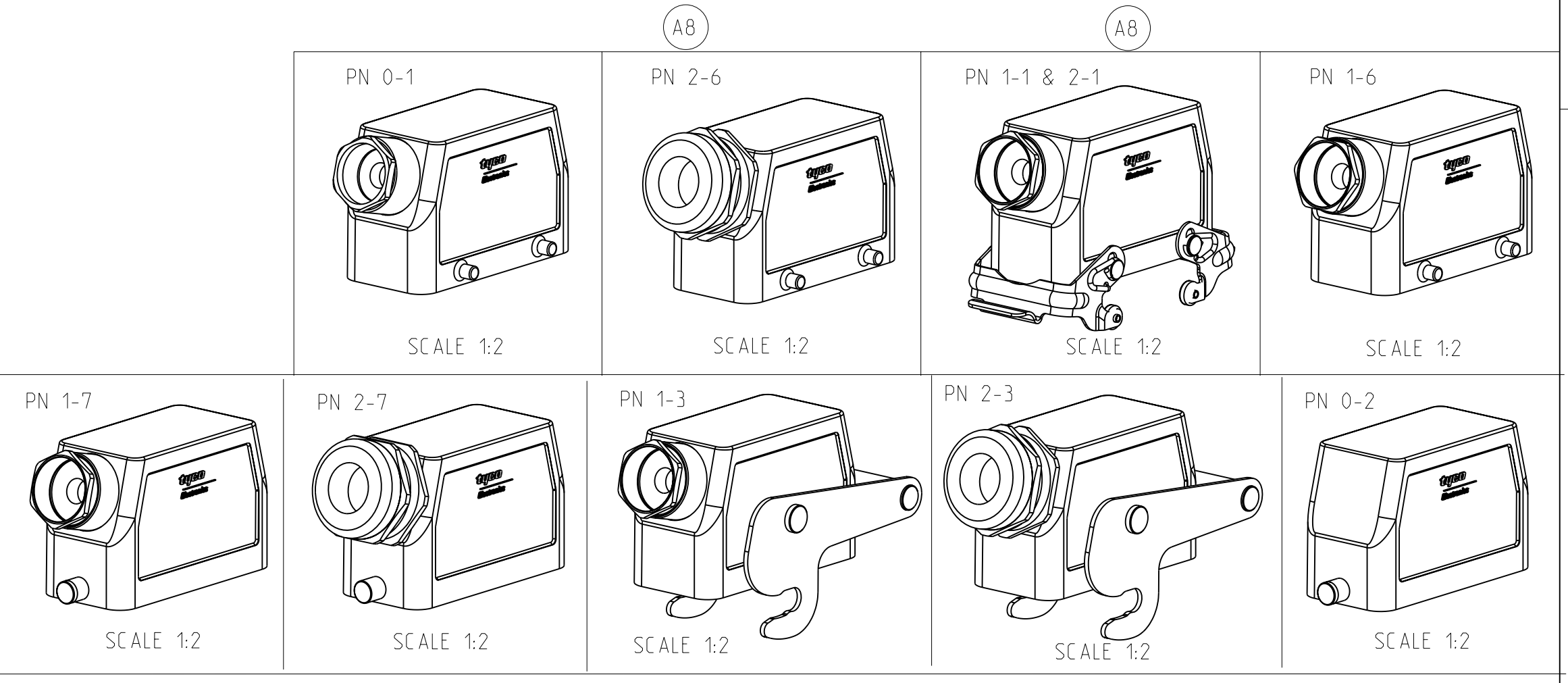


LOC	DIST	REVISIONS					
A1	-	P	LTR	DESCRIPTION	DATE	DWN	APVD
		AB	ECR-10-022250		27.10.2010	SR	AR

- NOTES
- Material: Housing: aluminium diecasting alloy
Seals: Neoprene: Viton
 - Surface: - Powder varnish grey
- Aluminium oxide-Varnish black/ White/ Yellow
 - Varnish on the inside not necessary
 - Packaging
Packaging quantity 5 piece in a box
 - Special packaging quantity 50 pieces in kanban-box
- 6** OBSOLETE PARTS: OBSOLETE C IS STREAMLINING PER D.RENAUD/D.SINISI



QTY	ITEM NO	DESCRIPTION	MATERIAL	SURFACE	COLOR	ITEM NO	NOTES
1		Hood HB.16	Aluminium		Grey	14	Without Bolt
1		Cable connection round PG21	Brass	Nickel plated	-	13	Seal from Viton
1		Hood HB.16.Pg.1.21	Aluminium	-	Black	12	Unpainted
	1	ZB-Central locking	Stainless steel	-	-	11	-
		ZB-Central locking	Steel	Zinc plated	Blue	10	-
	2	LB-Clip bolt	Stainless steel	Blank	-	9	-
		LB-Clip bolt	Steel	Zinc plated	Blue	8	-
		VS-Locking clip	Stainless steel	-	-	7	-
	2	VS-Locking clip	Steel	Zinc plated	Blue	6	-
		VS-Clip bolt	Stainless steel	-	-	5	-
		Gland fitting PG21	Brass	Nickel plated		4	-
	1	Cable connection round PG21	Brass	Nickel plated		3	-
	1	Hood HB.16.Pg.1.21	Aluminium	Aluminium oxide	Black	2	-
	1	Hood HB.16.Pg.1.21	Aluminium	-	Grey	1	-

ORDERING TEXT					
HB.16-ST-GR	HB.16.STS.1.21-V-S0	HB.16-ST-SLS-ZB.1.21	HB-Z.16.STS-ZB.1.21	HB-K.16.STS-GR.1.21	HB.16.STS-GR.1.21
HB-K.16.STS-VS.1.21	HB.16.STS-VS.1.21	HB-K.16.STS.1.21	HB.16.STS.1.21		
0-20-12-3	1-32-71-7	2-11-12-6	1-6		

DIMENSIONS: mm	TOLERANCES UNLESS OTHERWISE SPECIFIED: 0 $\frac{0.1}{0.05}$ 1 $\frac{0.05}{0.02}$ 2 $\frac{0.02}{0.01}$ 3 $\frac{0.01}{0.005}$ 4 $\frac{0.005}{0.002}$ 5 $\frac{0.002}{0.001}$ 6 $\frac{0.001}{0.0005}$ 7 $\frac{0.0005}{0.0002}$ 8 $\frac{0.0002}{0.0001}$ 9 $\frac{0.0001}{0.00005}$	DWN Schneider 30.11.1998 CBY Schneider 30.11.1998 APVD PRODUCT SPEC APPLICATION SPEC WEIGHT CUSTOMER DRAW ING	Tyco Electronics AMP GmbH 53757 Sankt Augustin (Germany)	NAME Hood.HB.16 SIZE CAGE CODE DRAWING NO A1 00779 C-1102289	RESTRICTED TO SCALE 1:1 SHEET 1 OF 1 REV A8
-------------------	--	---	---	--	--