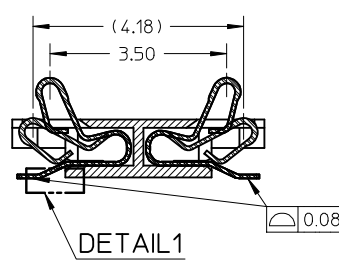
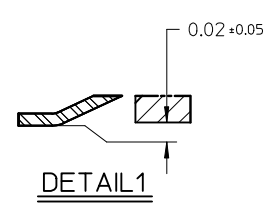
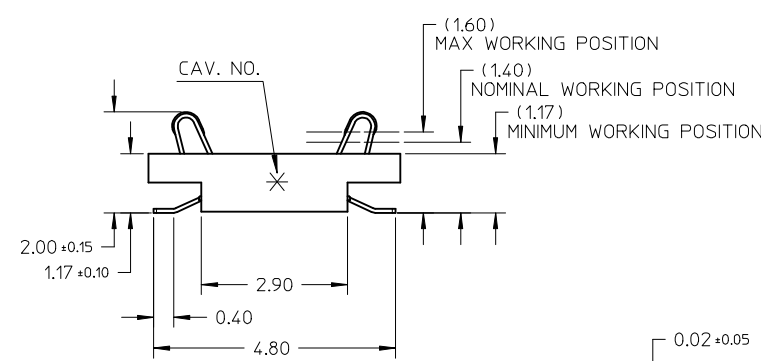
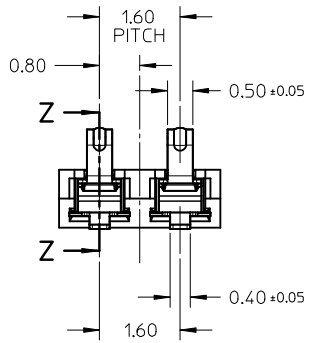


RECOMMENDED PCB LAYOUT
RECOMMENDED TOLERANCE: ±0.02MM

RECOMMENDED MATING PAD LAYOUT
RECOMMENDED TOLERANCE: ±0.02MM

- NOTES:
- MATERIALS:
HOUSING: LIQUID CRYSTAL POLYMER, GLASS FILLED, COLOUR: BLACK;
TERMINAL: COPPER ALLOY;
 - FINISH:
1.27 MICROMETER MIN. NICKEL UNDERPLATING OVERALL,
0.10 MICROMETER MIN. GOLD PLATING ON CONTACT AREA,
1.27 MICROMETER MIN. MATTE TIN PLATING ON SOLDERING AREA;
 - RECOMMENDED MATING PAD FINISH:
1.27 MICROMETER MIN. NICKEL UNDERPLATING AND 0.38 MICROMETER MIN. GOLD PLATING OVERALL;
 - PRODUCT SPECIFICATION: PLEASE REFER TO PS-78864-001;
 - DATE CODE PRINTED: XXX .
DAY OF THE YEAR

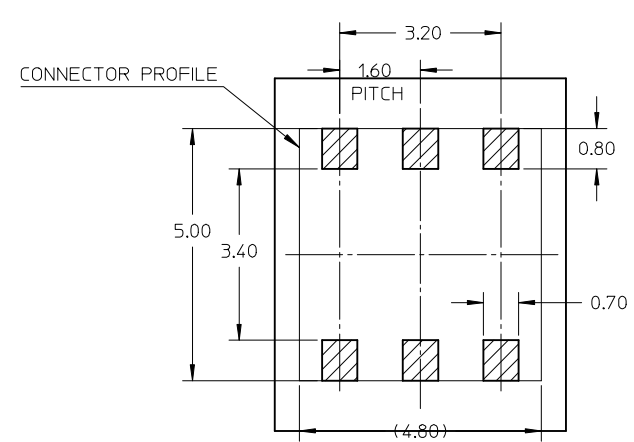
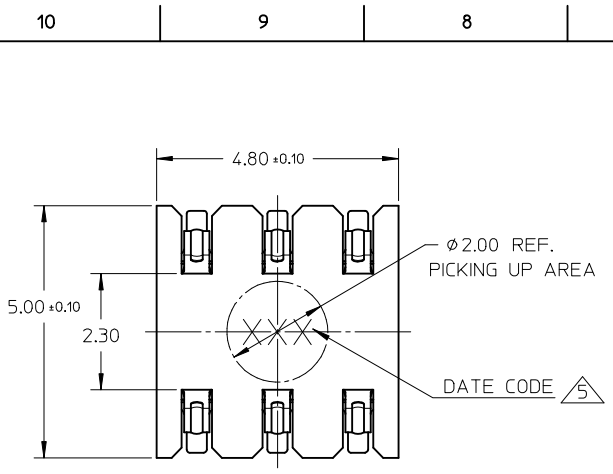


SECTION Z-Z

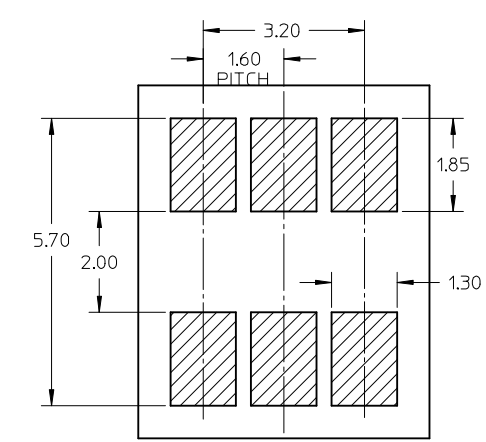
THIS DESIGN IS BASED ON DESIGN OBJECTIVES AND IS STRICTLY TENTATIVE. IT MAY CHANGE BASED ON RESULTS OF ADDITIONAL DESIGN REVIEWS & VERIFICATIONS.

| PART NUMBER | POS. NO. |
|-------------|----------|
| 788640001 | 4 |

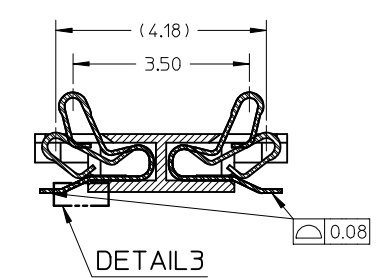
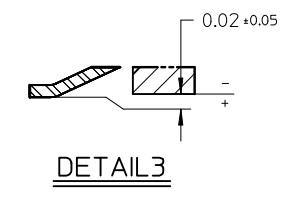
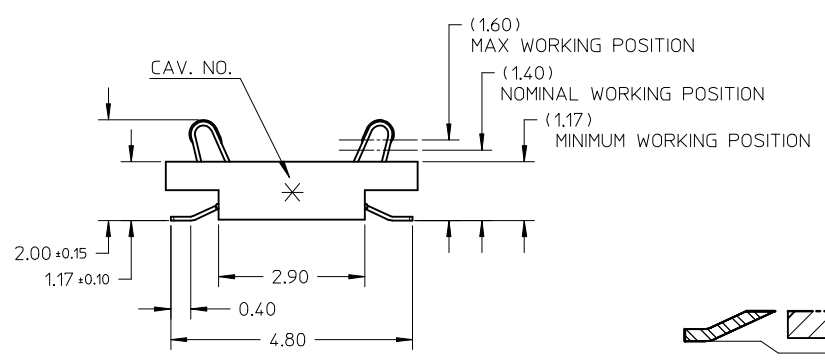
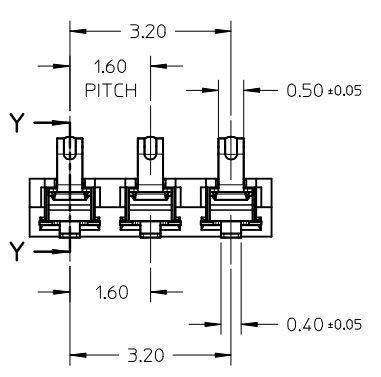
| | | | | | | | | | | | |
|---|---|--|-------|----------------------------|-----------------------|--|------------------------|------------------------|--|--|--|
| DRAWING RELEASE EC NO: S2015-1399 DRW: HTGU002 CHKD: JZENG APPR: KHL IM | QUALITY SYMBOLS FA=0 FC=0 FP=0 | GENERAL TOLERANCES (UNLESS SPECIFIED) | | DIMENSION STYLE MM ONLY | | SCALE NTS | DESIGN UNITS METRIC | THIRD ANGLE PROJECTION | | | |
| | | mm | INCH | DRAWN BY HLWANG06 | DATE 2013/07/13 | TITLE SALES DRAWING FOR BATTERY 1.2H 1.6MM PITCH DOUBLE ROW CONNECTOR | | | | | |
| | | 4 PLACES | ± --- | ± --- | CHECKED BY JTAN02 | DATE 2013/08/26 | | | | | |
| | | 3 PLACES | ± --- | ± --- | APPROVED BY KHL IM | DATE 2013/08/28 | | | | | |
| ANGULAR ± 3 ° | | DRAFT WHERE APPLICABLE MUST REMAIN WITHIN DIMENSIONS | | MATERIAL NO. SEE TABLE | | DOCUMENT NO. SD-78864-001 | | SHEET NO. 1 OF 2 | | | |
| THIS DRAWING CONTAINS INFORMATION THAT IS PROPRIETARY TO MOLEX INCORPORATED AND SHOULD NOT BE USED WITHOUT WRITTEN PERMISSION | | | | | | | | | | | |



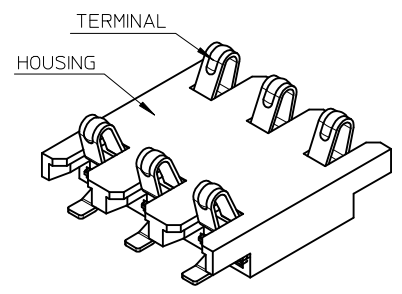
RECOMMENDED PCB LAYOUT
RECOMMENDED TOLERANCE: ±0.02MM



RECOMMENDED MATING PAD LAYOUT
RECOMMENDED TOLERANCE: ±0.02MM



SECTION Y-Y



DRAWING RELEASE
EC NO: S2015-1399
DRW:HTGU002
CHKD:JZENG
APPR:KHLIM

| REV | DESCRIPTION |
|-------------------|-------------|
| △ _A =0 | |
| △ _B =0 | |
| △ _C =0 | |

| | GENERAL TOLERANCES (UNLESS SPECIFIED) | |
|----------|---------------------------------------|-------|
| | mm | INCH |
| 4 PLACES | ± --- | ± --- |
| 3 PLACES | ± --- | ± --- |
| 2 PLACES | ± 0.20 | ± --- |
| 1 PLACE | ± --- | ± --- |
| 0 PLACE | ± --- | ± --- |

ANGULAR ± 3 °
DRAFT WHERE APPLICABLE MUST REMAIN WITHIN DIMENSIONS

| DIMENSION STYLE | |
|-----------------|------------|
| MM ONLY | |
| DRAWN BY | DATE |
| HLWANG06 | 2013/07/13 |
| CHECKED BY | DATE |
| JTAN02 | 2013/08/26 |
| APPROVED BY | DATE |
| KHLIM | 2013/08/28 |
| MATERIAL NO. | |
| SEE TABLE | |
| SIZE | |
| A3 | |

| SCALE | DESIGN UNITS | THIRD ANGLE PROJECTION |
|---|--------------|------------------------|
| NTS | METRIC | THIRD ANGLE PROJECTION |
| TITLE | | |
| SALES DRAWING FOR BATTERY 1.2H 1.6MM PITCH DOUBLE ROW CONNECTOR | | |
| molex | | |
| MATERIAL NO. | DOCUMENT NO. | SHEET NO. |
| | SD-78864-001 | 2 OF 2 |
| THIS DRAWING CONTAINS INFORMATION THAT IS PROPRIETARY TO MOLEX INCORPORATED AND SHOULD NOT BE USED WITHOUT WRITTEN PERMISSION | | |

| PART NUMBER | POS. NO. |
|-------------|----------|
| 788641001 | 6 |