

CASE FINISH	CURRENT (AMPS)	WORKING VOLTAGE				MAXIMUM DC RESISTANCE (OHMS)	MAXIMUM VOLTAGE DROP		MINIMUM CAPACITANCE (uF)	MIN. INSERTION LOSS PER MIL-STD-220, FULL LOAD, +25°C												
		-55° TO +85°C		-55° TO +125°C			DC	AC		14 KHz	30 KHz	50 KHz	75 KHz	100 KHz	150 KHz	300 KHz	500 KHz	1 MHz	10 MHz	100 MHz	1 GHz	2.75 GHz
		AC	DC	AC	DC																	
SOLDER	3.0	--	--	125	150	--	0.09	0.15	--	--	--	--	--	5	6	--	47	80	--	70	70	

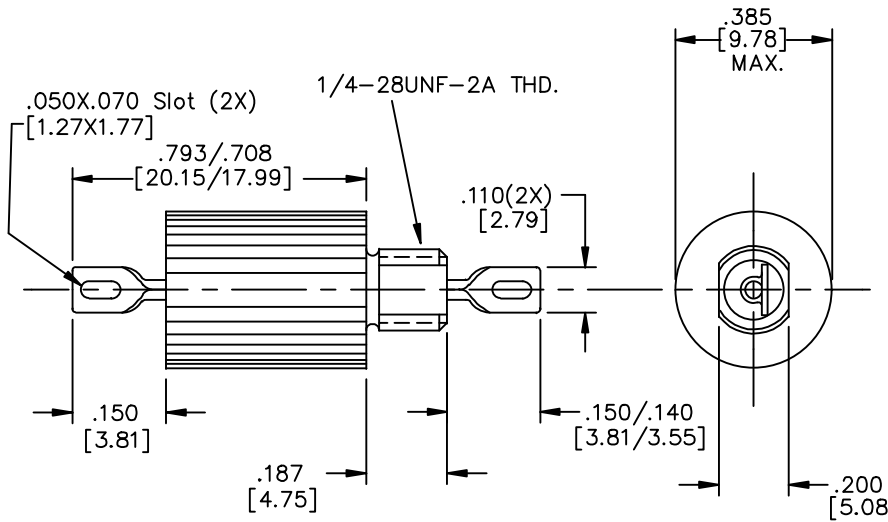
**PART MARKING:**  
M15733/26-0005  
OLSP2 125°C  
125 VACW 3A  
400Hz 150VDC  
51-311-312

**PACKAGE MARKING:**

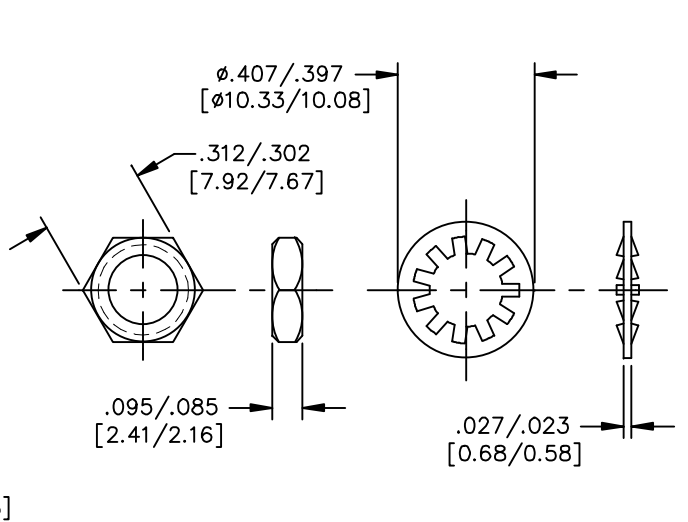
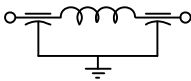
STANDARD

**MARKING NOTES:**

N/A



**SCHMATIC**



**MTG. HARDWARE**


**NOTES:**

- 1) MOUNTING TORQUE NOT TO EXCEED 7in-lbs.

THIS PART IS CODED "NCA". SPECTRUM CONTROL, INC. DOES NOT HAVE CHANGE AUTHORITY. CUSTOMER APPROVAL REQUIRED BEFORE PRODUCT/PROCESS CHANGES CAN BE MADE.

REV.	CHG.	DATE	DESCRIPTION	BY
46				
45				
44				
43				
42				
41				
40				
39				
38				
37				
36				
35				
34				
33				
32				
31				
30				
29				
28				
27				
26				
25				
24				
23				
22				
21				
20				
19				
18				
17				
16				
15				
14				
13				
12				
11				
10				
9				
8				
7				
6				
5				
4				
3				
2				
1				

UNLESS OTHERWISE SPECIFIED DIMENSIONS ARE IN INCHES [MILLIMETERS]	TOLERANCES UNLESS OTHERWISE SPECIFIED Fractions ±	 <b>FAIRVIEW PENNSYLVANIA</b>
DO NOT SCALE	Dec. .xx± Dec. .xxx± .010 Angles ±0° 30'	
③ THIRD ANGLE PROJECTION	CODE IDENT. NO. OLSP2	<b>Description Low Pass EMI Filter</b> 51-311-312 Engr. J.Kraus Date 12-11-07 Sheet 1 of 1

Quality Products From The Specialists In Electro-Magnetic Compatibility