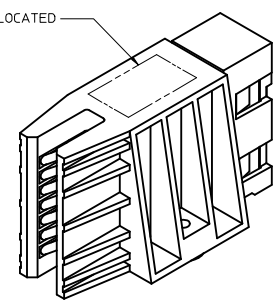
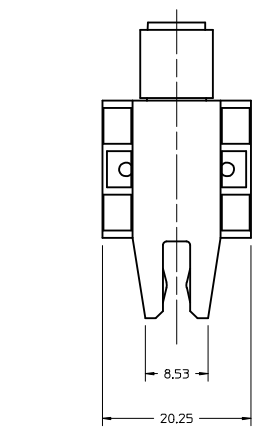


ASSEMBLY MATERIAL NUMBER	DESCRIPTION	MOUNTING OPTION (SEE NOTE 11)
172201-0001	POWER RECEPTACLE ASSEMBLY - PRESS-FIT	SCREW MOUNT
172201-0002	POWER RECEPTACLE ASSEMBLY - SOLDER TAIL	SCREW MOUNT

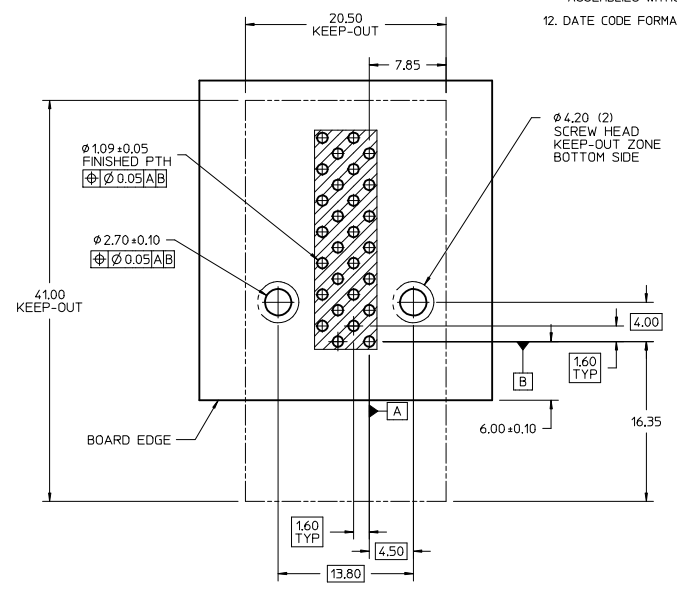
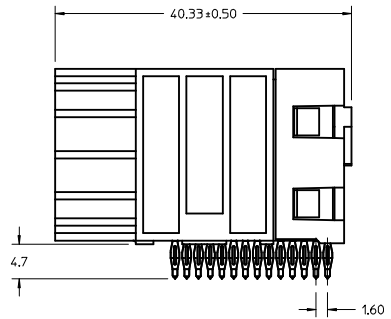
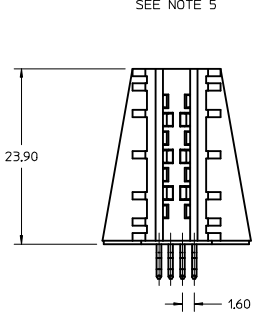
DATE CODE TO BE LOCATED IN THIS AREA SEE NOTE 7



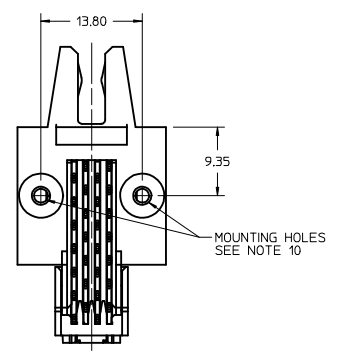
- NOTES:
- MATERIALS:  
-HOUSING: GLASS FILLED, LCP 94V-0, COLOR: BLACK  
-TERMINALS: COPPER ALLOY
  - FINISH:  
-125 μ INCH MIN. SILVER PLATE IN CONTACT AREA ONLY,  
-100 μ INCH MIN. SELECT TIN IN TAIL AREA OVER  
-50 μ INCH MIN. NICKEL OVERALL
  - LUBRICATION: EB4 IN CONTACT AREA
  - REFERENCE DOCUMENT: PS-172201-001, AS-172201-001
  - MODULE ASSEMBLY IS RoHS COMPLIANT
  - GATHERABILITY: ±1.80 X-DIRECTION
  - RECOMMENDED PCB THICKNESS 3.18/125 MIN
  - FINAL ASSEMBLY TO BE PACKAGED AND LABELED PER PACKAGING KIT DRAWING NUMBER PK-172201-001
  - BUSS BAR REQUIRES SILVER OVER NICKEL PLATING WITH AN ENVIRONMENTAL BARRIER APPLIED IN THE CONTACT AREA
  - BUSS BAR MUST HAVE A RADIUS ON THE MATING EDGE WITH NO SHARP EDGES/CORNERS
  - CONNECTOR IS SUPPLIED WITH (2) #2-32 TYPE AB SELF TAPPING SCREWS, RECOMMENDED TORQUE: 0.29 N·M (2.5 IN·LB)
  - MOLEX RECOMMENDS THE USE OF MOUNTING SCREWS FOR ADDITIONAL MECHANICAL SUPPORT WITH PRESS-FIT CONTACTS. REFER TO DRAWING SD-172202-0002 FOR ASSEMBLIES WITHOUT SCREW MOUNT.
  - DATE CODE FORMAT IS DDDMMYY



X - GATHERABILITY SEE NOTE 5



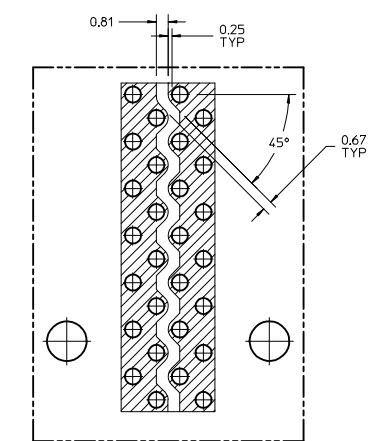
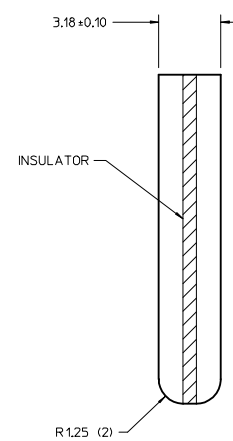
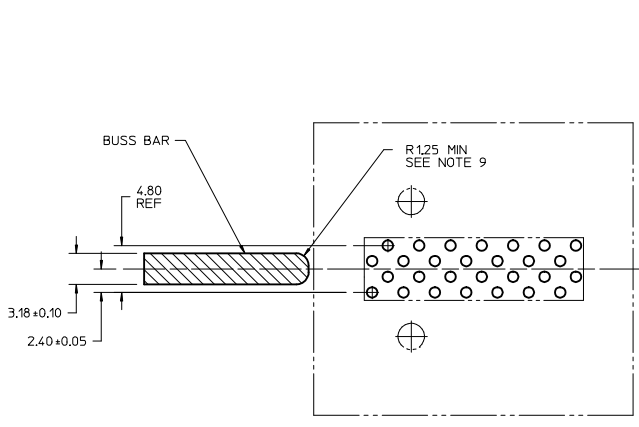
RECOMMENDED PCB LAYOUT COMPONENT SIDE  
3.18 MIN PCB THICKNESS



MOUNTING HOLES SEE NOTE 10

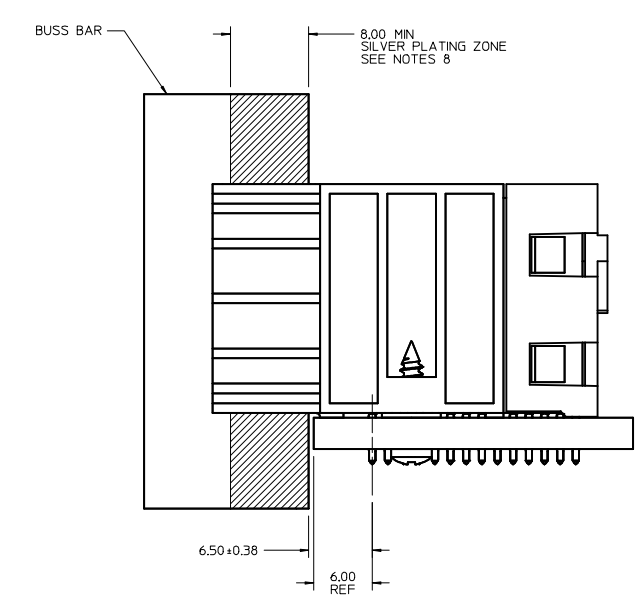
<b>REVISED NOTE</b> IEC NO. UCP2015-5116 DRAWN BY: CHYKMBANDURA CHECKED BY: APATEL APPR: APATEL DATE: 2015/06/09 DATE: 2015/06/11 DESCRIPTION:	QUALITY SYMBOLS	GENERAL TOLERANCES (UNLESS SPECIFIED)	DIMENSION STYLE	SCALE	DESIGN UNITS	THIRD ANGLE PROJECTION
	∇=0 ∇=0 ∇=0	4 PLACES ±--- 3 PLACES ±--- 2 PLACES ±0.25 1 PLACE ±0.38 0 PLACE ±---	mm INCH ANGULAR ±1/2° DRAFT WHERE APPLICABLE MUST REMAIN WITHIN DIMENSIONS	MM ONLY DRAWN BY: MBANDURA CHECKED BY: PATEL APPROVED BY: APATEL DATE: 2013/09/11 DATE: 2013/12/20 DATE: 2014/01/29	3:1	METRIC
MATERIAL NO. SEE CHART DOCUMENT NO. SD-172201-0001			TITLE: ASSEMBLY, RECEPTACLE BUSS BAR CONNECTOR EXTREME POWERMASS 		SHEET NO. 1 OF 2	

20 19 18 17 16 15 14 13 12 11 10 9 8 7 6 5 4 3 2 1



BUSS BAR INSULATOR PAD LAYOUT

BUSS BAR & PAD LAYOUT FOR 2 CIRCUIT APPLICATION



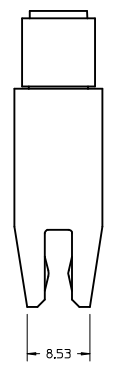
BUSS BAR MATING DIMENSIONS

<b>SEE SHEET 1</b> IEC NO: UCP2015-5116 DRAWN: JUILLES 2015/06/09 CHKD: MBANDURA 2015/06/09 APPR: APATEL 2015/06/11	QUALITY SYMBOLS	GENERAL TOLERANCES (UNLESS SPECIFIED)	DIMENSION STYLE	SCALE	DESIGN UNITS	THIRD ANGLE PROJECTION
	▽=0	mm INCH	MM ONLY	4:1	METRIC	☉
	▽=0	4 PLACES ± --- ± ---	DRAWN BY	DATE	TITLE	
	▽=0	3 PLACES ± --- ± ---	MBANDURA	2013/09/11	ASSEMBLY, RECEPTACLE BUSS BAR CONNECTOR EXTREME POWERMASS	
▽=0	2 PLACES ± 0.25 ± ---	CHECKED BY	DATE	MATERIAL NO.		SHEET NO.
	1 PLACE ± 0.38 ± ---	APATEL	2013/12/20	SEE CHART		2 OF 2
	0 PLACE ± --- ± ---	APPROVED BY	DATE	DOCUMENT NO.		
	ANGULAR ±1/2°	APATEL	2014/01/29	SD-172201-0001		
	DRAFT WHERE APPLICABLE MUST REMAIN WITHIN DIMENSIONS	THIS DRAWING CONTAINS INFORMATION THAT IS PROPRIETARY TO MOLEX INCORPORATED AND SHOULD NOT BE USED WITHOUT WRITTEN PERMISSION				

19 18 17 16 15 14 13 12 11 10 9 8 7 6 5 4 3 2 1

ASSEMBLY MATERIAL NUMBER	DESCRIPTION	MOUNTING OPTION (SEE NOTE 10)
172201-0003	POWER RECEPTACLE ASSEMBLY - SOLDER TAIL	NONE

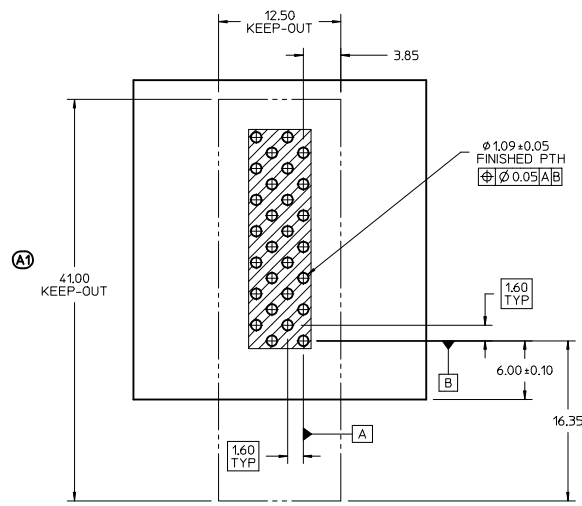
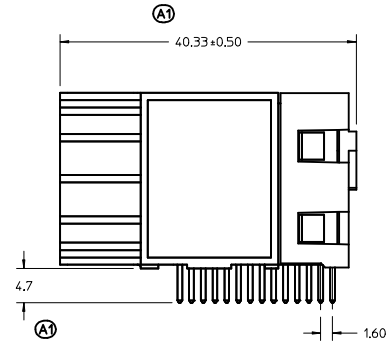
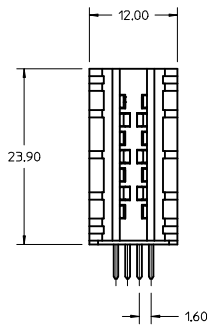
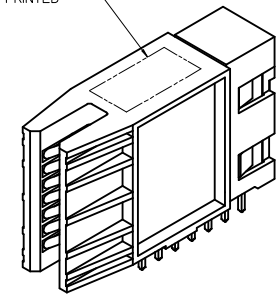
- NOTES:
- MATERIALS:  
-HOUSING: GLASS FILLED, LCP 94V-0, COLOR: BLACK.  
-TERMINALS: COPPER ALLOY.
  - FINISH:  
-125 μ INCH MIN. SILVR PLATE IN CONTACT AREA ONLY.  
-100 μ INCH MIN. SELECT TIN IN TAIL AREA OVER  
-50 μ INCH MIN. NICKEL OVERALL.
  - LUBRICATION: EB4 IN CONTACT AREA.
  - REFERENCE DOCUMENT: PS-172201-001, AS-172201-001
  - MODULE ASSEMBLY IS RoHS COMPLIANT.
  - GATHERABILITY: ±1.80 FROM CENTER IN X-DIRECTION
  - RECOMMENDED PCB THICKNESS 3.18/125 MIN.
  - FINAL ASSEMBLY TO BE PACKAGED AND LABELED PER PACKAGING KIT DRAWING NUMBER PK-172201-001
  - BUSS BAR REQUIRES SILVER OVER NICKEL PLATING WITH AN ENVIRONMENTAL BARRIER APPLIED IN THE CONTACT AREA.
  - BUSS BAR MUST HAVE A RADIUS ON THE MATING EDGE WITH NO SHARP EDGES/CORNERS.
  - REFER TO DRAWING SD-172201-0001 FOR ASSEMBLIES WITH SCREW MOUNT FEATURE.
  - DATE CODE FORMAT IS YYYYMMDD.



X - GATHERABILITY SEE NOTE 5

DATE CODE TO BE PRINTED IN THIS AREA SEE NOTE 11

(A1)



RECOMMENDED PCB LAYOUT  
COMPONENT SIDE  
3.18 MIN PCB THICKNESS

<b>REVISED</b> IEC NO. UCFF2015-0227 DRAWN BY MBANDURA 2014/08/14 CHKD: CHYK APPR: APATEL 2014/09/18 REVISION DESCRIPTION A1	QUALITY SYMBOLS	GENERAL TOLERANCES (UNLESS SPECIFIED)	DIMENSION STYLE	SCALE	DESIGN UNITS	THIRD ANGLE PROJECTION
	▽=0	mm INCH	MM ONLY	3:1	METRIC	ASSEMBLY, RECEPTACLE BUSS BAR CONNECTOR EXTREME POWERMASS
	▽=0	4 PLACES ±--- ±---	DRAWN BY DATE	TITLE		
	▽=0	3 PLACES ±--- ±---	MBANDURA 2013/11/19	molex		
	2 PLACES ±0.25 ±---	CHECKED BY DATE	DOCUMENT NO. SD-172201-0002			
	1 PLACE ±0.38 ±---	APATEL 2013/12/20	SHEET NO. 1 OF 2			
	0 PLACE ±--- ±---	APATEL 2014/01/29	MATERIAL NO. SEE CHART			
	ANGULAR ±1/2°	DRAFT WHERE APPLICABLE MUST REMAIN WITHIN DIMENSIONS	SIZE D THIS DRAWING CONTAINS INFORMATION THAT IS PROPRIETARY TO MOLEX INCORPORATED AND SHOULD NOT BE USED WITHOUT WRITTEN PERMISSION			

20 19 18 17 16 15 14 13 12 11 10 9 8 7 6 5 4 3 2 1

M

L

K

J

I

H

G

F

E

D

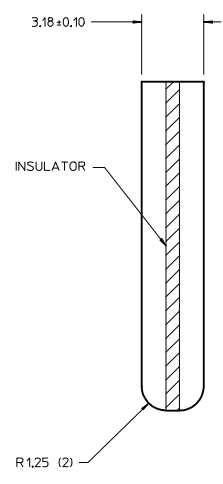
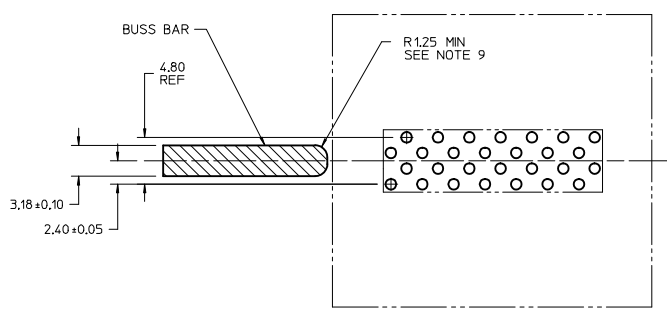
C

B

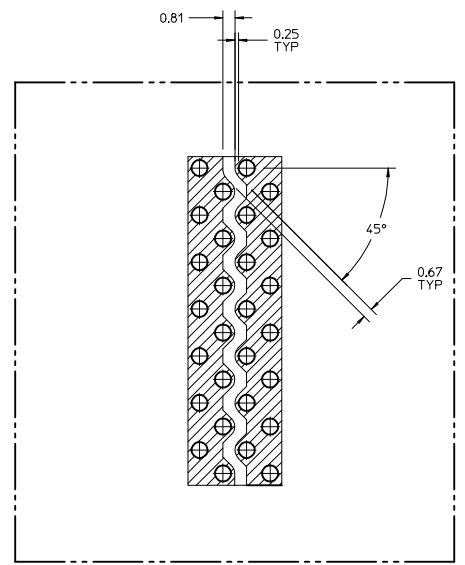
A

10. frame\_0\_P\_AM\_T  
Rev. G 2012/01/11

19 18 17 16 15 14 13 12 11 10 9 8 7 6 5 4 3 2 1

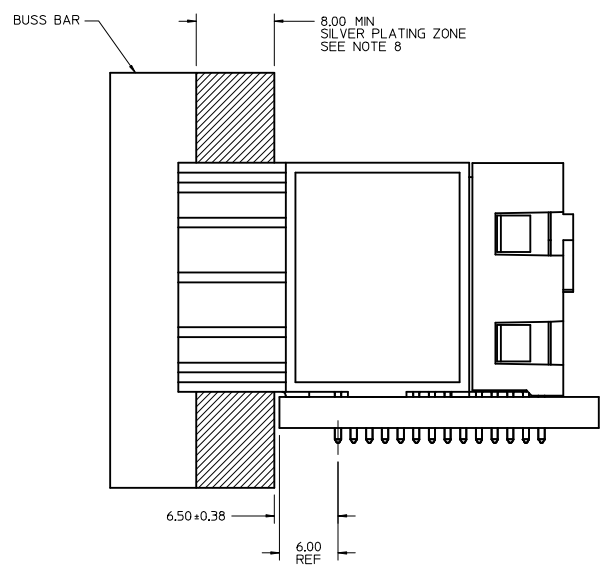


BUSS BAR



PAD LAYOUT

BUSS BAR & PAD LAYOUT  
FOR 2 CIRCUIT APPLICATION



BUSS BAR MATING DIMENSIONS

<b>SEE SHEET 1</b> IEC NO: UCP2015-0227 DRAWN BY: MBANDURA 2014/08/14 CHKD: CHYD: APPR: APATEL 2014/09/18 REV DESCRIPTION	QUALITY SYMBOLS ▽=0 ▽=0 ▽=0		GENERAL TOLERANCES (UNLESS SPECIFIED) mm INCH 4 PLACES ±--- ±--- 3 PLACES ±--- ±--- 2 PLACES ±0.25 ±--- 1 PLACE ±0.38 ±--- 0 PLACE ±--- ±--- ANGULAR ±1/2° DRAFT WHERE APPLICABLE MUST REMAIN WITHIN DIMENSIONS		DIMENSION STYLE MM ONLY DRAWN BY DATE MBANDURA 2013/11/19 CHECKED BY DATE PATEL 2013/12/20 APPROVED BY DATE APATEL 2014/01/29		SCALE 4:1 DESIGN UNITS METRIC THIRD ANGLE PROJECTION		TITLE ASSEMBLY, RECEPTACLE BUSS BAR CONNECTOR EXTREME POWERMASS <b>molex</b> MATERIAL NO. SEE CHART DOCUMENT NO. SD-172201-0002		SHEET NO. 2 OF 2	
	THIS DRAWING CONTAINS INFORMATION THAT IS PROPRIETARY TO MOLEX INCORPORATED AND SHOULD NOT BE USED WITHOUT WRITTEN PERMISSION											
	SIZE D											
	IEC NO: UCP2015-0227 DRAWN BY: MBANDURA 2014/08/14 CHKD: CHYD: APPR: APATEL 2014/09/18											