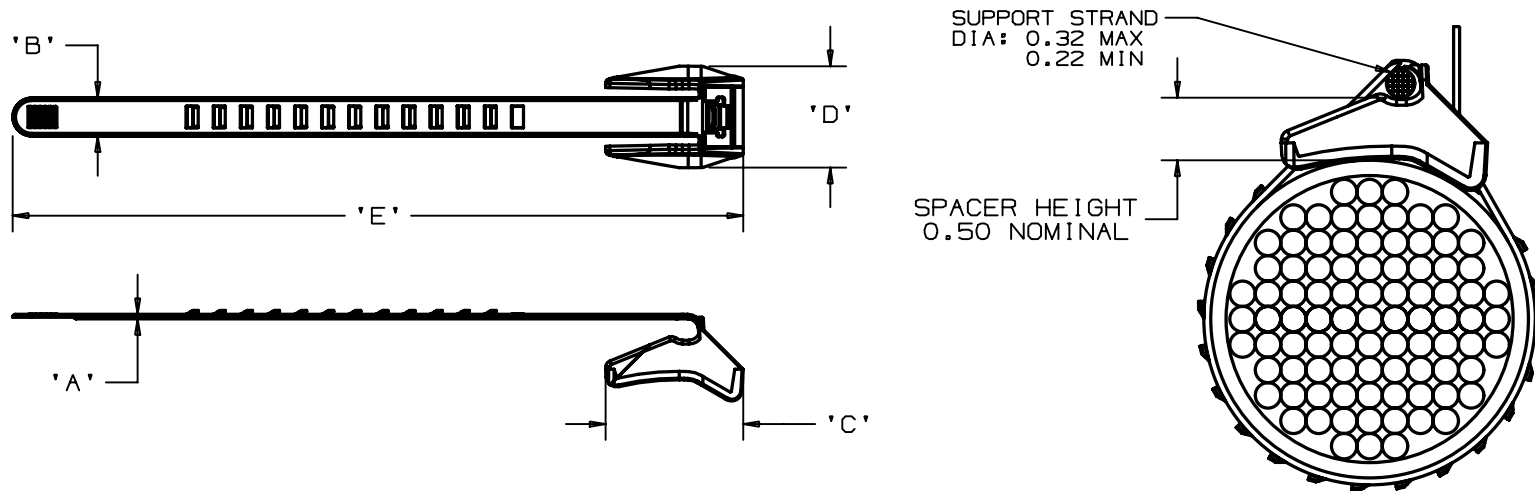


THIS COPY IS PROVIDED ON A RESTRICTED BASIS AND IS NOT TO BE USED IN ANY WAY DETRIMENTAL TO THE INTERESTS OF PANDUIT CORP.



PANDUIT PART NO.	BUNDLE DIA		'A'	'B'	'C'	'D'	'E'	MINIMUM LOOP TENSILE lbs/(N)	WEIGHT lbs(g)/100 pcs
	MIN	MAX							
AST10-5	0.25 (6.4)	1.0 (25.4)	0.055 (1.4)	0.448 (11.4)	1.59 (40.4)	1.16 (29.5)	5.6 (142)	75 (334)	1.3 (590)
AST15-5	0.25 (6.4)	1.5 (38.1)					6.9 (175)		1.4 (636)
AST20-5	0.25 (6.4)	2.0 (50.8)					8.4 (214)		1.5 (681)
AST25-5	0.25 (6.4)	2.5 (63.5)					10.0 (254)		1.6 (726)

NOTES:
1. SEE CURRENT PRICE SHEET FOR PART NUMBER SUFFIX DESIGNATION FOR PACKAGE SIZE.

DIMENSIONS IN BRACKETS ARE METRIC [mm]
CAD FILENAME/LAYERS G00239GY_DC_AST_03

PANDUIT CORP. TINLEY PARK, ILLINOIS

AST__-5
AERIAL SUPPORT TIE

REV	DATE	BY	CHK	DESCRIPTION	ECN	R	CUST	SUP
3	8-4-05	TMSA		ADDED DIMENSION "A" FOR AST25-5 THICKER STRAP MODIFICATION	GB0239GY	3		
2	11/29/04	JAD		CHANGED DIMS ON 'D' WAS 1.16(29.6) NOW 1.16 (29.5)	GB0239GY	2		
1	2/15/02	LGG		CHANGED DIMS ON 'D' WAS 1.165(29.6) NOW 1.16 (29.6)	GB0239GY	1		
R	1-22-01	CGSM		INITIAL RELEASE	GB0239GY	R		

UNLESS OTHERWISE SPECIFIED, DIMENSIONAL TOLERANCES ARE: (.X) ±0.05 (1.3) (.XXX) ±0.010 (0.25) (.XX) ±0.02 (0.5) ANGLES ± 5°		UNLESS OTHERWISE SPECIFIED, ALL DIMENSIONS ARE GIVEN IN INCHES, THIRD ANGLE PROJECTION.	
DRAWN BY CGSM	MAT'L: WEATHER RESISTANT POLYPROPYLENE BLACK	SCALE 1/2	DWG SIZE A
DATE 1-22-01		DRAWING NO. GB0239GY	
CHK'D			