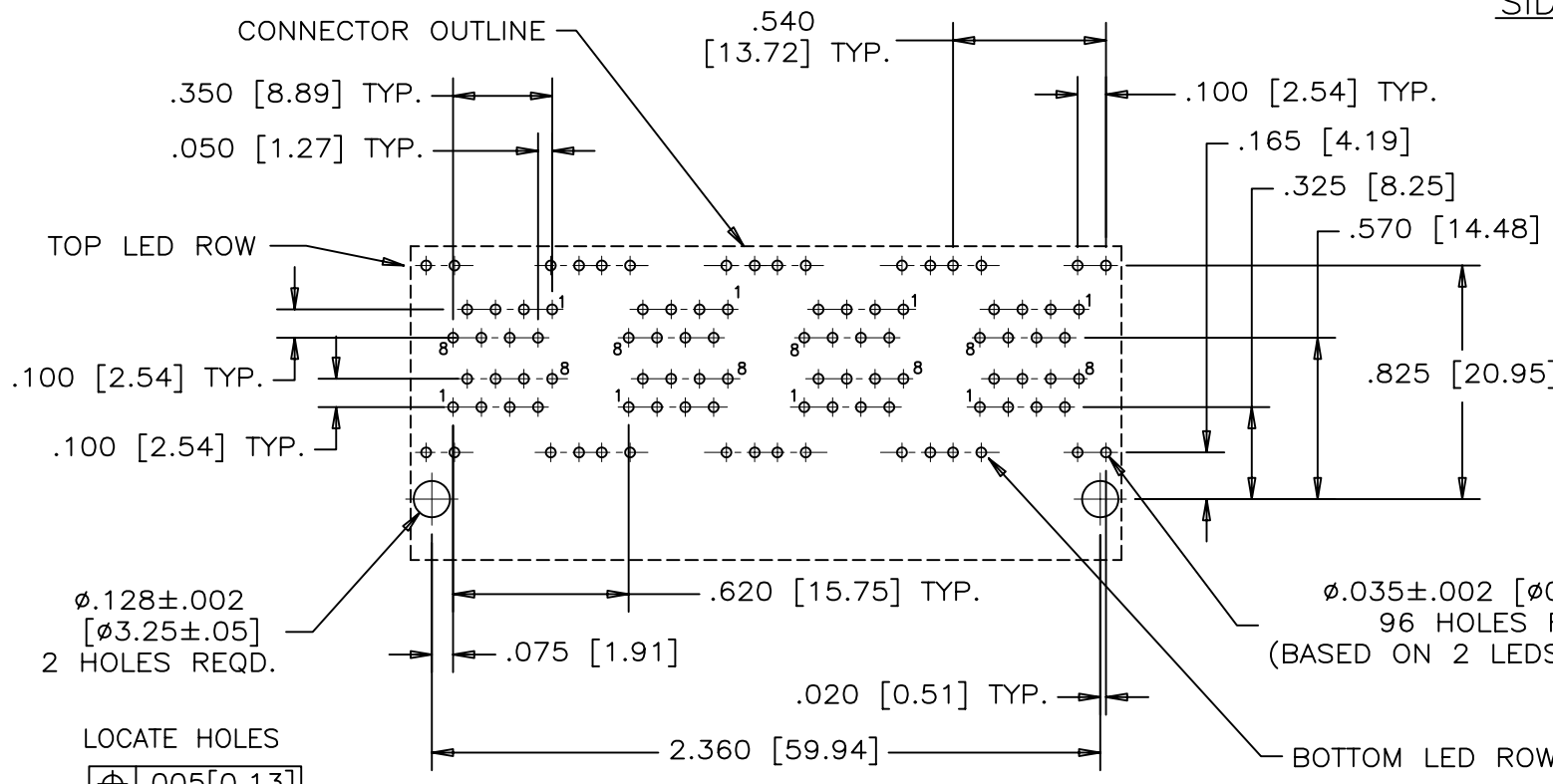
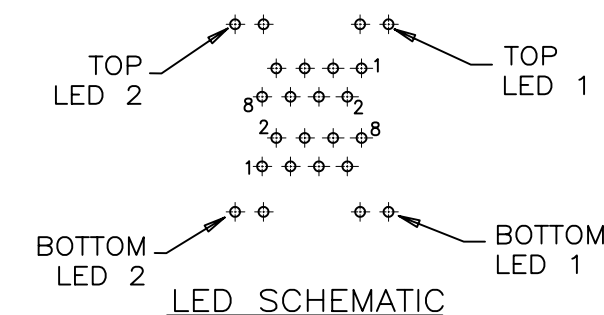
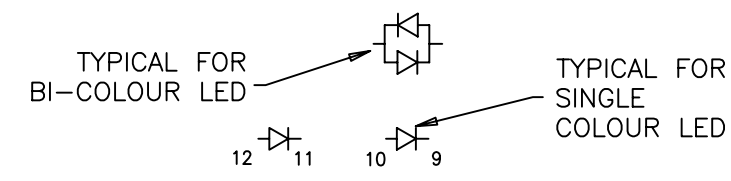
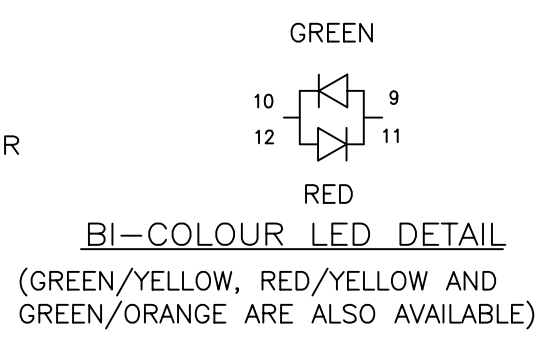
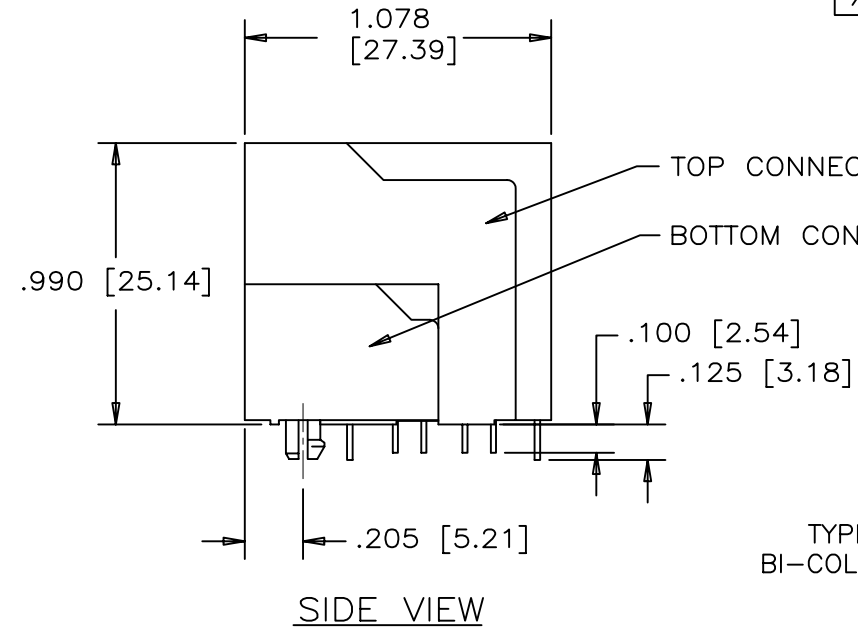
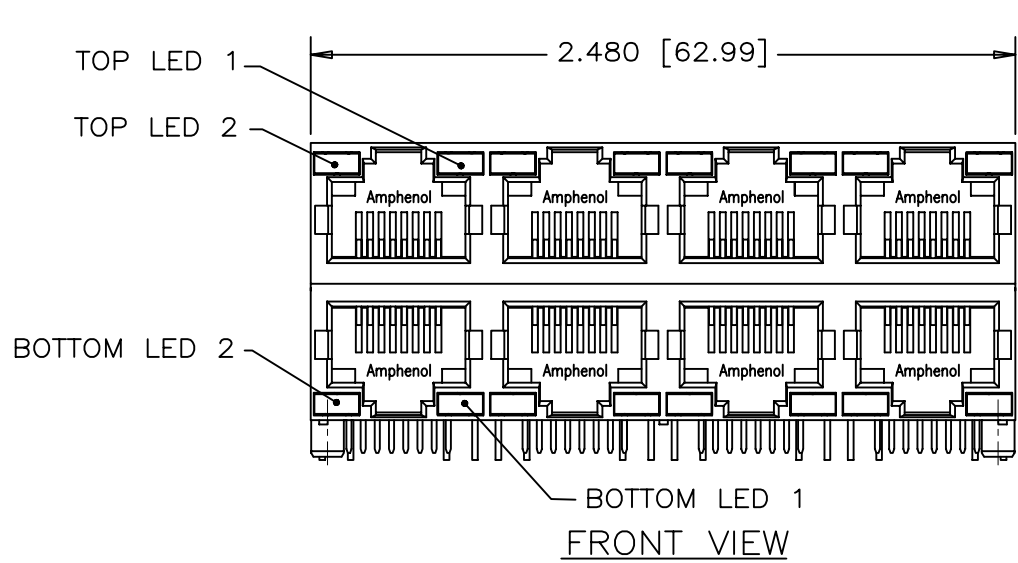
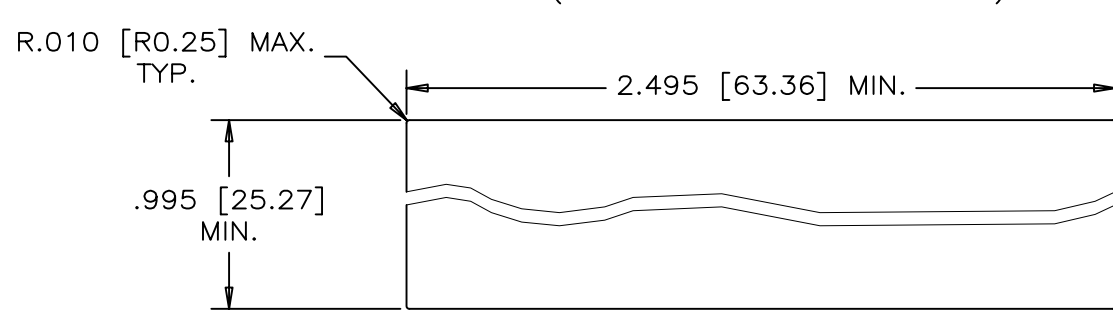


REVISIONS				
SYM	ZONE	ECN, ERN NO.	DATE	APPRD.
A		PROPOSAL	05/06/24	L.CHAN



**MATERIALS:**  
**HOUSING:** HIGH TEMPERATURE ENGINEERING THERMOPLASTIC. FLAMMABILITY RATING UL 94V-0  
**CONTACTS:** PHOSPHOR BRONZE  
**PLATING:** 50μ" [1.27 MICRONS] MIN. GOLD OVER MATING SURFACES. 50μ" [1.27 MICRONS] MIN. NICKEL UNDERPLATE. 100μ" MIN. MATTE TIN ON CONTACT AILS.

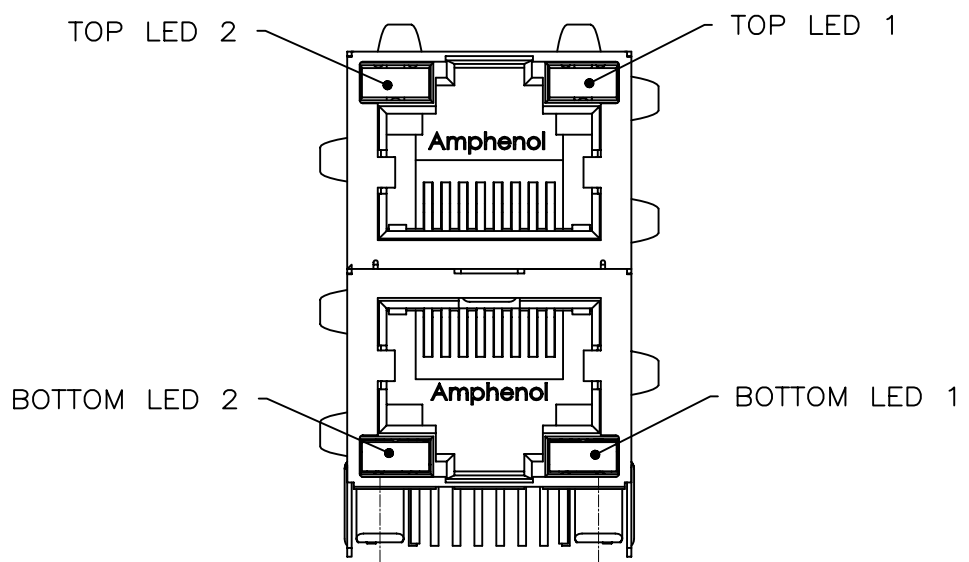


**PART NUMBER:** RJSAE-508X-08X  
 REFER TO LED OPTIONS DRAWING FOR ORDERING CODES

THIS DOCUMENT CONTAINS PROPRIETARY INFORMATION AND SUCH INFORMATION MAY NOT BE DISCLOSED TO OTHERS FOR ANY PURPOSE OR USED FOR MANUFACTURING PURPOSES WITHOUT WRITTEN PERMISSION FROM AMPHENOL CANADA CORP.

DRAWN PWANG	DATE 05/06/24	Amphenol Canada Corp.			
DESIGNED					
CHECKED L.CHAN	DATE 05/06/24	TITLE STACKABLE MULTI-PORT MODULAR JACK 8 POS. 8 CONTACTS, 2-PIECE CONSTRUCTION, NON-SHIELDED, WITH LED OPTIONS - RoHS COMPLIANT			
I. E. APPRD.					
Q. A. APPRD.		DWG DRAWING NO. P-RJSAE-508X-08X			
DWG. APPRD.					
ENG. REL. NO.		REV. A			
REF. EAR 12741					
DIMENSIONS ARE IN INCHES [mm]	CODE ID. NO. 03554	SCALE	WT. -----	SURF. -----	SHEET 1 OF 1

REVISIONS			
SYM	ZONE	ECN, ERN NO.	DATE
A		PROPOSAL	05/04/28

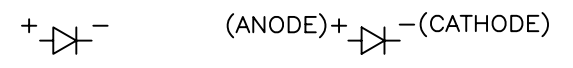


TYPICAL FOR TWO & MULTI-PORT

**LED SPECIFICATIONS:**  
 FORWARD VOLTAGE: 2.1 VOLTS TYP.  
 REVERSE VOLTAGE: 5.0 VOLTS MIN.  
 LUMINOUS INTENSITY: 0.5 mCd MIN.  
 (AT If=2mA)  
 STORAGE TEMPERATURE: -20° TO 85° C  
 LEAD SOLDERING TEMPERATURE: 260° C  
 (5 SEC, 1/16" FROM CASE)  
 PLATING ON TAILS: TIN PLATED

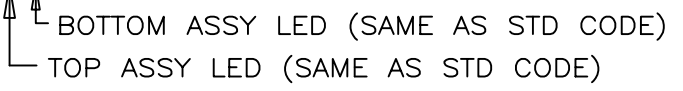
**EXAMPLE:**

PART NUMBER RJSAE-528X



**EXAMPLE:**

PART NUMBER RJSAE-538U-08-XX

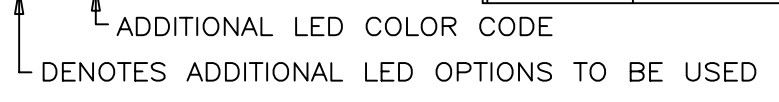


PRIMARY COLOR FOR BI-COLOR  
 LEDS IN STANDARD ANODE/  
 CATHODE CONFIGURATION IS:  
 RED-GREEN= RED  
 RED-YELLOW= RED  
 GREEN-YELLOW= GREEN  
 GREEN-ORANGE= GREEN

CODE	LED 2 (LEFT)	LED 1 (RIGHT)	CODE	LED 2 (LEFT)	LED 1 (RIGHT)	CODE	LED 2 (LEFT)	LED 1 (RIGHT)
0	BLOCKED	BLOCKED	9	GREEN	BLOCKED	J	BiC RD/GR	YELLOW
1	YELLOW	GREEN	A	BiC GR/YE	BiC GR/YE	K	YELLOW	BiC GR/OR
2	BLOCKED	GREEN	B	BiC RD/GR	BiC RD/GR	L	BiC GR/YE	RED
3	YELLOW	BLOCKED	C	BiC RD/GR	BiC GR/YE	M	RED	YELLOW
4	GREEN	YELLOW	D	GREEN	BiC GR/YE	N	BiC GR/RD	BiC GR/YE
5	GREEN	GREEN	E	YELLOW	BiC GR/YE	P	GREEN	BiC RD/GR
6	YELLOW	YELLOW	F	BiC GR/YE	YELLOW	R	BiC GR/OR	GREEN
7	RED	GREEN	G	BiC GR/OR	BiC GR/OR	T	RED	RED
8	GREEN	RED	H	BiC GR/YE	GREEN	V	BiC RD/GR	GREEN
						W	ADDITIONAL OPTIONS	
						U	SPECIAL CODE FOR TOP & BOTTOM LEDS CONFIGURATION	

**EXAMPLE OF ADDITIONAL LED OPTIONS:**

PART NUMBER RJSAE-528X-A2X



**LEGEND**

BiC=BI-COLOR LED  
 LOWC=LOW CURRENT LED  
 YE=YELLOW  
 GR=GREEN  
 RD=RED  
 OR=ORANGE

**NOTE:**

THE TWO DIGITS PRECEDING THE  
 ADDITIONAL LED CODE MUST BE  
 USED IN THE PART NUMBER, WHEN  
 ORDERING ANY OF THE ADDITIONAL  
 LED OPTIONS.

CODE	LED 2 (LEFT)	LED 1 (RIGHT)	CODE	LED 2 (LEFT)	LED 1 (RIGHT)	CODE	LED 2 (LEFT)	LED 1 (RIGHT)
0	DO NOT USE		5	BLOCKED	YELLOW	A	LOWC YE	LOWC YE
1	RED	BLOCKED	6	RED	BiC RD/GR	B	LOWC YE	LOWC GR
2	BiC GR/OR	YELLOW	7			C	LOWC GR	LOWC YE
3	YELLOW	RED	8	BiC RD/GR	BLOCKED	D	LOWC GR	LOWC GR
4	BLOCKED	RED	9	BiC GR/YE	BLOCKED	M	LOWC RD	LOWC YE
						N	GEEEN	BiC GR/OR

DRAWN PAUL WANG	DATE 05/04/28	Amphenol Canada Corp.	
DESIGNED			
CHECKED		TITLE	
I. E. APPRD.		LED OPTIONS FOR RJSAE, MULTI-PORT CONNECTORS	
Q. A. APPRD.		DWG	DRAWING NO.
DWG. APPRD.		P-RJSAE-LEDS	
ENG. REL. NO.		REF.	REV. A
DIMENSIONS ARE IN INCHES [mm]	CODE ID. NO. 03554	SCALE	WT. ----- SURF. ----- SHEET 1 OF 1

THIS DOCUMENT CONTAINS PROPRIETARY INFORMATION AND SUCH INFORMATION  
 MAY NOT BE DISCLOSED TO OTHERS FOR ANY PURPOSE OR USED FOR MANUFACTURING  
 PURPOSES WITHOUT WRITTEN PERMISSION FROM AMPHENOL CANADA CORP.