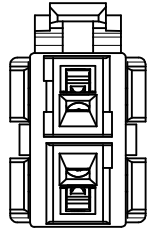
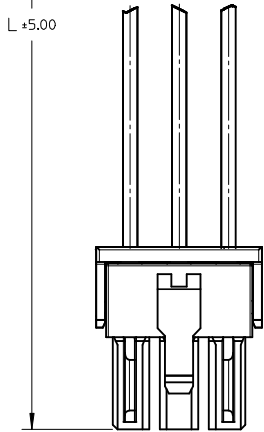
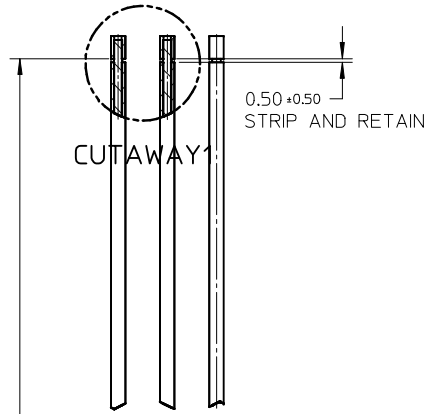
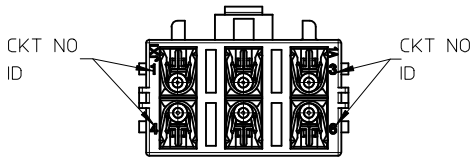
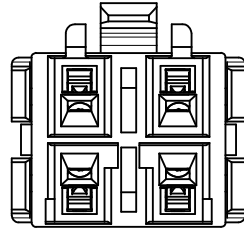


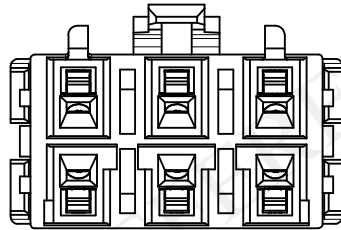
MOLEX P/N	FCT P/N	MATERIAL DESCRIPTION	HOUSING	RETAINER	TERMINAL	WIRE 1 BLACK (B)	WIRE 2 WHITE (W)	LENGTH L (mm)	CKT NO.						WIRE CUT LENGTH
									1	2	3	4	5	6	
1511832200	KAB2370L0.7V03	FCT CP6.50 SG/END HARNESS 2 CKT ORANGE	1510492200	511430105	50598 -8000	150206 -0002	150206 -0001	700	B	W	-	-	-	-	688±2
1511832201	KAB2370L0.7V02	FCT CP6.50 SG/END HARNESS 2 CKT BLUE	1510492201						B	W	-	-	-	-	
1511832203	KAB2370L0.7V01	FCT CP6.50 SG/END HARNESS 2 CKT YELLOW	1510492203						B	W	-	-	-	-	
1511832401	KAB2371L0.7V01	FCT CP6.50 SG/END HARNESS 4 CKT BLUE	1510492401	511430205	50598 -8000	150206 -0002	150206 -0001	700	B	W	W	W	-	-	
1511832406	KAB2371L0.7V02	FCT CP6.50 SG/END HARNESS 4 CKT BLACK	1510492406						B	W	W	W	-	-	
1511832601	KAB2372L0.7V02	FCT CP6.50 SG/END HARNESS 6 CKT BLUE	1510492601	511430305	50598 -8000	150206 -0002	150206 -0001	700	B	W	W	W	W	W	
1511832609	KAB2372L0.7V01	FCT CP6.50 SG/END HARNESS 6 CKT RED	1510492609						B	W	W	W	W	W	



2 CKTS 1511832200 ORANGE  
2 CKTS 1511832201 BLUE  
2 CKST 1511832203 YELLOW

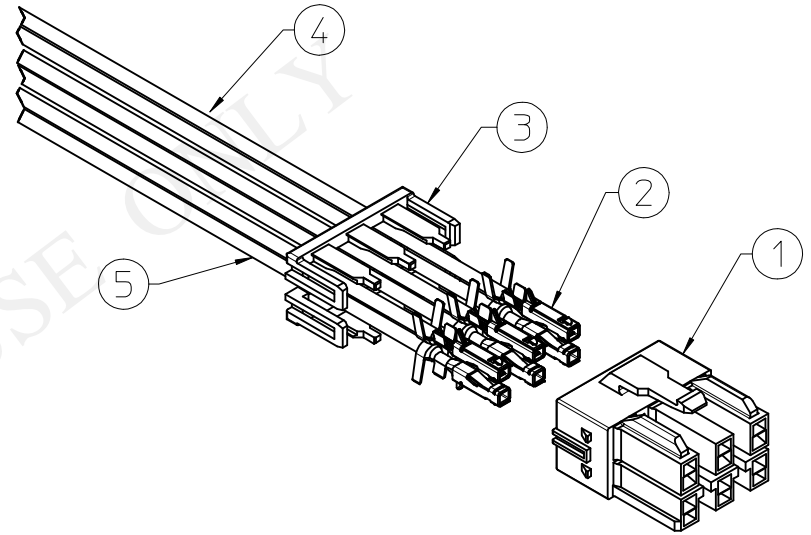


4 CKTS 1511832401 BLUE  
4 CKST 1511832406 BLACK



6 CKTS 1511832601 BLUE  
6 CKTS 1511832609 RED

NOTE:  
FOR CRIMP SPECIFICATION AND STRIP LENGTH DETAILS,  
REFER TO DOCUMENT CS-50598/50600



THIS VIEW IS ONLY FOR ILLUSTRATION

5	1502060001	CABLE WHITE	5
4	1502060002	CABLE BLACK	1
3	511430305	RETAINER	2
2	505988000	CRIMP TERMINAL	6
1	151049260*	RECEPTACLE HOUSING 6 CKTS	1
ITEM NO	PART NO	DESCRIPTION	QTY

INITIAL RELEASE EC NO: S2016-0631 DRW: EANG CHKD: APPR: EANG	2	REV	DESCRIPTION	QUALITY SYMBOLS F <sub>A</sub> =0 F <sub>G</sub> =0 F <sub>P</sub> =0	GENERAL TOLERANCES (UNLESS SPECIFIED)		DIMENSION STYLE		SCALE	DESIGN UNITS	THIRD ANGLE PROJECTION
					mm	INCH	MM ONLY	NTS	METRIC		
					4 PLACES	± ---	± ---	DRAWN BY	DATE	TITLE	
					3 PLACES	± ---	± ---	EANG	2015/09/04	CP 6.50 SINGLE ENDED HARNESS ASSY, 2 TO 6 CKT WITH WIRE AWG 20	
					2 PLACES	± ---	± ---	CHECKED BY	DATE	molex	
					1 PLACE	± ---	± ---	APPROVED BY	DATE	SD-151183-0001	
					0 PLACE	± ---	± ---	EANG	2015/09/28	1 OF 1	
					ANGULAR ± --- °		MATERIAL NO.		DOCUMENT NO.		SHEET NO.
					DRAFT WHERE APPLICABLE MUST REMAIN WITHIN DIMENSIONS		SEE TABLE		SD-151183-0001		1 OF 1
					THIS DRAWING CONTAINS INFORMATION THAT IS PROPRIETARY TO MOLEX INCORPORATED AND SHOULD NOT BE USED WITHOUT WRITTEN PERMISSION						