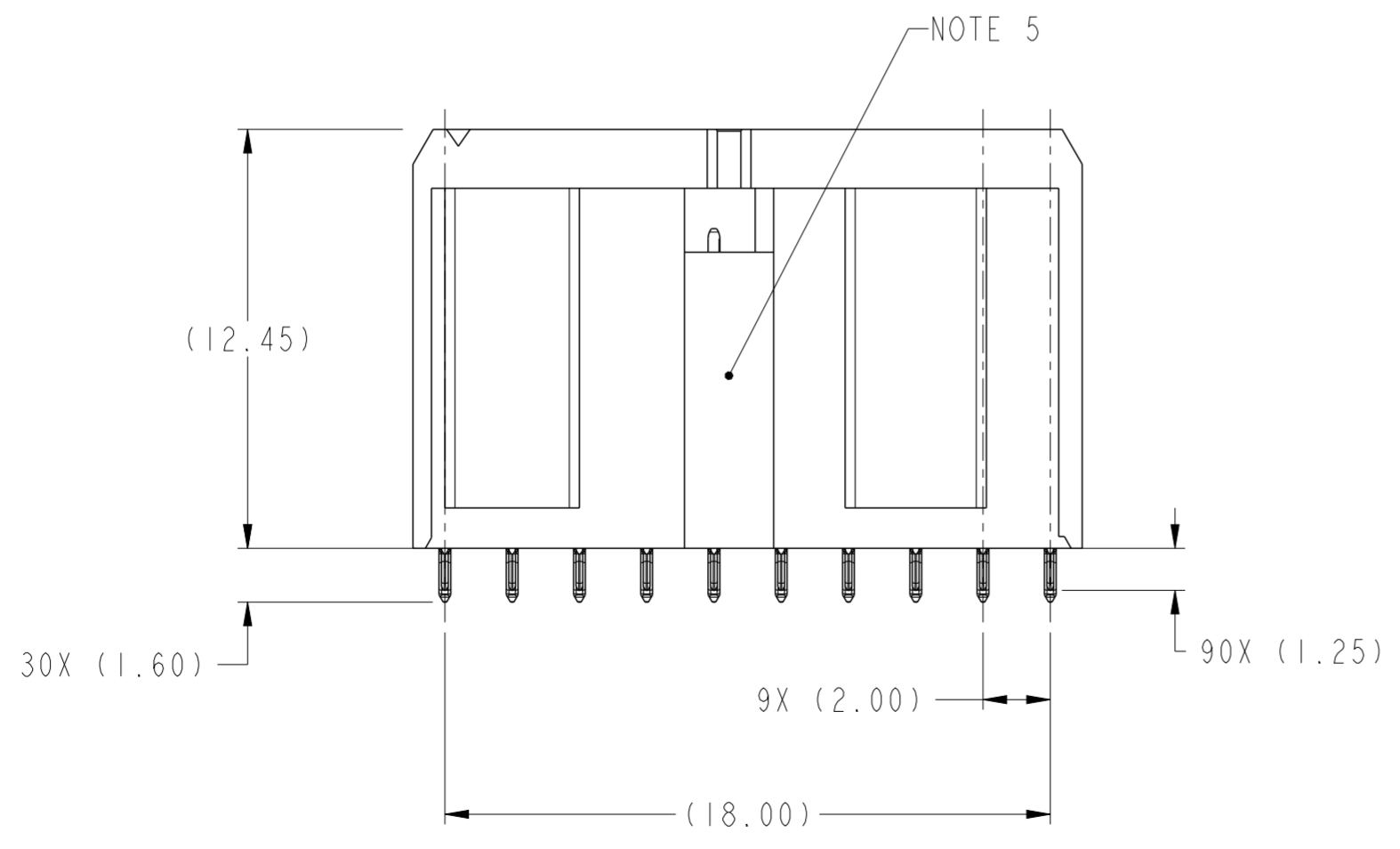
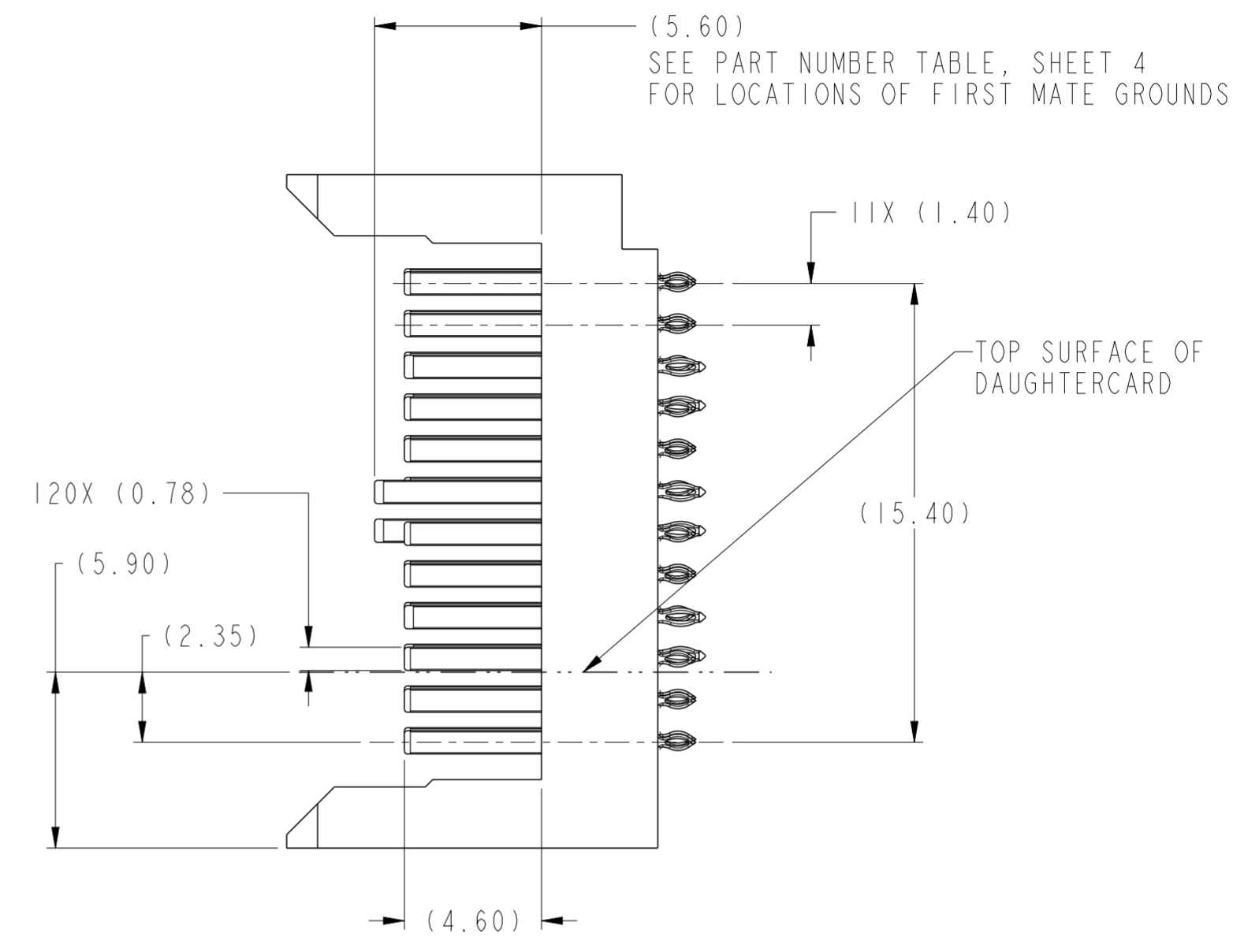
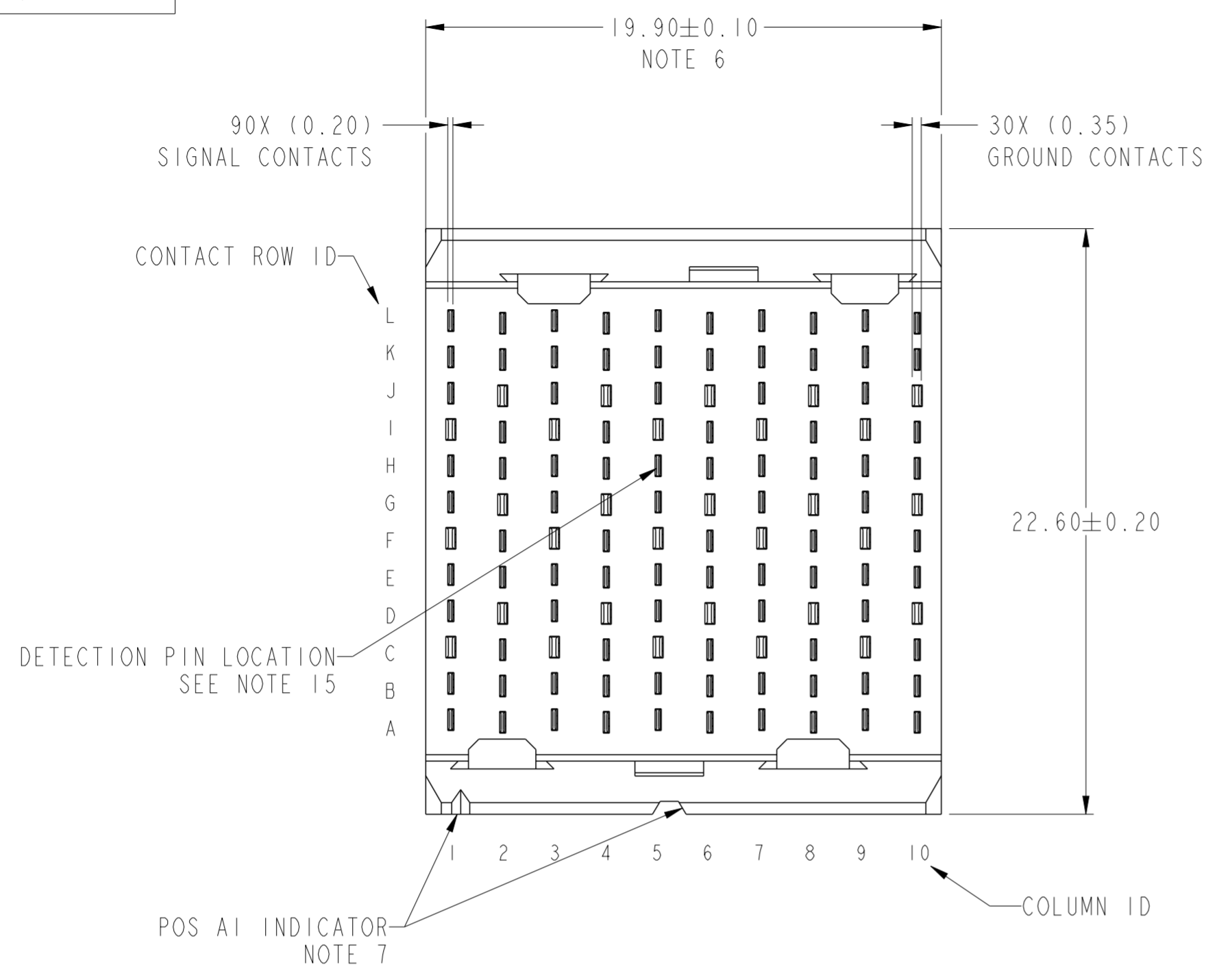


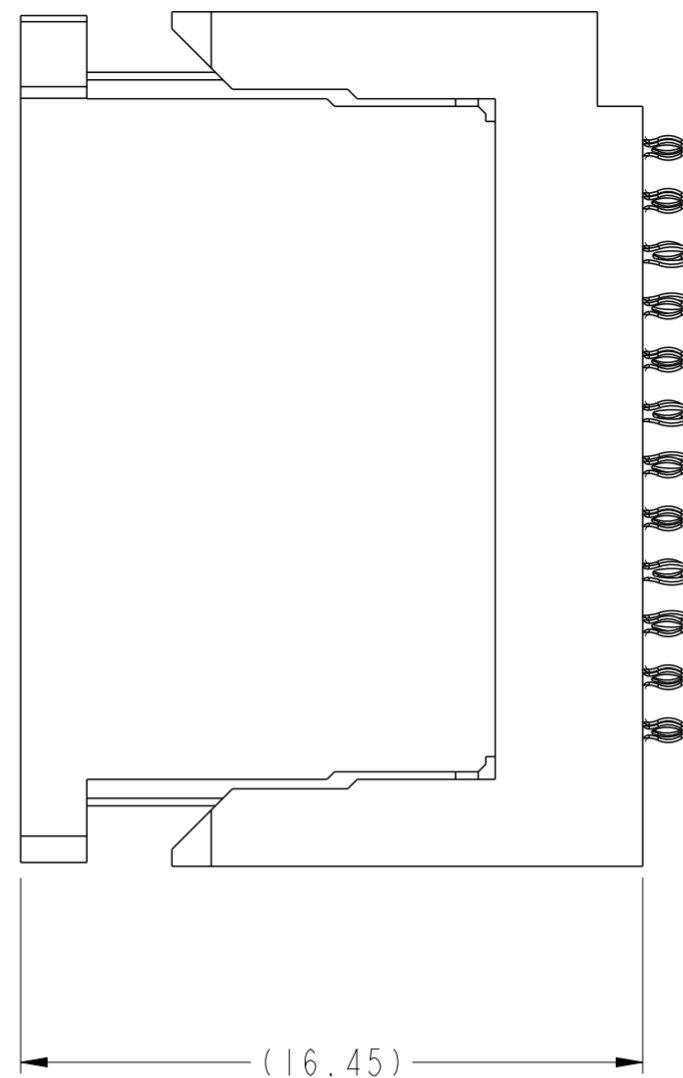
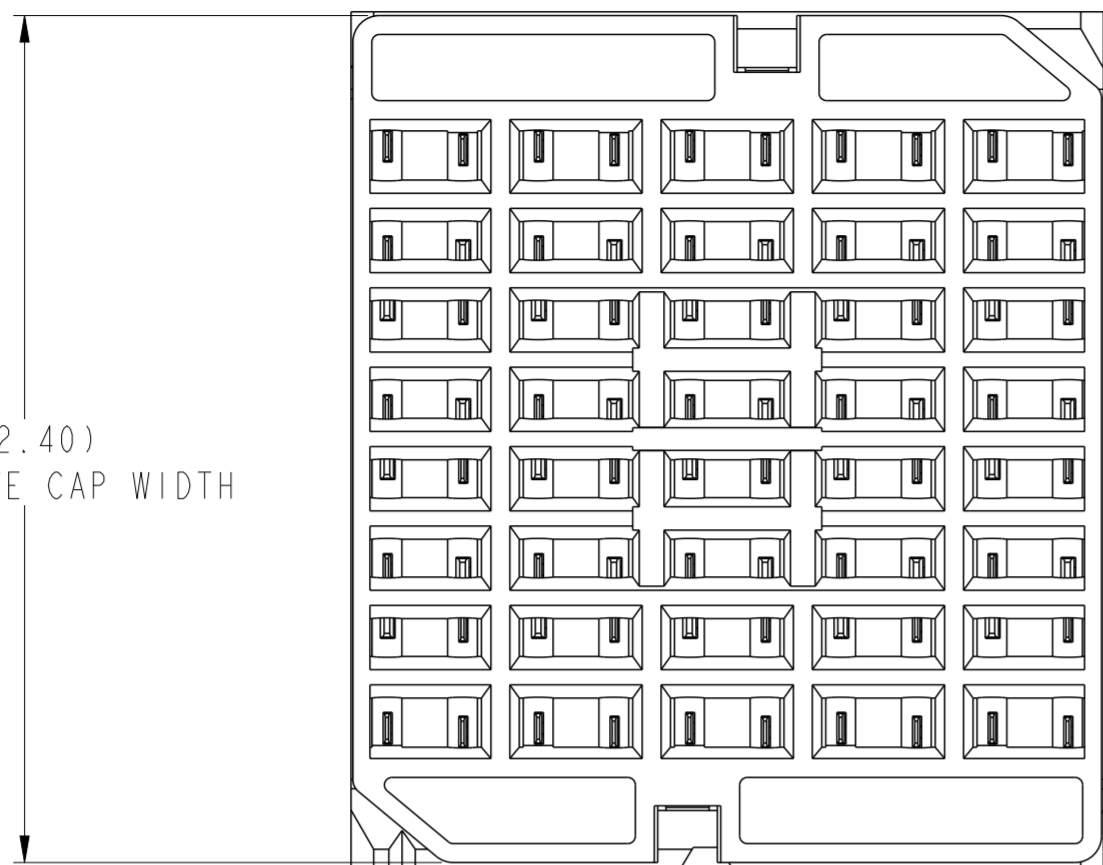
Product number  
SEE TABLE, SHT 4



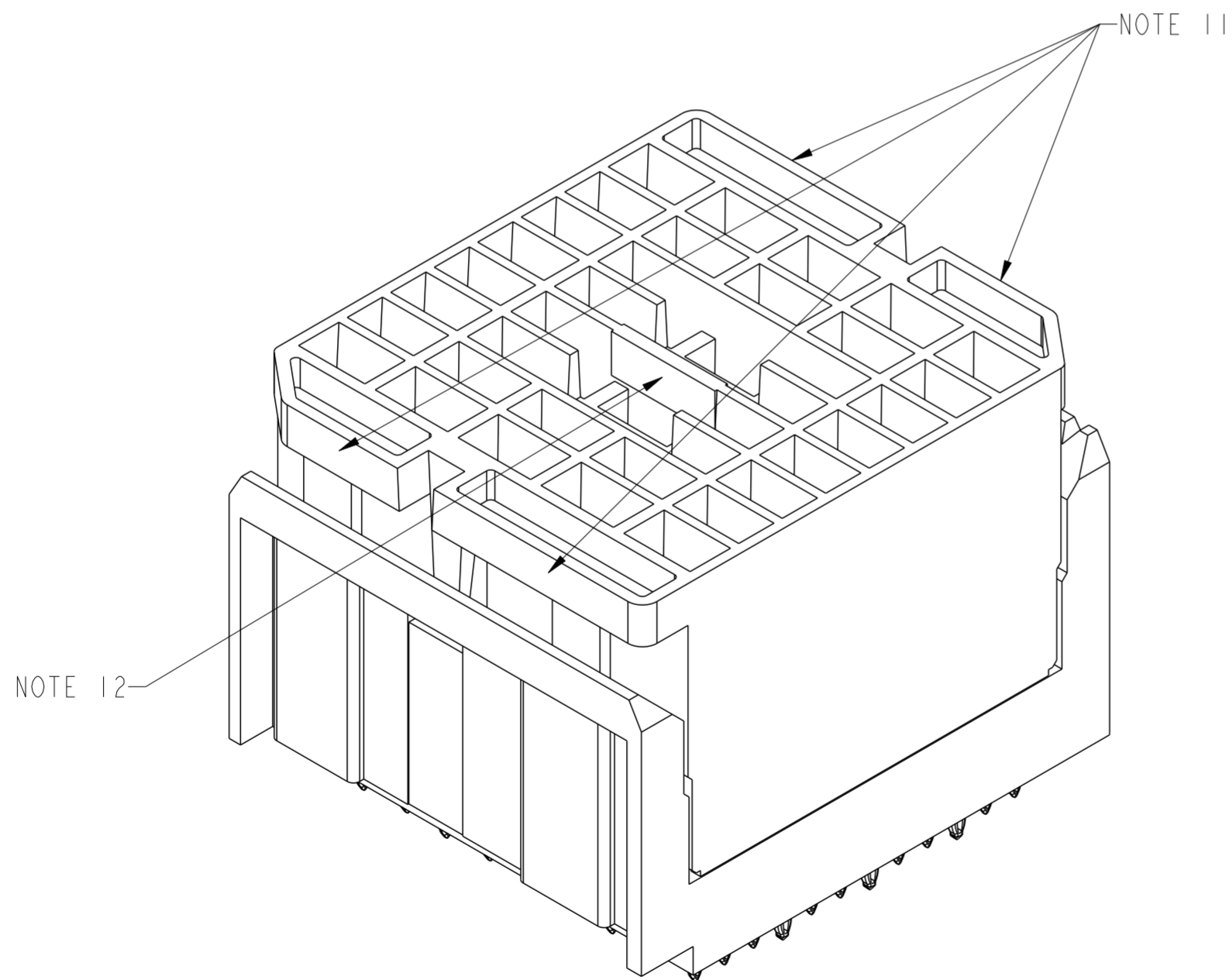
spec ref	-	dr	Sander Soe	2012/1/15	projection	MM	size	A2	scale	5:1
tolerance std	ASME Y14.5	eng	Kou Xu	2014/08/11	chr	-	ecn no	ELX-DG-18510-1	rel level	Released
TOLERANCES UNLESS OTHERWISE SPECIFIED		appr	Collins Lu	2014/10/23	product family	AIRMAX VS	cat. no.	10123359	rev	B
surface	✓	linear	0.X	±0.3	0.XX	±0.10	0.XXX	±0.050	www.fci.com	
ASME Y14.5	angular	0°	±2°	title		AIRMAX VSE VERTICAL HEADER		4 PAIR 120 POS 2MM 10 COL SMALL PRESS FIT		
Product - Customer Drw		sheet 1 of 4		PDS: Rev :B		STATUS:Released		Printed: Oct 24, 2014		

Copyright FCI. FCI

(22.40)  
PROTECTIVE CAP WIDTH



VIEWES SHOWN WITH  
 PROTECTIVE COVER INSTALLED  
 10123359-101LF & 111LF



NOTE 12

NOTE 11



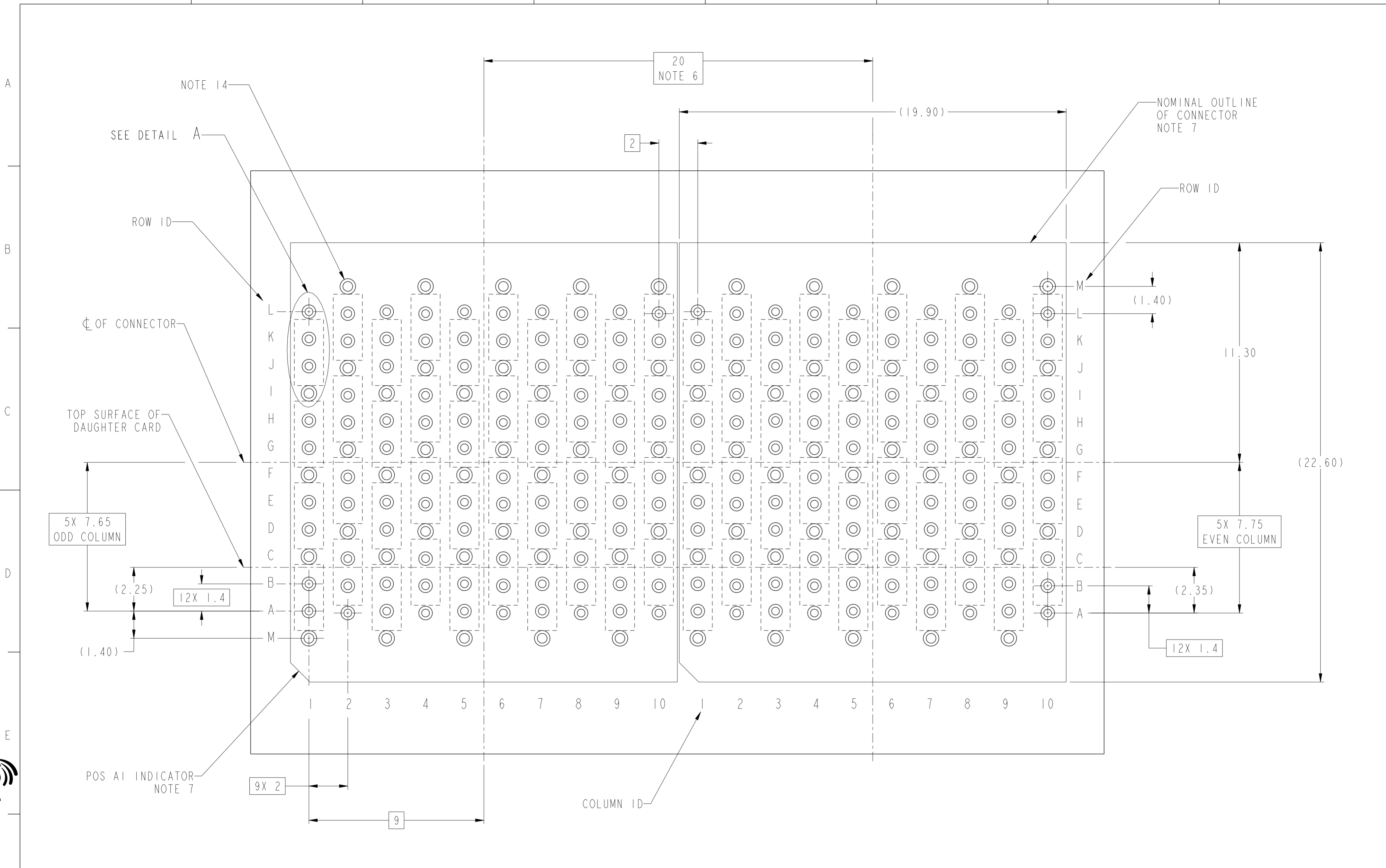
Copyright FCI.

spec ref	-	dr	Sander Soe	2012/1/15	projection	MM	size	A2	scale	5:1
tolerance std	ASME Y14.5	eng	Kou Xu	2014/08/11			ecn no	ELX-DG-18510-1		
		chr	-	rel level			Released			
surface	✓	appr	Collins Lu	2014/10/23	product family	AIRMAX VS	title	AIRMAX VSE VERTICAL HEADER		
ASME Y14.5	linear	0.X	±0.3		cat. no.	-	rev	10123359		
		0.XX	±0.10		Product - Customer Drw	sheet 2 of 4				
	angular	0°	±2°		www.fci.com					

PDS: Rev :B

STATUS:Released

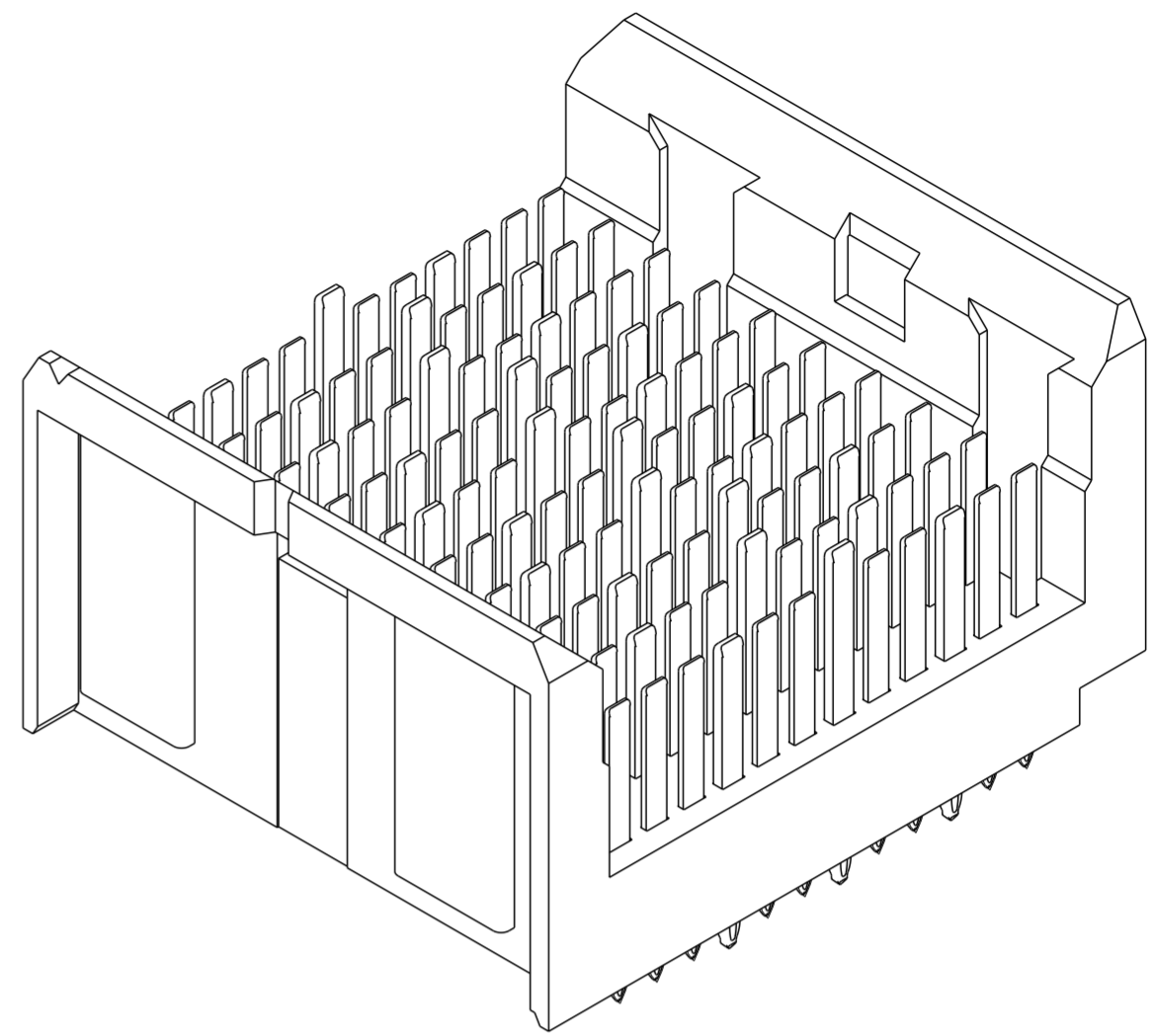
Printed: Oct 24, 2014



RECOMMENDED PCB LAYOUT  
FOR DIFFERENTIAL APPLICATIONS,  
COMPONENT SIDE  
(TWO ADJACENT FOOTPRINTS SHOWN)  
NOTES 6, AND 8

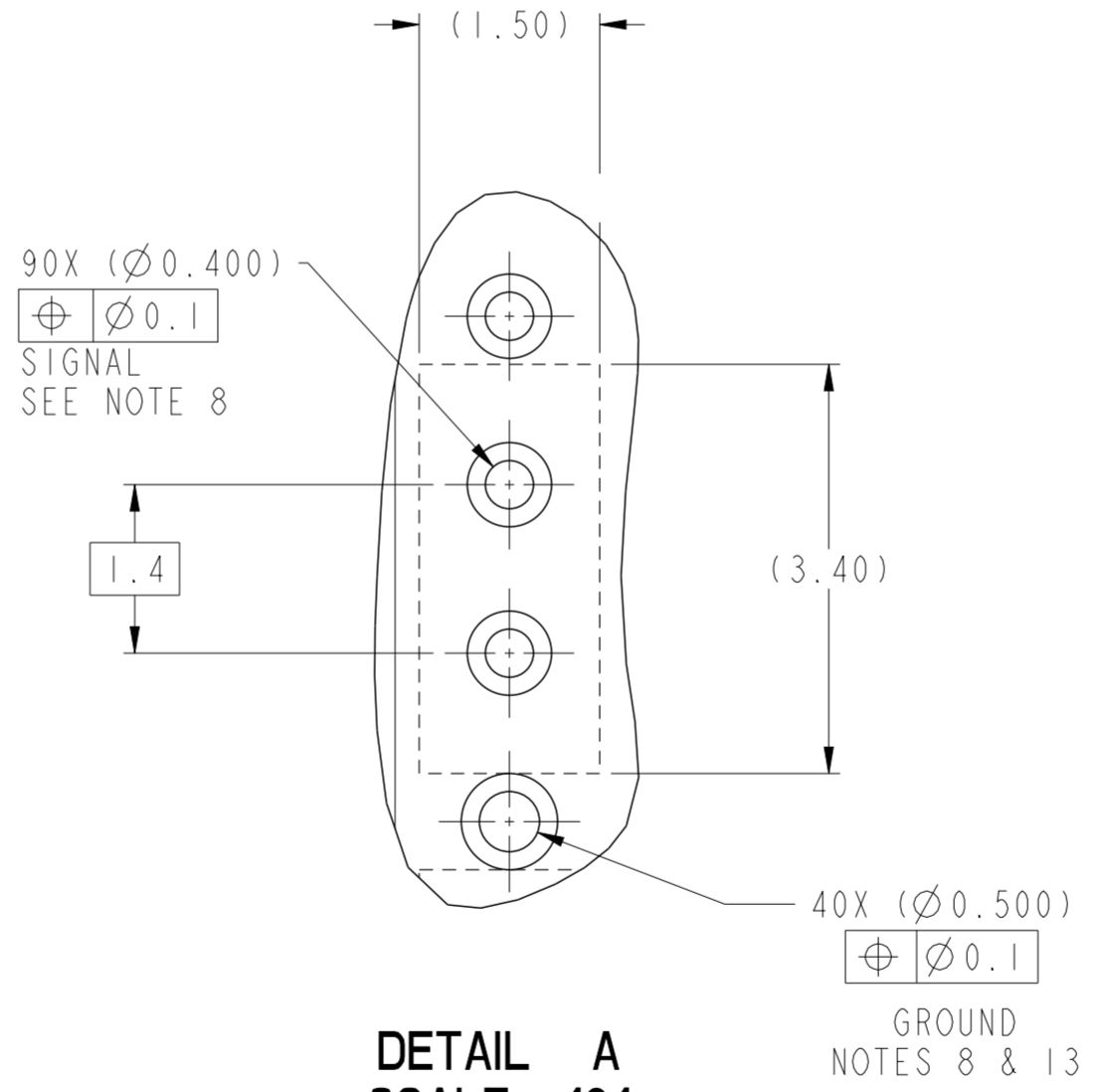
spec ref	-	dr	Sander Soe	2012/1/15	projection	MM	size	A2	scale	3:1		
tolerance std	ASME Y14.5	eng	Kou Xu	2014/08/11			ecn no	ELX-DG-18510-1				
TOLERANCES UNLESS OTHERWISE SPECIFIED		chr	-	rel level			Released					
surface	✓	appr	Collins Lu	2014/10/23			product family	AIRMAX VS				
ASME Y14.5	linear	0.X	±0.3	0.XX	±0.10	0.XXX	±0.050			title AIRMAX VSE VERTICAL HEADER 4 PAIR 120 POS 2MM 10 COL SMALL PRESS FIT	part no 10123359	rev B
	angular	0°	±2°	www.fci.com		cat. no.	-	Product - Customer Drw	sheet 3 of 4			

PART NUMBER	PRESS-FIT TAIL PLATING TYPE	PROTECTIVE COVER	DETECTION PIN	LONG GROUND PIN LOCATIONS (5.6MM)	REMARKS
10123359-101LF	$\triangle B$ TIN OVER NICKEL (LEAD FREE)	YES	NO	F1, F3, F5, F7, F9, G2, G4, G6, G8, G10	2-SIDED PLATING
10123359-111LF		YES	YES		



- NOTES:
- CONNECTOR MATERIALS:  
HOUSING: HIGH TEMP THERMOPLASTIC, BLACK, UL94V-0  
CONTACT: COPPER ALLOY
  - CONTACT PLATING:  
SEPARABLE INTERFACE: PERFORMANCE-BASED PLATING, QUALIFIED TO MEET THE REQUIREMENTS OF FCI PRODUCT SPECIFICATION GS-12-XXX INCLUDING TELCORDIA GR-1217-CORE (NOVEMBER 1995) CENTRAL OFFICE TEST SEQUENCE  
PRESS-FIT TAILS: SEE TABLE
  - PRODUCT SPECIFICATION: GS-12-239.
  - APPLICATION SPECIFICATION: GS-20-035.
  - PRODUCT MARKING, (PROTOTYPE, PART NUMBER & LOT CODE), ON THIS SURFACE.
  - THE MINIMUM CENTERLINE SPACING BETWEEN ADJACENT MODULES IS 20.0 mm.
  - CONNECTOR OUTLINE WITH HOUSING POS A1 INDICATOR MAY BE SCREEN PRINTED ONTO CUSTOMER PCB TO BE USED AS A GUIDE FOR MANUAL CONNECTOR PLACEMENT.
  - REFER TO CUSTOMER DRAWING 10104444 FOR INFORMATION ON PCB HOLE DIAMETERS AND PLATING OPTIONS.
  - THIS PRODUCT MEETS EUROPEAN UNION DIRECTIVES AND OTHER COUNTRY REGULATIONS AS DESCRIBED IN GS-22-008.
  - PACKAGING MEETS GS-14-920 LEAD FREE LABELING SPECIFICATION.
  - FOR REMOVAL OF THE PROTECTIVE CAP BY HAND GRIP USING THESE SURFACES.
  - FOR REMOVAL OF THE PROTECTIVE CAP WITH PLIERS GRIP USING THIS FEATURE.
  - GROUND VIAS IN POSITIONS C, F, I, & M FOR ODD COLUMNS AND POSITIONS D, G, J, & N FOR EVEN COLUMNS REQUIRE (Ø0.50) FINISHED HOLES. ALL OTHER VIAS REQUIRE (Ø0.40) FINISHED HOLES.
  - THE OUTER VIAS IN COLUMN M ARE OPTIONAL. IF ADDED THESE HOLES PROVIDE GROUND SYMMETRY THROUGH THE PCB. NO CONNECTOR PINS WILL BE PRESSED INTO THESE HOLES.
  - MATING PIN H5 IS 0.5mm LESS WIDE NOMINAL THAN THE SHORTEST PIN.
  - A  $\triangle B$  SYMBOL WILL BE NEXT TO ANY DIMENSION OR VIEW, NOTE THAT HAS BEEN MODIFIED WITH THE CURRENT DRAWING REVISION.  $\triangle B$

$\triangle B$   
10123359-101LF & 111LF WITHOUT PROTECTIVE COVER



Copyright FCI. FCI

spec ref	-	dr	Sander Soe	2012/1/15	projection	MM	size	A2	scale	5:1
tolerance std	ASME Y14.5	eng	Kou Xu	2014/08/11	chr	-	ecn no	ELX-DG-18510-1	rel level	Released
surface	✓	appr	Collins Lu	2014/10/23	product family	AIRMAX VS	cat. no.	10123359	rev	B
ASME Y14.5	linear	0.X	±0.3	0.XX	±0.10	0.XXX	±0.050	angular	0°	±2°
		www.fci.com		title		AIRMAX VSE VERTICAL HEADER		Product - Customer Drw		sheet 4 of 4