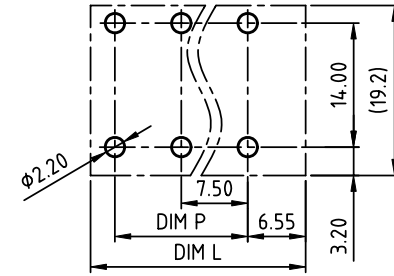
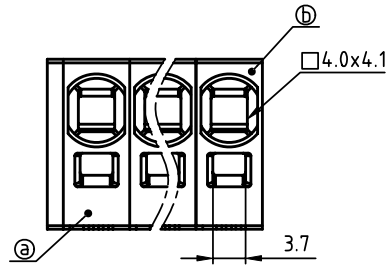
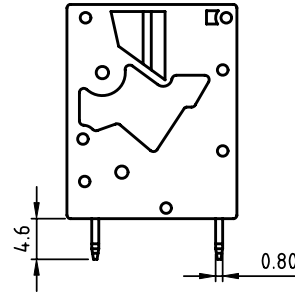
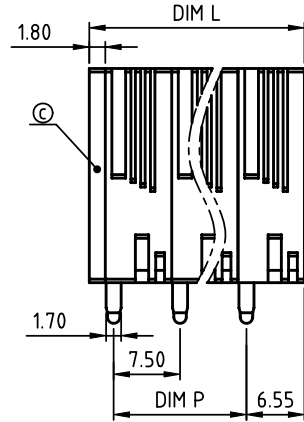
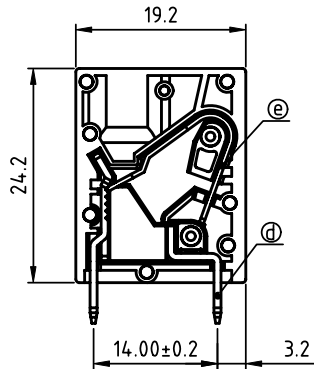


PRODUCT NUMBER	PITCH
NKxxA0x000JOG	7.50mm



RECOMMENDED P.C.B LAYOUT
TOP VIEW



Material:

- Item (a) Terminal body: Thermoplastic (UL94V-0)
- Item (b) Terminal side body: Thermoplastic (UL94V-0)
- Item (c) Terminal cover: Thermoplastic (UL94V-0)
- Item (d) Solder pin: Copper, Tin Plated
- Item (e) Spring clamp: Stainless steel

Electrical:	cULus	Use group(B)	Use group(C)	Use group(D)
● Voltage rating:		300 V	150 V	600 V
● Current rating(Sol):		30 A	30 A	5 A
● Current rating(Str):		35 A	35 A	5 A
● Solid wire(AWG):		10-24		
● Stranded wire(AWG):		8-24		
● Wire strip length:		15-16 mm		
● Withstanding Voltage:		1.6KV		
● Operating temperature:		-40°C to +115°C		
● Soldering temperature:		260°C±5°C/5 Sec		
● Safety Approval:		cULus		

N=Number of poles
Dim L=N×7.5+1.8
Dim P=(N-1)×7.5

POLES	Dim L	Dim P
1p	±0.10	
2-6p	±0.15	±0.15
7-12p	±0.25	±0.25
13-16p	±0.35	±0.35

PART NO.: NK xx A0 x 000JOG

No. of poles	Color	RoHS compliant
0	Black (RAL9005)	(lead<4%)
End Stackable	2 Red (RAL3001/D)	In copper Alloy
01 1 poles	3 Orange(RAL2011/P)	
02 2 poles	4 Yellow(RAL1018/A)	
...	5 Green(RAL6018/T)	
16 16 poles	6 Blue (RAL5015/A)	
	8 Grey(RAL7004/P)	
	9 White(RAL1102)	
	C Multiple colors	

mat'l. code		surface ASME Y14.5	tolerance ASME Y14.5	projection	product family TERMINAL BLOCK
ltr	ecn no	dr	date	 MM	title TERMINAL BLOCK
tolerances unless otherwise specified					
angles		X.±0.5		scale	SPRING CLAMP,90D WIRE INLET,PARALLEL TAIL A TYPE
X°±1'		X.XX±0.1			
dr	ENGR	chr	appd		dwg no NKxxA0x000JOG
EVIN ZHONG	060514	HANKE FENG	SHI JUN		sheet 1 of 1 size A4
					type CUSTOMER Drawing
sheet index	revision sheet	A	1		