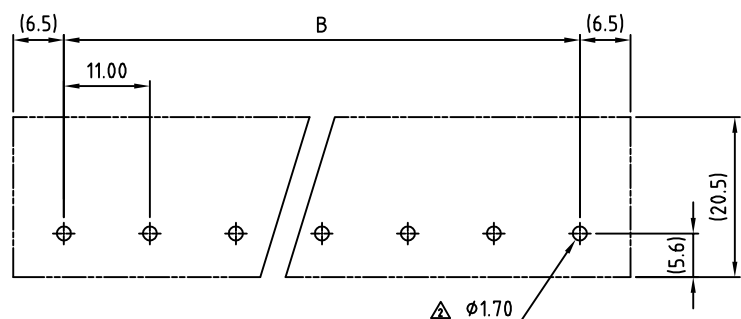
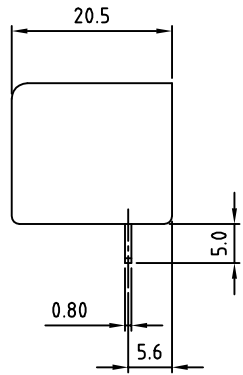
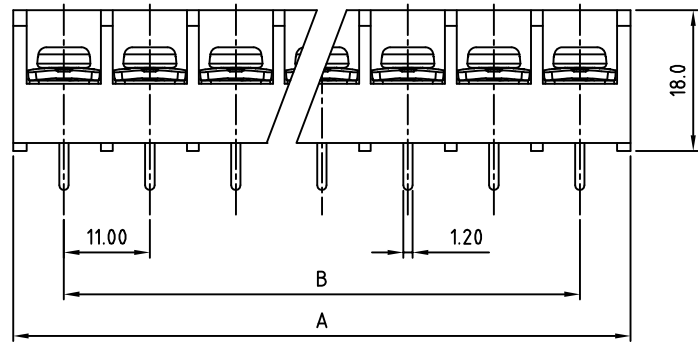
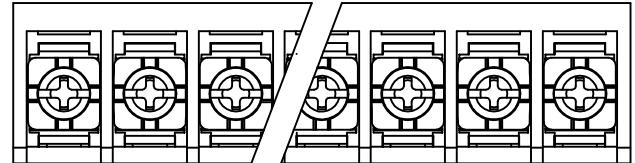


SIGN	DATE	DESCRIPTION	APPROVER
THIS IS CAD DRAWING, DO NOT REVISE MANUALLY!!!			



PCB Layout

**SPECIFICATIONS**

**ELECTRICAL**  
**VOLTAGE & CURRENT:** 300 V, 30 A  
**WITHSTANDING VOLTAGE:** AC 2000 V/Min  
**INSULATION RESISTANCE:** 1000 MΩ OR MORE AT DC 500 V  
**TEMPERATURE RANGE:** -40 °C ~ +105 °C  
**SCREW TORQUE VALUE:** 9.5 Lb-In.  
**WIRE RANGE:** 22 - 10 (str/sol) AWG  
**1) MOLDED PARTS:** POLYIMIDE 66, UL 94 V-0 BLACK  
**2) TERMINAL:** BRASS, 0.8t, Tin PLATED  
**3) TERMINAL SCREWS:** STEEL, Ni PLATED, M4

● Safety Approval: us

RoHS Compliant

PART NUMBER:

**OSTYK551XX030**

No. of Poles  
 02: 2 Poles  
 03: 3 Poles  
 04: 4 Poles  
 ⋮  
 20: 20 Poles

POLE	2	3	4	5	6	7	8	9	10	11	12	13	14	15	16	
A	24.00	35.00	46.00	57.00	68.00	79.00	90.00	101.0	112.0	123.0	134.0	145.0	156.0	167.0	178.0	
B	11.00	22.00	33.00	44.00	55.00	66.00	77.00	88.00	99.00	110.0	121.0	132.0	143.0	154.0	165.0	
TOL	±0.30			±0.40				±0.50								
POLE	17	18	19	20												
A	189.0	200.0	211.0	222.0												
B	176.0	187.0	198.0	209.0												
TOL	±0.60															

THESE DRAWINGS AND SPECIFICATIONS ARE THE PROPERTY OF ON-SHORE TECHNOLOGY, INC. AND SHALL NOT BE REPRODUCED, COPIED OR USED IN ANY MANNER WITHOUT THE PRIOR WRITTEN CONSENT OF ON-SHORE TECHNOLOGY, INC.

TITLE		OSTYK-551 w/o Flange Series			
PART NO.	OSTYK551XX030	DWG NO.	OSTYK551XX030.DWG		
APPROVED	CHECKED	DESIGNED	DRAWN	CUST NO.	
Shi Jun 2006.11.07	Seamus 2006.11.06	Steady 2006.10.21	Steady 2006.10.21		
					Tolerance X. ±0.50 X.X ±0.30 X.XX ±0.10 X° ±1°
					UNIT: mm SCALE: NONE SHEET: 01/01 REV.: D