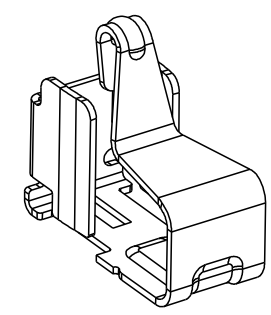
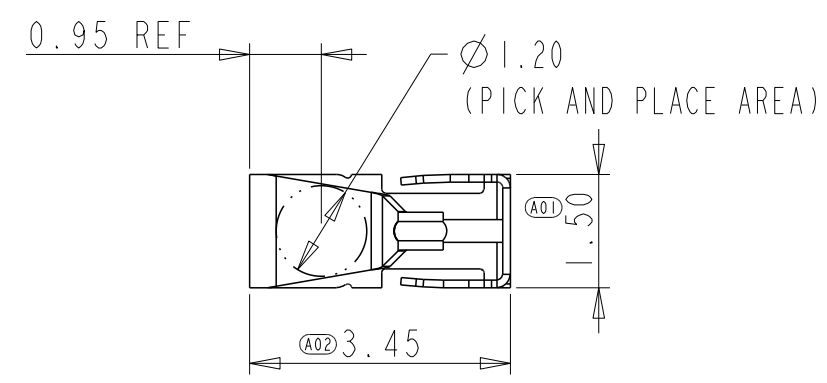
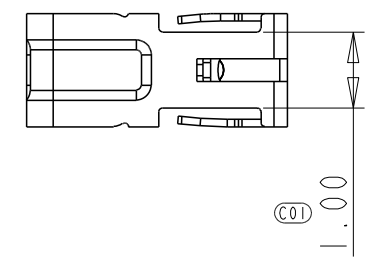
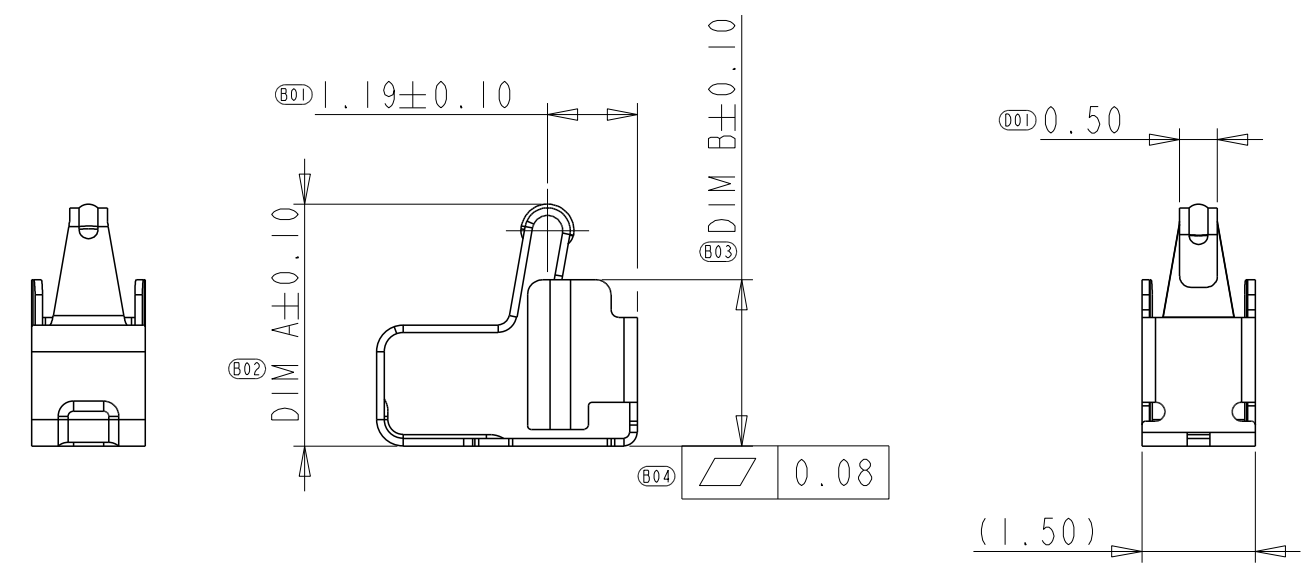


LOC	DIST	REVISIONS			
P	LTR	DESCRIPTION	DATE	DWN	APVD
ES	00				
	A	RELEASED	23JUL2014	J. J	W. H
	A1	ECR-15-004731	20APR2015	T. Q	W. H

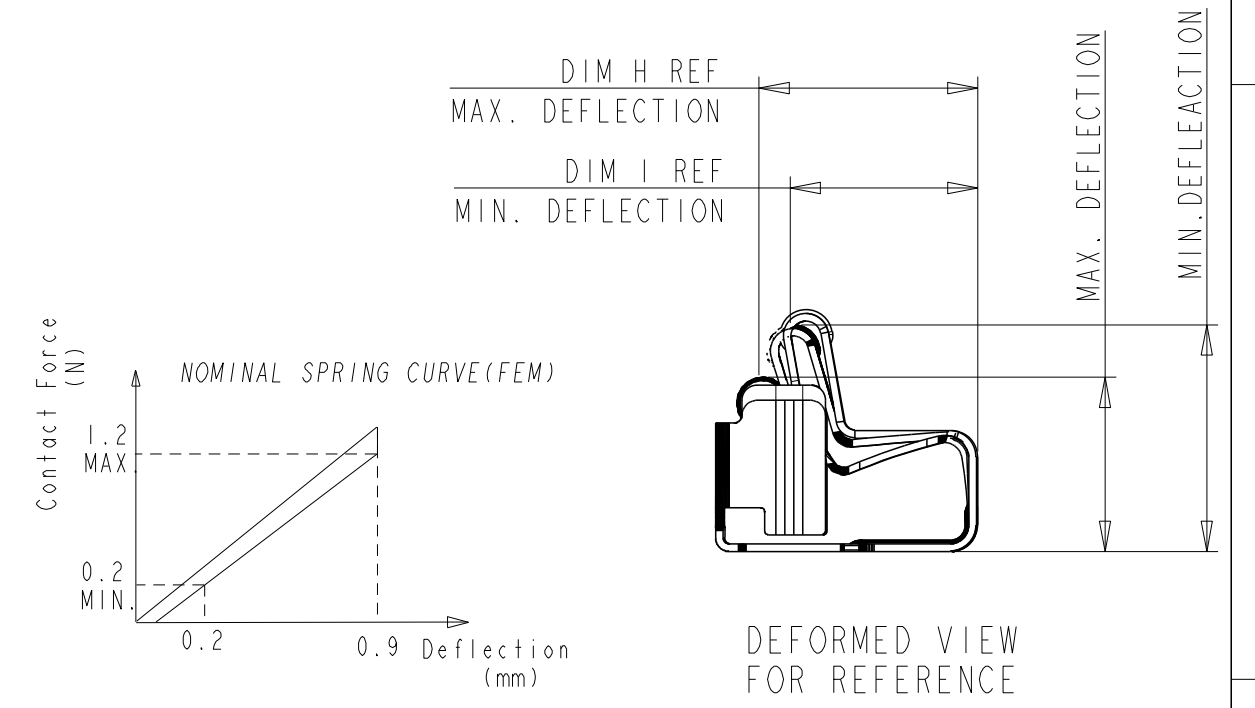
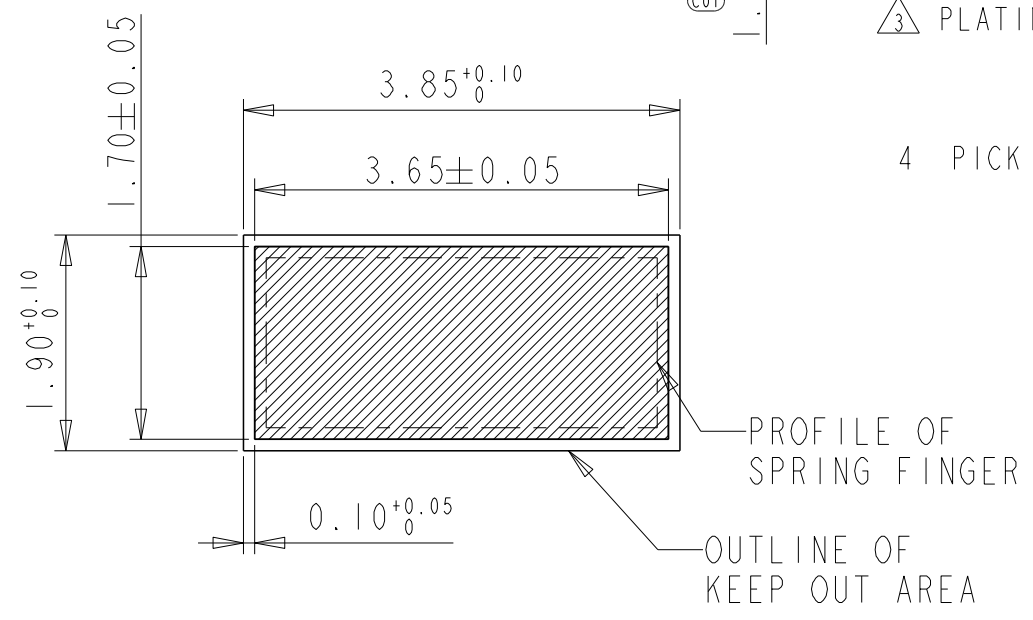


3D VIEW ONLY FOR REFERENCE

TE P/N	DIM A	DIM B	DIM H	DIM I	WORK RANGE	QUANTITY
3-2199250-2	2.9	1.9	2.86	2.44	2.0~2.7	5000
3-2199250-3	3.2	2.2	2.87	2.44	2.3~3.0	4400
3-2199250-4	3.6	2.6	2.92	2.45	2.7~3.3	3000
3-2199250-5	3.8	2.8	2.95	2.46	2.9~3.6	3000

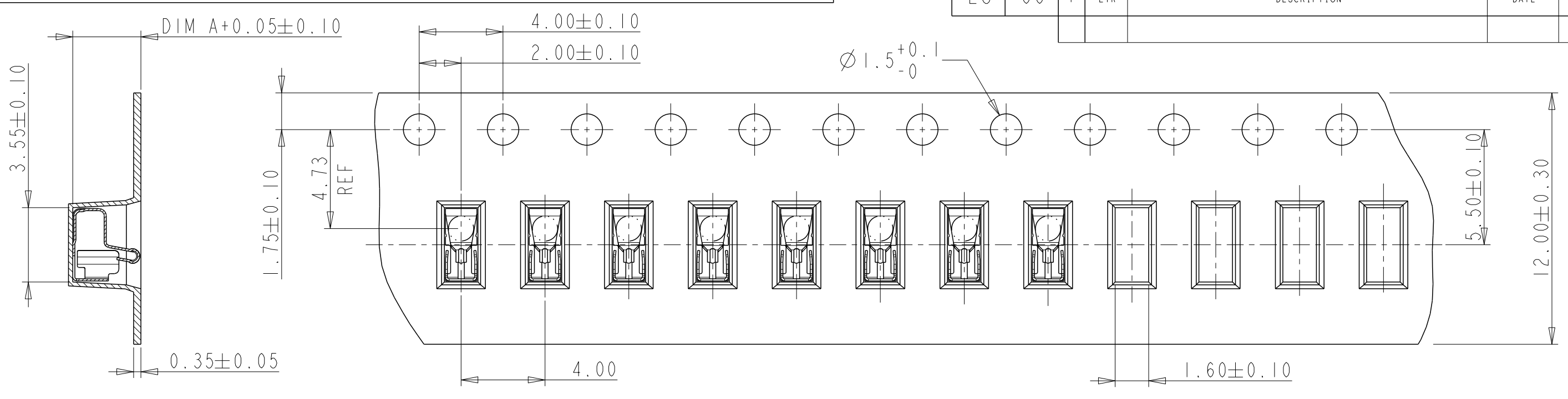


- PART NUMBER: SEE TABLE.
- MATERIAL: COPPER ALLOY, THICKNESS=0.10MM.
- PLATING: 2um MIN. NICKEL UNDERLAYER ALL OVER 0.50um MIN. GOLD ON CONTACT SURFACE GOLD FLASH ON SOLDERING SURFACE
- PICK AND PLACE SURFACE Ø1.2MM.

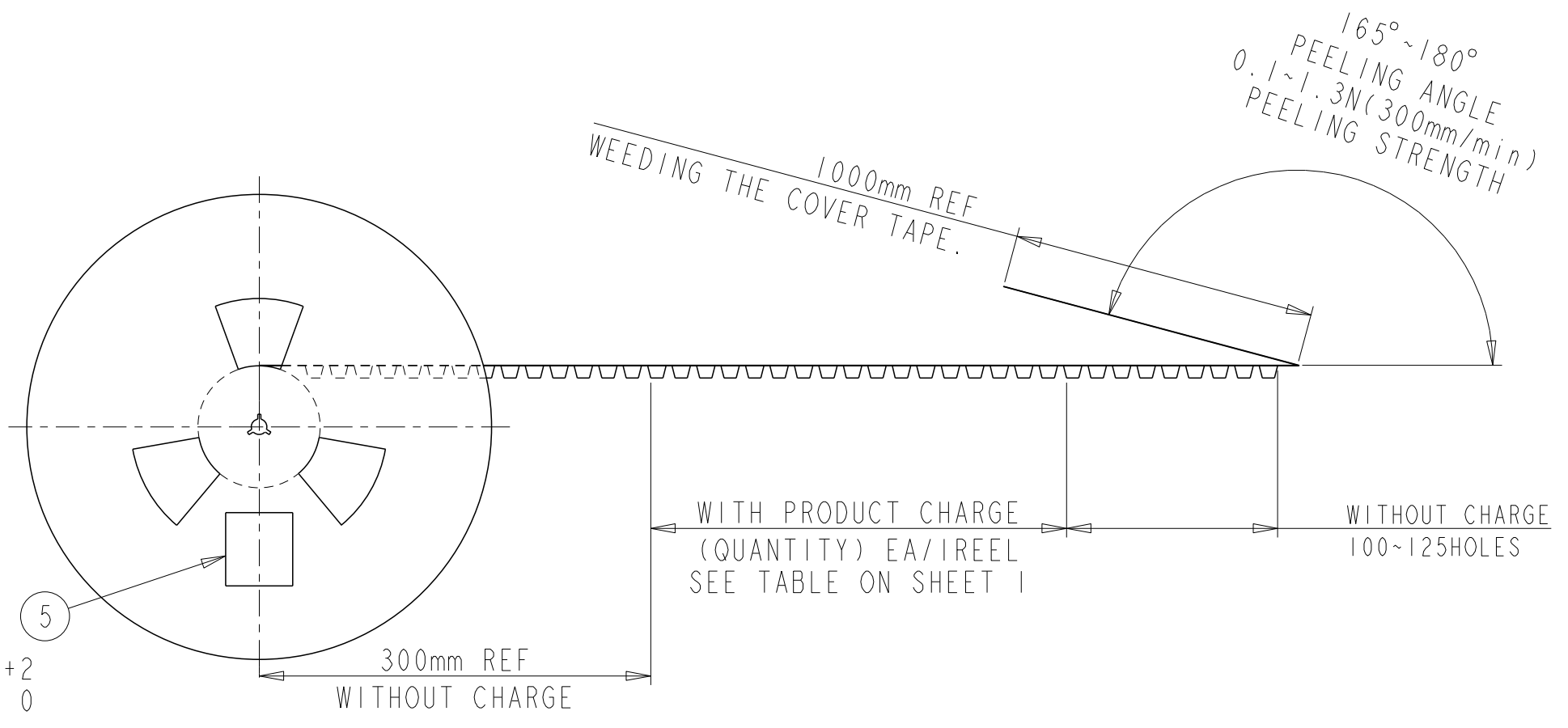
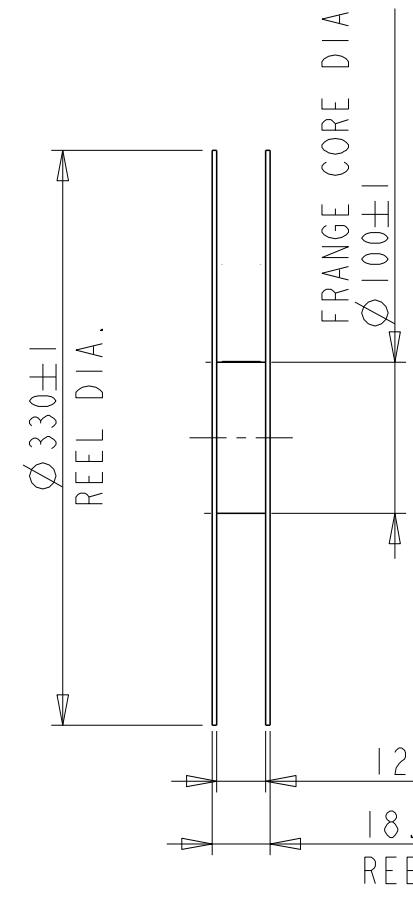


THIS DRAWING IS A CONTROLLED DOCUMENT.		DWN	24MAY2013		TE Connectivity
		CHK	24MAY2013		
		APVD	24MAY2013		NAME SPRING FINGER TYPE C
		PRODUCT SPEC	WENKE HE		
		APPLICATION SPEC	108-115061-1		SIZE A3
		WEIGHT	-		
MATERIAL		FINISH	-		CAGE CODE 00779
DIMENSIONS: mm 		TOLERANCES UNLESS OTHERWISE SPECIFIED: 0 PLC ±0.2 1 PLC ±0.15 2 PLC ±0.15 3 PLC ±0.10 4 PLC ± ANGLES ±5°		DRAWING NO C-2199250	
MATERIAL 2		FINISH 3		RESTRICTED TO -	
CUSTOMER DRAWING			SCALE	N/A	SHEET 1 OF 2 REV A1

LOC ES	DIST 00	REVISIONS		
P	LTR	DESCRIPTION	DATE	DWN APVD



SECTION Z-Z



WITH PRODUCT CHARGE (QUANTITY) EA/IREEL SEE TABLE ON SHEET 1

WITHOUT CHARGE 100~125HOLES

THIS DRAWING IS A CONTROLLED DOCUMENT.		DWN TONY ZHANG 24MAY2013	TE Connectivity	
		CHK XIANG XU 24MAY2013		
		APVD STEVEN YAO 24MAY2013	NAME SPRING FINGER TYPE C	
DIMENSIONS: mm		PRODUCT SPEC 108-115061-1	RESTRICTED TO	
TOLERANCES UNLESS OTHERWISE SPECIFIED:		APPLICATION SPEC -	SIZE A3	CAGE CODE 00779
MATERIAL		WEIGHT -	DRAWING NO C= 2199250	SCALE N/A
		CUSTOMER DRAWING	SHEET 2 OF 2	REV A1