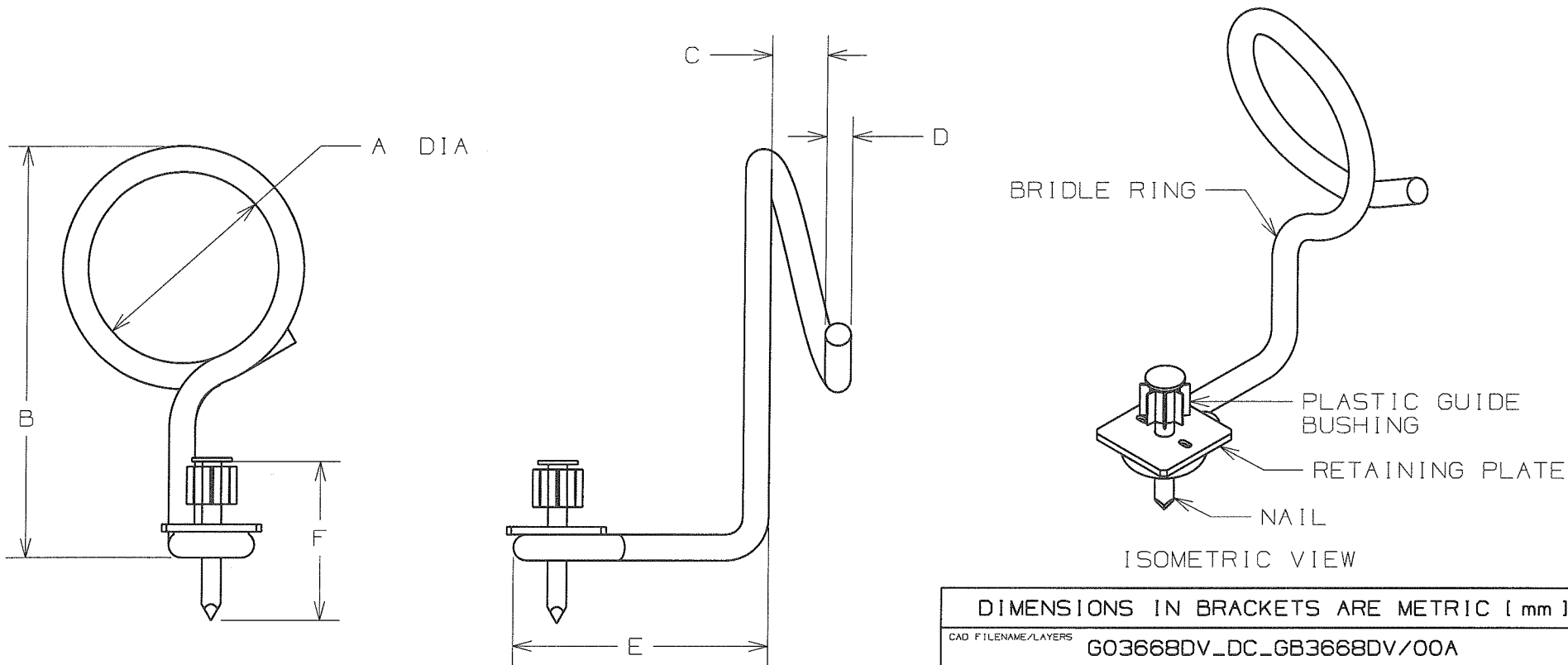


THIS COPY IS PROVIDED ON A RESTRICTED BASIS AND IS NOT TO BE USED IN ANY WAY DETRIMENTAL TO THE INTERESTS OF PANDUIT CORP.

PANDUIT PART NO.	DIMENSIONS						WEIGHT lbs / 50pcs (kg) / 50pcs
	A (REF)	B (REF)	C	D	E (REF)	F	
BR-1.5-PAF	1.50 [38]	3.15 [80]	0.32 [8] MINIMUM	0.209 [5.3] 0.201 [5.1]	2.00 [51]	1.15 [29] 1.35 [34]	5.6 (2.5)
BR-2.0-PAF	2.00 [51]	3.63 [92]	0.32 [8] MINIMUM	0.209 [5.3] 0.201 [5.1]	2.00 [51]	1.15 [29] 1.35 [34]	6.4 (2.9)



- NOTES:
1. SEE CURRENT PRICE SHEET FOR PART NUMBER SUFFIX DESIGNATION FOR PACKAGE SIZE.
 2. PART TO BE SECURED USING POWDER ACTUATED TOOL.

DIMENSIONS IN BRACKETS ARE METRIC [mm]
 CAD FILENAME/LAYERS G03668DV_DC_GB3668DV/OOA

PANDUIT CORP. TINLEY PARK, ILLINOIS

**BR-_-PAF BRIDLE RING
 W/POWDER ACTUATED FASTENER**

UNLESS OTHERWISE SPECIFIED, DIMENSIONAL TOLERANCES ARE:
 (.X) ±0.05 (1.3) (.XXX) ±0.010 (0.25)
 (.XX) ±0.02 (0.5) ANGLES ±5°

UNLESS OTHERWISE SPECIFIED, ALL DIMENSIONS ARE GIVEN IN INCHES, THIRD ANGLE PROJECTION.

DRAWN BY ARHA MAT'L: LOW CARBON STEEL BRIGHT ZINC ELECTROPLATE SCALE NONE
 DATE 09-15-09 DRAWING NO. GB3668DV DWG SIZE A
 CHK'D KEN

REV	DATE	BY	CHK	DESCRIPTION	ECN	R	CUST	SUP
OOA	09/15/09	ARHA	<i>gmk</i>	INITIAL RELEASE	GB3668DV	OOA	<i>KEN</i>	