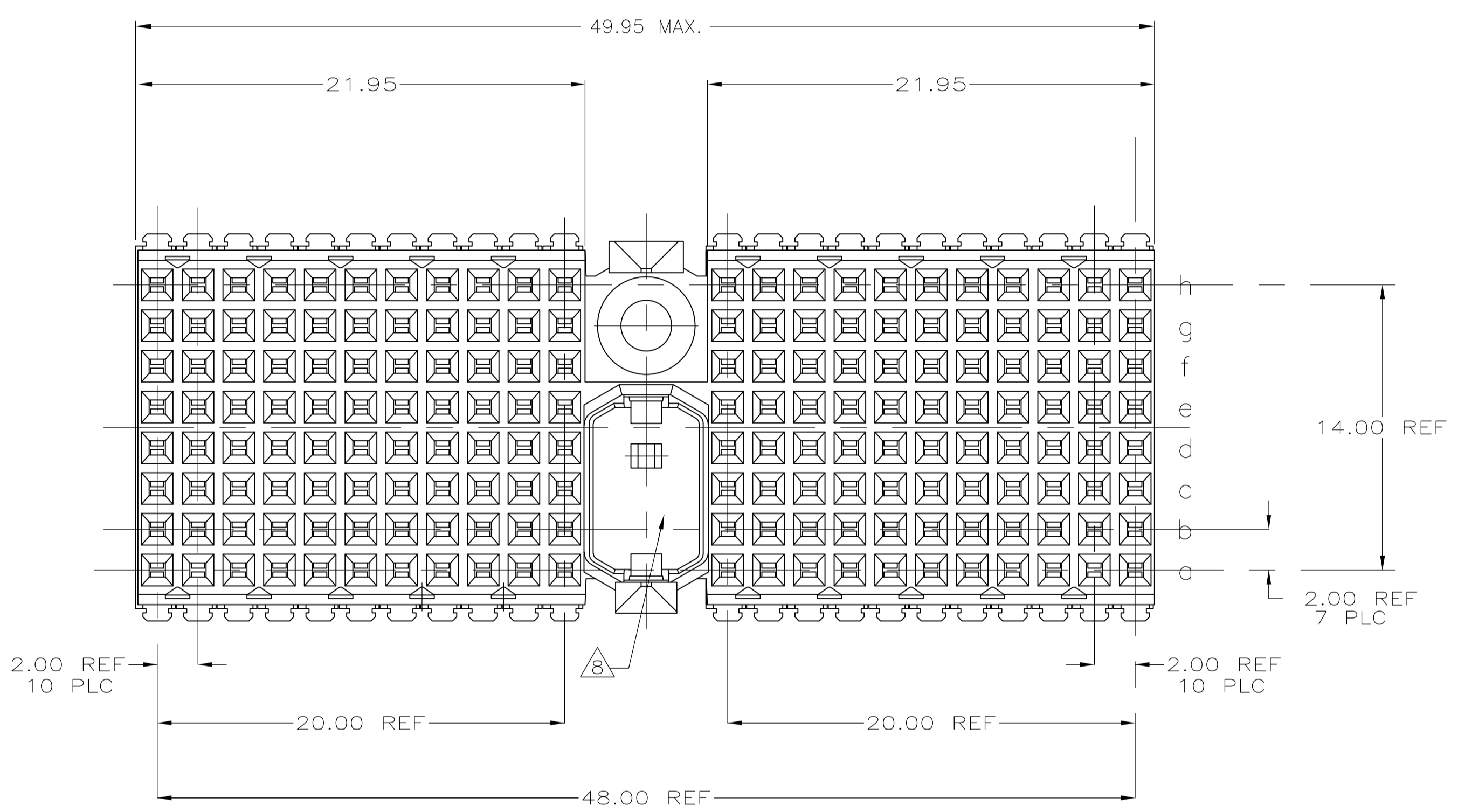
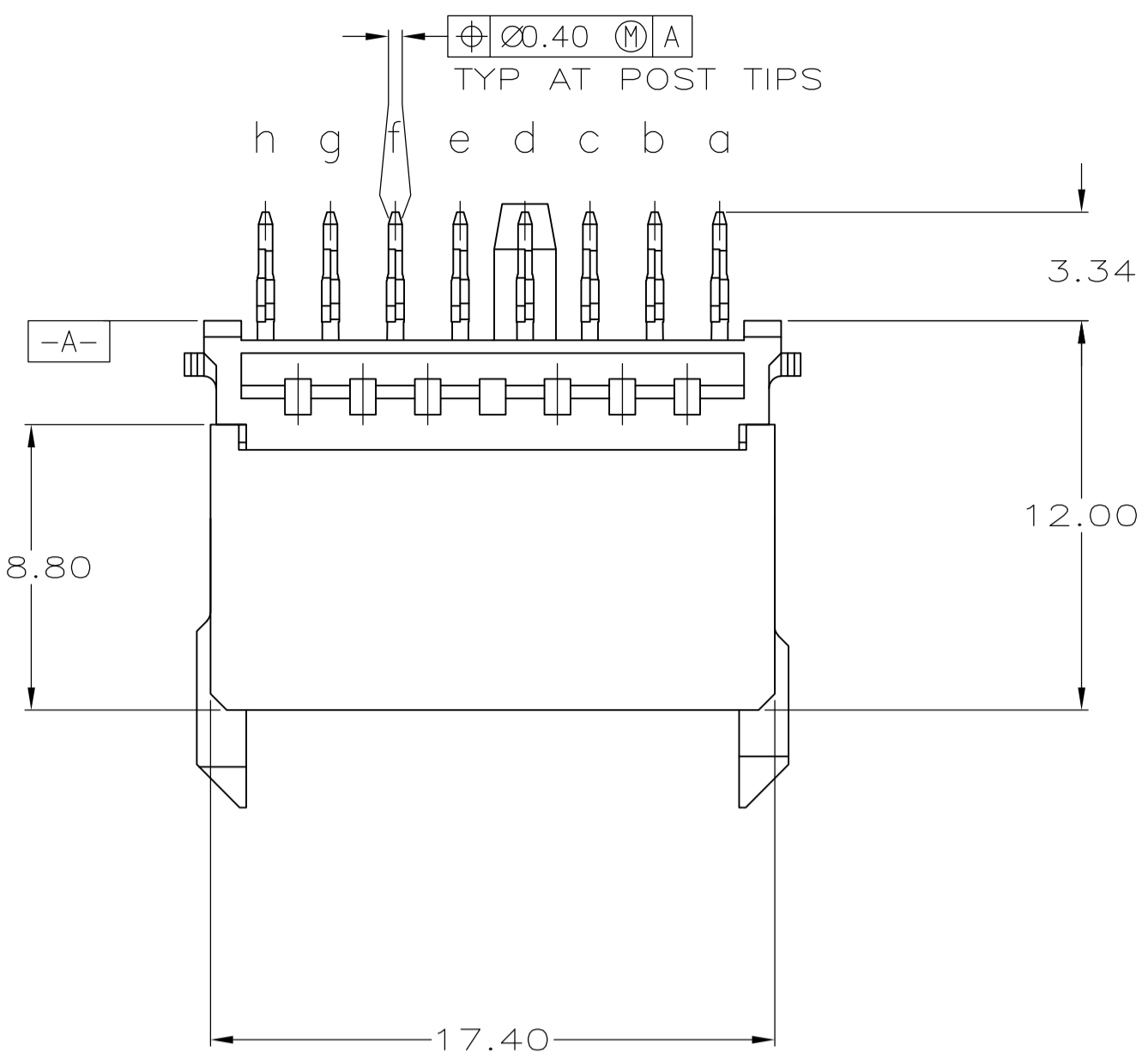
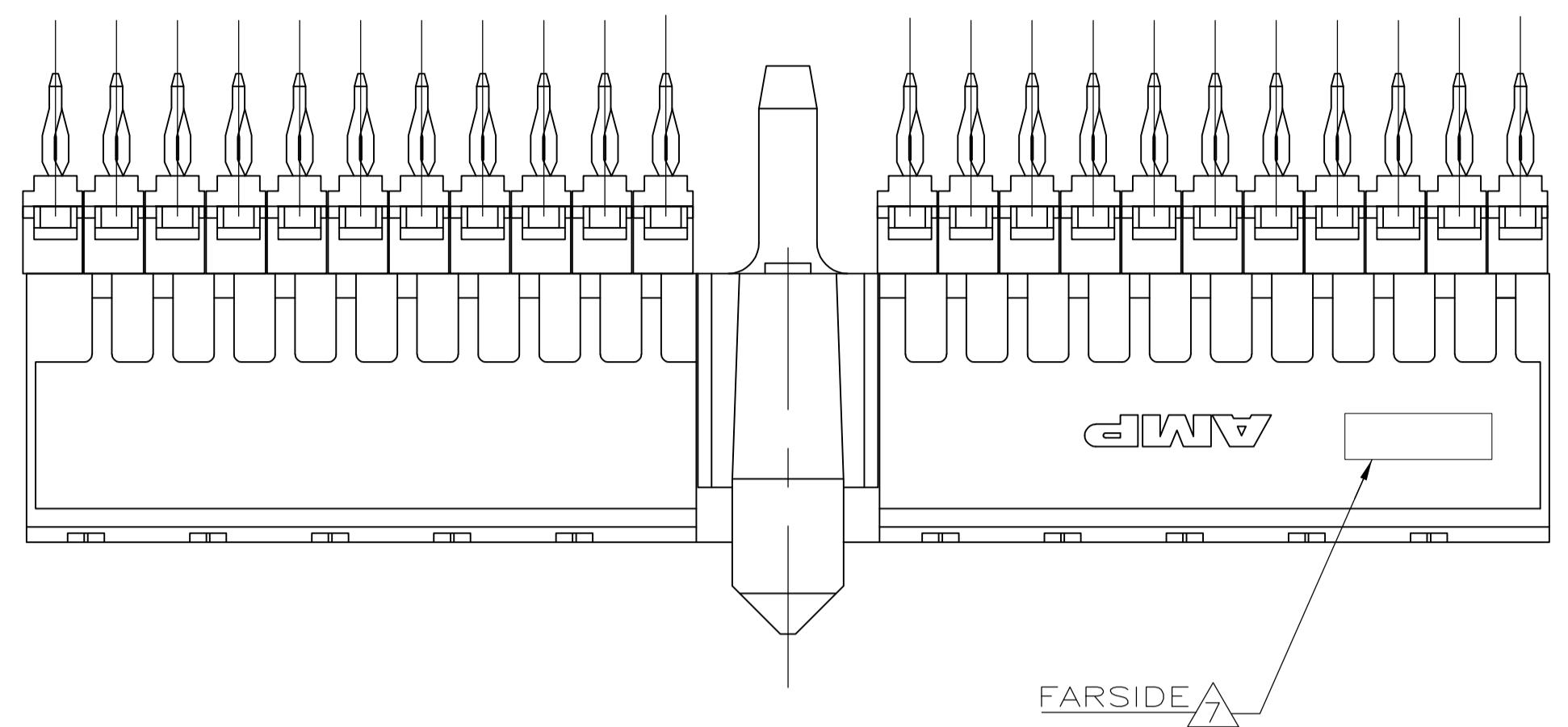
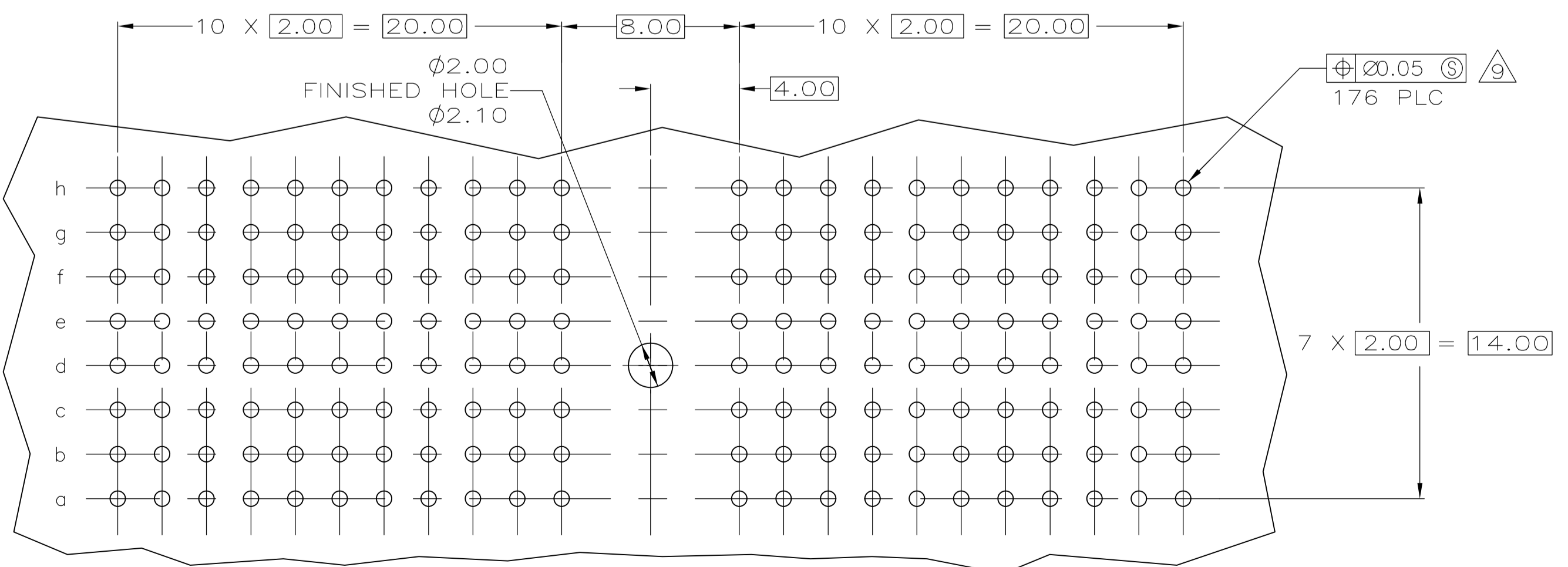


LOC		DIST		REVISIONS			
AD	00	REV	PER	DESCRIPTION	DATE	DMN	APVD
A1		REV PER	ECO-10-000444		02NOV09	KK	AEG
B		ECO-10-018652			10SEP10	JS	MQW
C		ECO-11-024491			13DEC11	SY	MQW



- 1 MATERIAL:
CONTACT: PHOSPHOR BRONZE.
HOUSING: GLASS-FILLED POLYESTER.
- 2 GENERAL PLATING SPECIFICATION: UNDERPLATING (ENTIRE CONTACT): 1.27μm MIN NICKEL AND ACTION PIN: 0.5μm MIN TIN. FOR PLATING OF MATING SURFACES SEE APPLICABLE SPECIFICATION REFERENCE FOR EACH DASH NUMBER.
- 3 CONFORMS TO ALL TESTING ACCORDING TO IEC 61076-4-101 PERFORMANCE LEVEL 2.
- 4 CONFORMS TO ALL TESTING ACCORDING TO IEC 61076-4-101 PERFORMANCE LEVEL 1.
- 5 CONNECTOR TESTED AND QUALIFIED AGAINST TELCORDIA GR-1217-CORE QUALITY LEVEL 3, CENTRAL OFFICE APPLICATIONS.
- 6 CONNECTOR TESTED AND QUALIFIED AGAINST TELCORDIA GR-1217-CORE QUALITY LEVEL 3, UNCONTROLLED ENVIROMENT APPLICATIONS.
- 7 CONNECTOR MARKED WITH PART NUMBER AND DATE CODE. ADDITIONAL CHARACTERS OR MARKINGS, AS WELL AS THE LOCATION OF THE MARKINGS, MAY BE ADDED FOR TRACEABILITY BASED UPON MANUFACTURERS DISCRETION.
- 8 AREA RESERVED FOR KEYING PART (BASIC P.N. 100526).
- 9 PLATED-THROUGH HOLES AT 2x2mm SQUARE GRID 176 HOLES.
- 10 CONNECTOR LUBRICATED WITH BELCORE APPROVED LUBRICANT, TECHNICAL REFERENCE: TR-NWT-001217 ISSUE 1, SEP 1992.
- 11 OBSOLETE PARTS: OBSOLETE CIS STREAMLINING PER D.RENAUD/D.SINISI



PLATED THRU HOLES PARAMETERS
REFERENCE APPLICATION SPECIFICATION

OBSELETE	2/5/10	-1-5646538-9
	2/5/10	5646538-9
OBSELETE	2/4	-5646538-4-
	2/3	5646538-1
FINISH		PART NUMBER

THIS DRAWING IS A CONTROLLED DOCUMENT.

DIMENSIONS: mm	TOLERANCES UNLESS OTHERWISE SPECIFIED:	DIN B. CARBO 29JUL05	Tyco Electronics Corporation
0-PLC ±	1-PLC ±0.2	29JUL05	Harrisburg, PA 17105-3608
2-PLC ±0.13	3-PLC ±0.1	APVD G. SKIPPER 29JUL05	NAME
4-PLC ±0.1	ANGLES ±0.4	PRODUCT SPEC	RECEPTACLE ASSEMBLY, VERTICAL, 176 POSN., TYPE D, 8 ROW, Z-PACK 2mm HM
MATERIAL	FINISH SEE TABLE	APPLICATION SPEC	SIZE
1		114-19029	CAGE CODE
		WEIGHT	DRAWING NO
			A1 00779
		CUSTOMER DRAWING	SCALE 5:1 SHEET 1 OF 1 REV C