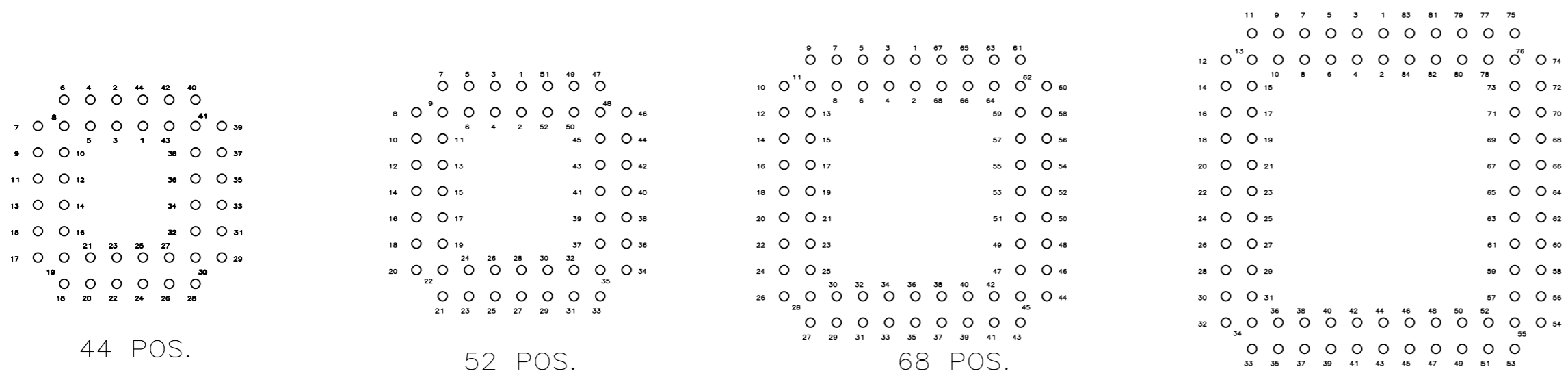


THIS DRAWING IS UNPUBLISHED. RELEASED FOR PUBLICATION
 © COPYRIGHT - By - ALL RIGHTS RESERVED.

LOC		DIST		REVISIONS			
P	LTR	DESCRIPTION		DATE	DWN	APVD	
AD	00	D1	REVISED PER ECO-11-004587		11MAR11	RK	HMR

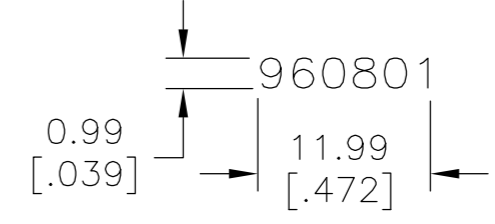


RECOMMENDED HOLE LAYOUT
 TOLERANCE: ±0.05[.002] UNLESS OTHERWISE NOTED

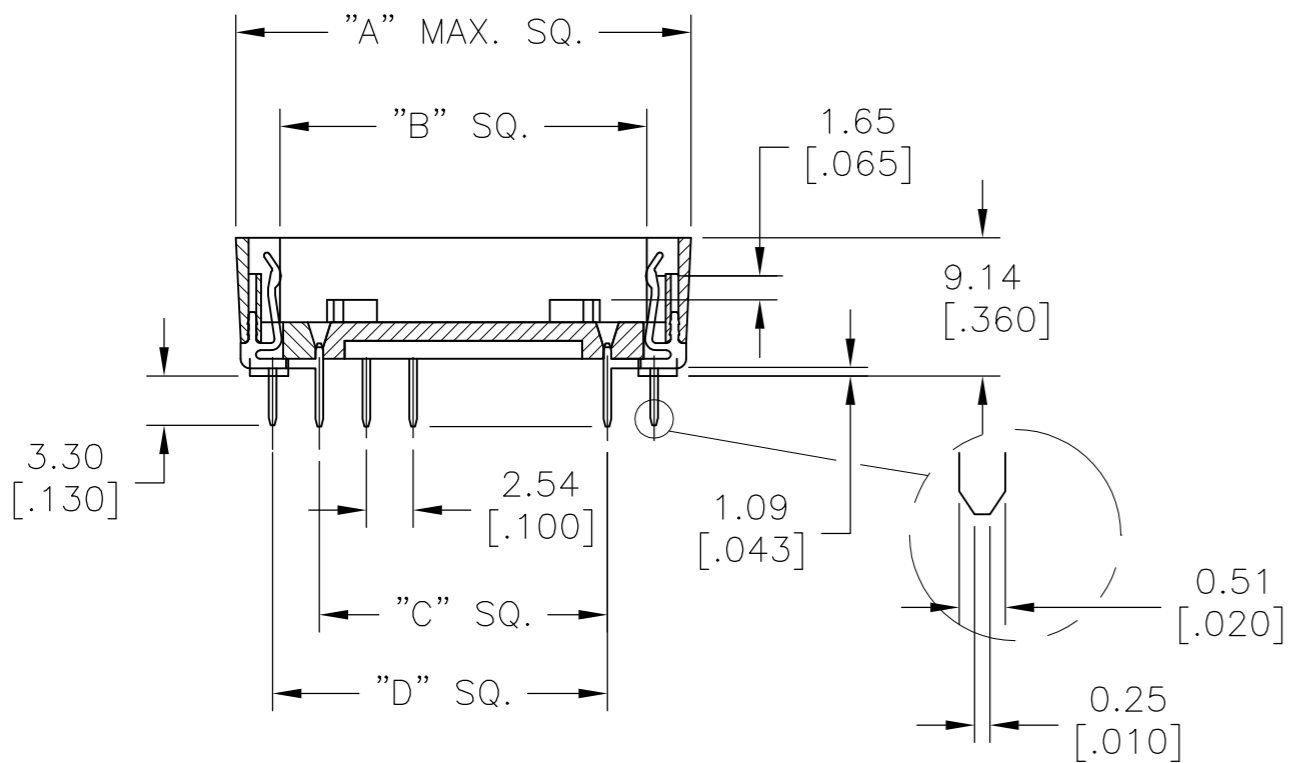
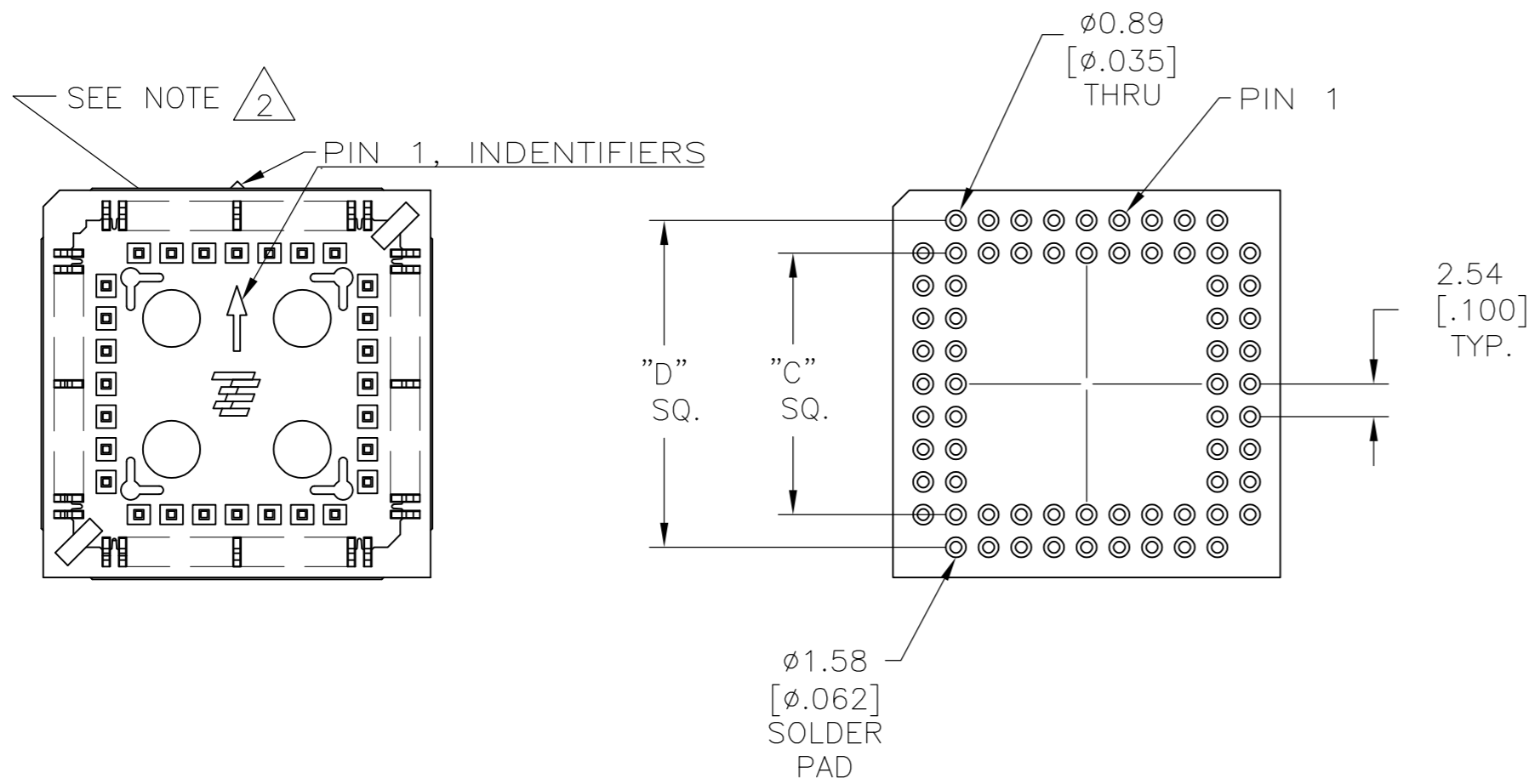
NOTES:

1 MATERIALS:
 CONTACT: COPPER ALLOY, 0.004572[.000180] MIN TIN PLATE
 OVER 0.00127[.000050] MIN NICKEL.
 INSULATOR: PPS, 40% GLASS FILLED, UL 94V-0

2 DATE CODE (PER BELOW) TO BE LASER CODED
 AND CENTERED ON THIS SURFACE.



3. UL RECOGNITION E320916.



PART NO.	POS.	DIM. "A"	DIM. "B"	DIM. "C"	DIM. "D"
1571541-1	44	22.61 [.890]	16.76 [.660]	12.70 [.500]	17.78 [.700]
1571541-2	52	25.15 [.990]	19.30 [.760]	15.24 [.600]	20.32 [.800]
1571541-3	68	30.23 [1.190]	24.38 [.960]	20.32 [.800]	25.40 [1.000]
1571541-4	84	35.31 [1.390]	29.46 [1.160]	25.40 [1.000]	30.48 [1.200]

THIS DRAWING IS A CONTROLLED DOCUMENT.		DWN D. MURREN 26AUG2003	TE Connectivity	
DIMENSIONS: mm [INCHES]		CHK K. WRIGHT 24APR03		
TOLERANCES UNLESS OTHERWISE SPECIFIED:		APVD K. WRIGHT 24APR03	NAME OUTLINE DRAWING PLCC SOCKET	
0 PLC ± - 1 PLC ± 1 2 PLC ± 0.25 [.010] 3 PLC ± - 4 PLC ± - ANGLES ± 1°		PRODUCT SPEC 108-38000	SIZE A2	
MATERIAL		APPLICATION SPEC	CAGE CODE 00779	DRAWING NO. C=1571541
FINISH		WEIGHT	SCALE 2:1	SHEET 1 of 1
1		CUSTOMER DRAWING	RESTRICTED TO -	REV D1