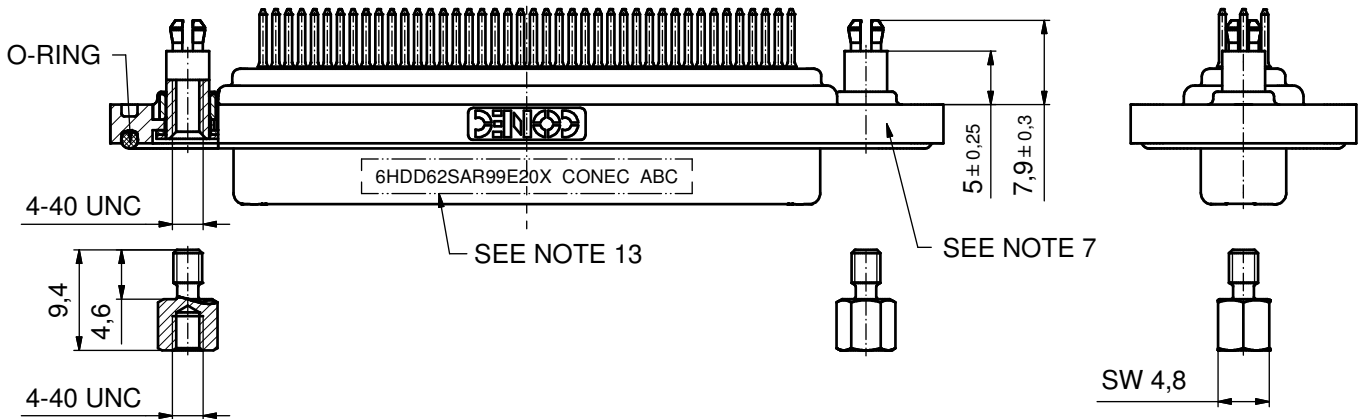
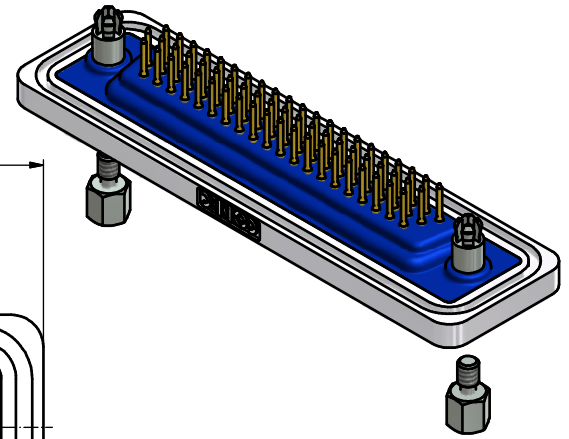
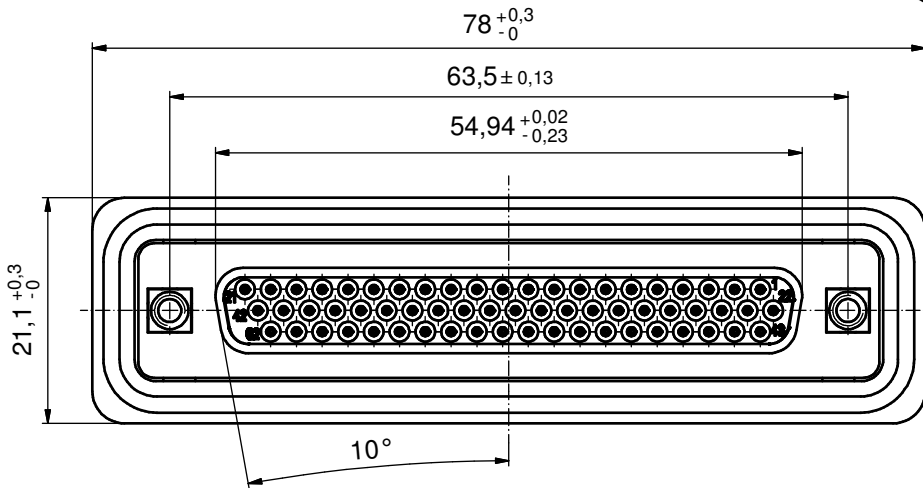
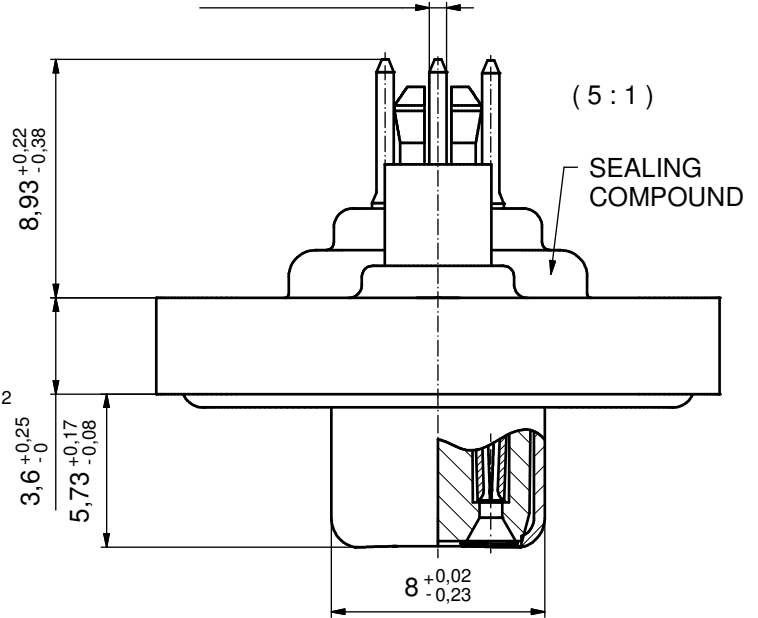


**NOTES:**

1. FOR WAVESOLDERING (SOLDER BATH TEMPERATURE 240°C FOR 5 SEC. AND SOLDER PREHEAT 120°C FOR 120 SEC.)
2. METALSHELLS: COPPER ALLOY; min. 315µin TIN over 40-80µin NICKEL
3. INSULATORS: PBT GF UL 94 V-0, BLACK
4. CONTACTS: COPPER ALLOY  
PLATING: GOLD FLASH over NICKEL
5. THREADED SPACER CLIPS: COPPER ALLOY;  
min. 200µin TIN over 80µin NICKEL  
PCB-HOLE: Ø3,1±0,1; THICKNESS 1,6mm
6. COLLARS: COPPER ALLOY; min. 200µin TIN over 80µin NICKEL
7. FRAME: ZINC DIE CAST; NICKEL PLATED
8. HEXLOCKING SCREW: STAINLESS STEEL
9. O-RING: SILICON; BLUE
10. SEALING COMPOUND: PUR; BLUE
11. P.C.B. HOLE DRILLINGS AND RECOMMENDED PANEL CUT-OUT ON SHEET 2
12. RECOMMENDED TORQUE FOR MOUNTING SCREW 35Ncm (3,1 in.LB)  
/ max. 40Ncm (3,5 in. LB)
13. CONNECTOR IS PART MARKED: 6HDD62SAR99E20X CONEC ABC

AT ALL TIMES WATER RESISTANT CONNECTORS NOT IN USE SHOULD BE COVERED WITH A CONEC WATER RESISTANT CAP OR WATER TIGHT HOOD.

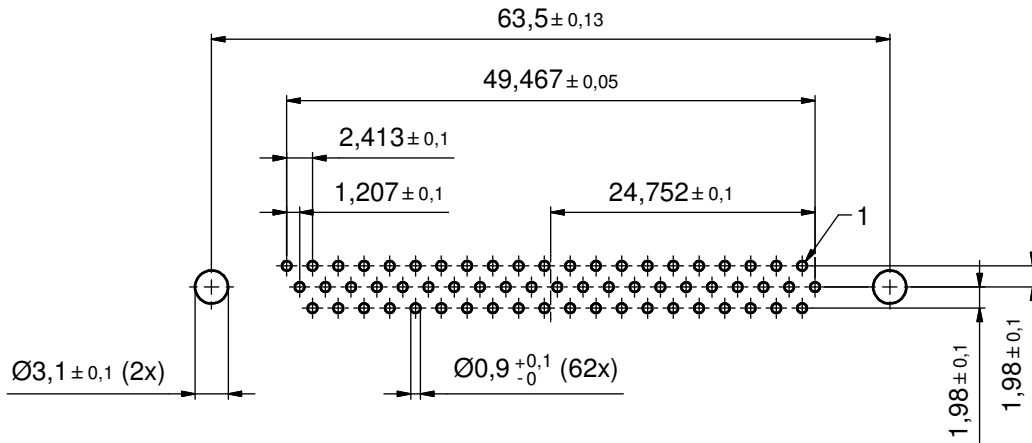
Ø0,65±0,05 (62x)



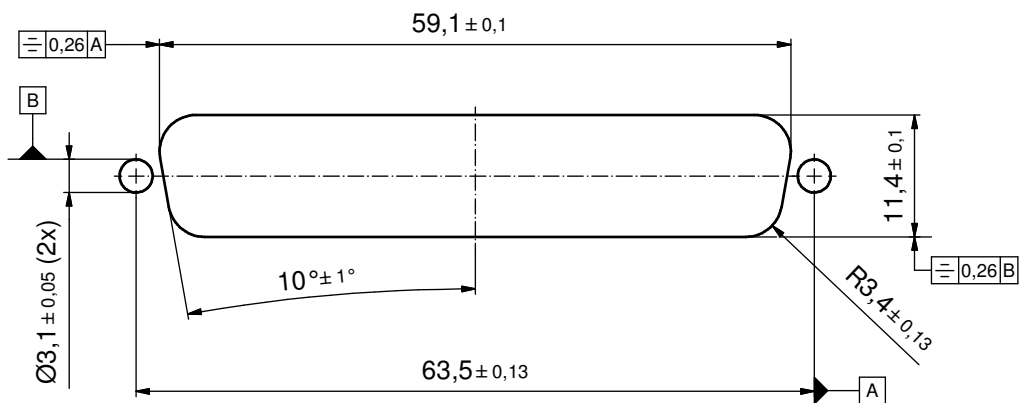
Directive 2002/95/EC RoHS compliant

THIS DRAWING MAY NOT BE COPIED OR REPRODUCED IN ANY WAY, AND MAY NOT BE PASSED ON TO A THIRD PARTY WITHOUT WRITTEN PERMISSION. OWNERSHIP AND COPYRIGHT OF CONEC GmbH DO NOT ALTER CAD DRAWING BY HAND	tolerance		dim. in mm		scale:	2:1	
					material:	SEE NOTES	
	date	name		title:			
	drawn	02.01.12	Henneboel		D-SUB HD FEMALE		
	appd.	03.01.12	Fischer		62pos. SOLDER PIN STRAIGHT		
	norm			with threaded spacer clip and hexlocking screw			
	d-old			dwg no:			
	a	Original	CONEC®		15K1A987		DIN-A3
	rev.	description			date	name	part no: 6HDD62SAR99E20X

P.C.B. HOLE DRILLINGS  
(P.C.B. TOP SIDE)



RECOMMENDED PANEL CUT-OUT



THIS DRAWING MAY NOT BE COPIED OR REPRODUCED IN ANY WAY, AND MAY NOT BE PASSED ON TO A THIRD PARTY WITHOUT WRITTEN PERMISSION. OWNERSHIP AND COPYRIGHT OF CONEC GmbH DO NOT ALTER CAD DRAWING BY HAND				tolerance		scale: 2:1
				dim. in mm		material: see sheet 1
	drawn	02.01.12	Henneboel	date	name	title: <b>P.C.B. HOLE DRILLINGS</b> D-SUB HD FEMALE 62pos. SOLDER PIN with threaded spacer clip and hexlocking screw
	appd.	03.01.12	Fischer			
	norm					
			d-old		dwg no:	DIN-A3
a	Original				15K1A987	sh: 2
rev.	description	date	name	<b>CONEC</b> <sup>®</sup>		part no: SEE SHEET 1